

LUGE: EM-F343

Fanless Intel Celeron M 600MHz / 1GHz embedded system with VGA, S-Video, LAN, USB, Audio, COM and CF

VGA

AUDIO

LAN

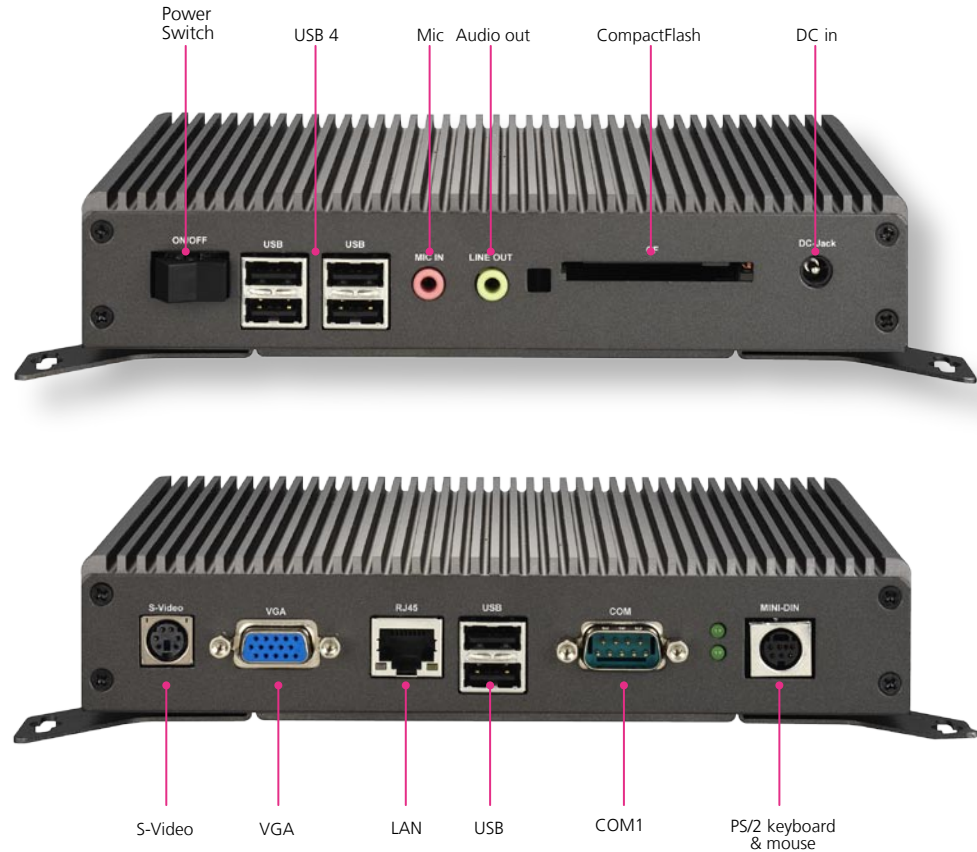
USB

CF

COM

S-Video

DC in



FEATURES

- Robust fanless enclosure
- Slim 36mm case with heat dispersing fins
- -20C to 50C operating temperature
- Intel Celeron M 600MHz or 1GHz onboard CPU
- Supports up to 2GB DDR memory
- VGA and S-Video dual display
- 10/100/1000 Mbps LAN
- USB x 6, COM, Audio
- CompactFlash Type I/II
- Wall or VESA mounting brackets

FLEXIBLE MOUNTING AND DEPLOYMENT OPTIONS

EM-F343 is designed for flexible deployment in any scenario. The EM-F343 offers wall mounts, Rail mounts and industry standard VESA 100 x 100mm support to allow for easy installation in almost any situation.



To provide even more flexibility, Lanner's engineers have built the case of tough aluminum. The top of the case features heat dispersing fins to whisk away heat from the processor and allows the system to operate in harsh environments -from -20C to 50C. Whether you need a machine for digital signage, ATM, POS, or a factory controller, the EM-F343 is built for the task.

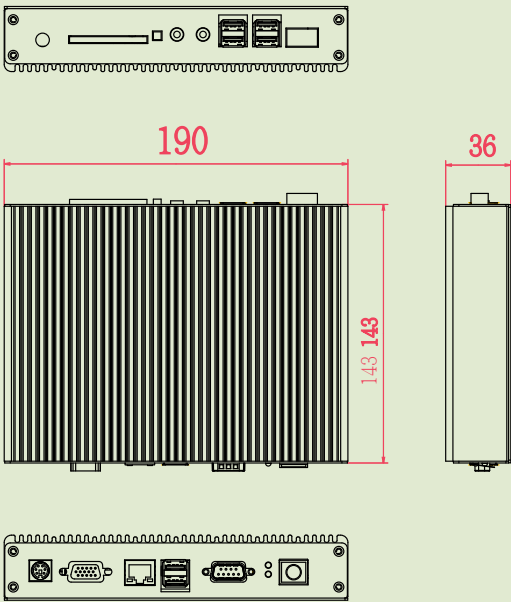
FEATURE DESCRIPTION

| | | |
|---------------------------------|----------------------------------|--|
| Platform | Processor | Onboard Intel Celeron M 600MHz/1GHz |
| | Chipset | Intel 910GMLE + ICH6M |
| | BIOS | AMI Flash BIOS |
| System Memory | Technology | DDR2 SDRAM |
| | Maximum Capacity | 2GB |
| | Socket | 200P SODIMM x1 |
| Storage Interface | CompactFlash I/II | 1 |
| | 2.5" hard drive bay | 1 |
| Networking | Speed | 10/100/1000 Mbps |
| Display | Controller | Intel 910GMLE built-in Intel extreme Graphics |
| Audio | Codec | ALC888 HD 97 Codec |
| | Serial | RS-232 x1 |
| Front I/O | USB 2.0 | 2 |
| | VGA | 1 |
| | S-Video | 1 |
| | LAN | RJ45 x 1 |
| | Keyboard & Mouse | Mini-DIN PS/2 |
| | Power switch | 1 |
| Back IO | USB 2.0 | 4 |
| | Mic In | Audio jack x 1 |
| | Audio out | Audio jack x 1 |
| | CompactFlash | 1 |
| | DC-in | power jack x 1 |
| Expansion | | Mini-PCI |
| Hardware Monitoring | Controller | Winbond W83627 THG integrated Hardware monitor |
| | Watchdog timer | 256 level software programmable watchdog timer |
| OS Supported | | Linux, Windows XP Embedded, Win CE 5.0 |
| Environmental Parameters | Temperature, ambient operating | -20~50°C |
| | Humidity (RH), ambient operating | 5~95% relative humidity, non-condensing |
| | Storage Temperature | -20~70°C (-4~158°F) |
| | Shock | CFD: 100g peak acceleration (6 msec duration) |
| Physical Dimensions | Dimensions | 140D x 190W x 36H mm |
| | Weight | 1.07Kg |
| Power | Input | DC +12V, 60W |
| Compliance | | CE, FCC, RoHS |

ORDERING INFORMATION

| | |
|-----------------|--|
| EM-F343A | Intel Celeron M 600MHz Processor, CF Socket, 2.5" HD Bay |
| EM-F343B | Intel Celeron M 1GHz Processor, CF Socket, 2.5" HD Bay |

DIMENSIONS



About Lanner
 Founded in 1986 and publicly listed (TAIEX 6245) since 2003, Lanner Electronics Inc. is an ISO 9001 certified designer and manufacturer of reliable, frontline security, storage and applied computing platforms and solutions. With headquarters in Taipei, Taiwan and branches in the U.S. and China, Lanner is uniquely positioned to deliver custom technical solutions with localized, value-added service.

Contact information
 Lanner Electronics Inc
 7F, 173, Section 2 Datong road
 Sijhih City, Taipei County 221, Taiwan
T +886 2 86926060
F +886 2 86926101
E sales@lannerinc.com
W www.lannerinc.com