

# LUGE: EM-F345

Fanless Intel® Atom™ 1.6Ghz embedded system with VGA, DVI-D, Dual LAN, USB, COM and CompactFlash or SATA drive support

VGA

DVI-D

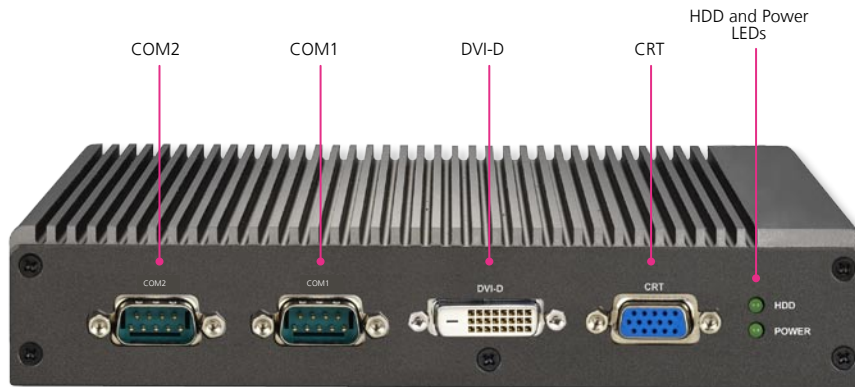
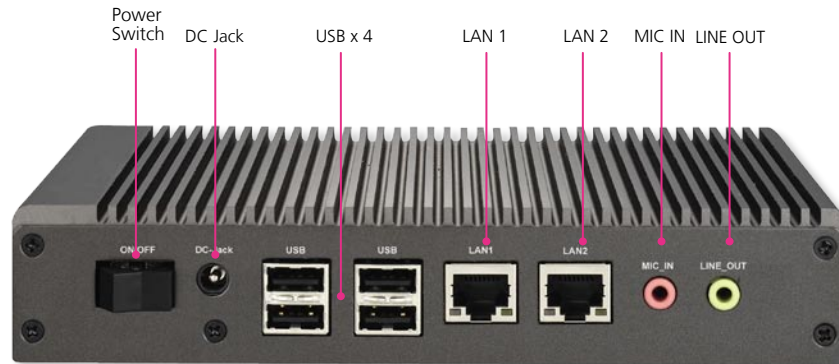
LAN

USB

CF

SATA

COM



## FEATURES

- Intel® Atom™ 1.6 GHz onboard CPU
- Robust fanless enclosure
- Slim 36mm case with heat dispersing fins
- -20°C to 50°C operating temperature
- Supports up to 2GB DDR2 memory
- Dual Display (CRT+DVI-D)
- Dual 10/100/1000 Mbps LAN
- USB x 4, COM x 2
- CompactFlash Type I/II or SATA HDD support
- Wall or VESA mounting brackets optional

## FLEXIBLE MOUNTING AND DEPLOYMENT OPTIONS

The EM-F345 is designed for flexible deployment in any scenario. Its robust fanless design makes the EM-F345 an ideal solution for video applications such as digital signs, outdoor advertising and kiosk systems.

The onboard Intel® Atom™ embedded processor provides unsurpassed performance with very low heat generation and minimal cooling requirements, resulting in improved stability and longevity, and providing a higher return on investment.

To provide even more flexibility, Lanner's engineers have built the case of tough aluminum with heat dispersing fins to whisk away heat from the processor and allow the system to operate in harsh environments - from -20°C to 50°C. Whether you need a machine for digital signage, ATM, POS, or a factory controller, the EM-F345 is built for the task.

**DVI-D**

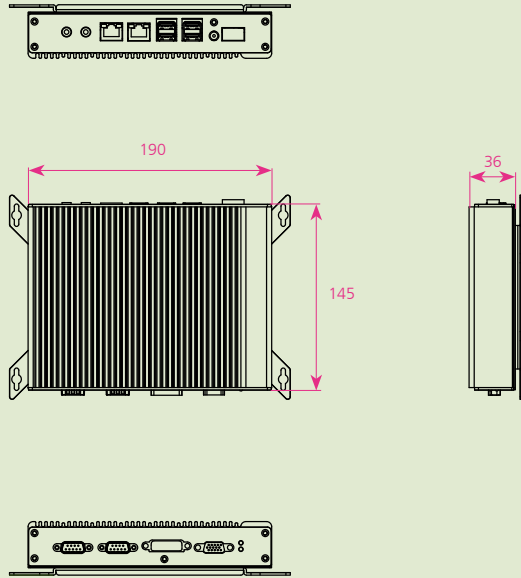
**FEATURE DESCRIPTION**

<b>Platform</b>	Processor	Onboard Intel® Atom™ 1.6 GHz
	Chipset	Intel 945GSE+ICH7M
	BIOS	AMIBIOS with 8Mbit BIOS Flash
<b>System Memory</b>	Technology	DDR2 400/533 SDRAM
	Maximum Capacity	2GB
	Socket	200P SODIMM x1
<b>Storage Interface</b>	CompactFlash I/II	1
	SATA Port	1
<b>Networking</b>	LAN Ports	2
	Speed	10/100/1000 Mbps
<b>Display</b>	Controller	Intel 945GSE built-in Intel Extreme Graphics
<b>Audio</b>	Codec	ALC888 HD Codec
	Serial	2 ports (RS-232/422/435)
<b>Front I/O</b>	VGA	1
	DVI-D	1
<b>Rear IO</b>	Power switch	1
	USB 2.0	4
	LAN	RJ45 x 2
	Mic In / Line Out	1 / 1
<b>Expansion</b>	Optional mini-PCI socket for Mini-PC Wireless Module	
<b>Hardware Monitoring</b>	Controller	Winbond W83627UHG integrated hardware monitor
	Watchdog timer	255 level software programmable watchdog timer
<b>OS Supported</b>	Win XP Embedded, Win XP 32-bit, Win 2000, Linux kernel 2.4.16 or above	
<b>Environmental Parameters</b>	Temperature, ambient operating	-20°~50°C (with industrial components - CF card, memory, adapter) 0~40°C (with 2.5" HDD)
	Humidity (RH), ambient operating	10~95% relative humidity, non-condensing
	Storage Temperature	-20°~70°C (-4°~158°F)
	Shock	CFD: 100g peak acceleration (6 msec duration)
<b>Mounting</b>	Optional Desktop/wall mounting kit	
	Optional VESA mounting kit	
<b>Physical Dimensions</b>	Dimensions	145D x 190W x 36H mm
	Weight	1.07Kg
<b>Power</b>	Input	DC +12V, 60W

**ORDERING INFORMATION**

**EM-F345** Fanless Embedded System with Intel Atom 1.6 GHz CPU onboard, CF Socket, 2.5" SATA HDD Support

**DIMENSIONS**



**About Lanner**

Founded in 1986 and publicly listed (TAIEX 6245) since 2003, Lanner Electronics Inc. is an ISO 9001 certified designer and manufacturer of reliable, frontline security, storage and applied computing platforms and solutions. With headquarters in Taipei, Taiwan and branches in the U.S. and China, Lanner is uniquely positioned to deliver custom technical solutions with localized, value-added service.

**Contact information**

Lanner Electronics Inc  
7F, 173, Section 2 Datong road  
Sijhih City, Taipei County 221, Taiwan

**T** +886 2 86926060

**F** +886 2 86926101

**E** sales@lannerinc.com

**W** www.lannerinc.com