

P1700 SERIES

Perle Modular Branch Office Access Routers



High Performance Router With Dual LAN/WAN Capability For Branch Office Networking

Features and Benefits:

- Modular LAN and WAN interfaces offer flexible configuration to meet evolving network needs
- Point-to-Point Protocol over Ethernet for access to DSL or cable modem broadband networks
- Virtual Private Network (VPN) capabilities for secure, low cost networking
- Compatibility with other vendors' products via industry standard protocols
- Stac LZS data compression increases data throughput up to 600%
- Permanent or dial up ISDN BRI connections
- Integrated security to protect LANs from unauthorised network access
- Auto-configuration to detect Frame Relay parameters for trouble-free connectivity
- Automatic switch-over ISDN backup provides disaster recovery for a leased line connection
- Lifetime warranty for security and peace of mind

Applications

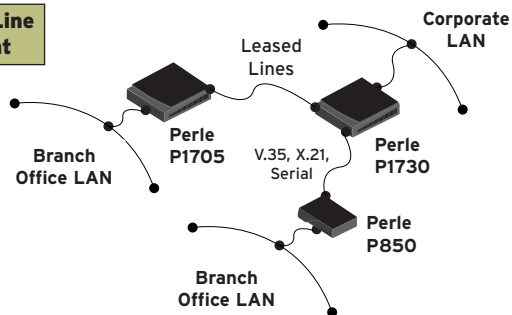
- Central, Branch Office access
- Remote office access to central offices
- Internet Access
- Connectivity to multiple offices

The Perle P1705 and P1730 access routers deliver a routing solution that is flexible, secure and integrates multiple network functions to respond to today's changing business needs. These routers offer the best cost of ownership in the industry for midmarket and small office networks.

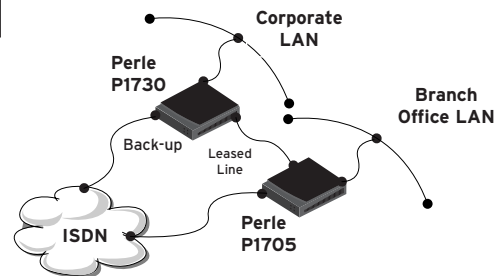
Connectivity Options

The P1700 Series routers support up to two WAN and LAN interface cards for links to ISDN networks, serial data connections, 56/64K DDS services and high speed T1/E1 circuits, as well as multiple links to local area networks. P1700 installations frequently use a single high speed port for normal data connections, and install ISDN for the second port. If the primary connection fails, the P1700 router automatically restores critical network connectivity through the ISDN line and saves the cost of administrator intervention.

Dual Leased Line Environment



Leased Line with Back-up



The P1705 is aimed at cost conscious 10Mbps networks that require full functional routing and included VPN.

The P1730 has all the features and functionality of the P1705 with the additional benefit of 10/100 Mbps LAN connection, PPPoE and optional VPN.

Security

Perle routers ensure data privacy with secure user authentication, firewalls, monitoring, configurable PPP security levels and other features. Optional VPN software ensures secured data gets to its intended audience and to no-one else.

Management

The Perle P1700 Series routers support administrator management from a range of platforms and applications. By utilising the Perle router configuration tools, such as the easy-to-use menuing system and the automatic self configuration of the Frame Relay and leased line interfaces, administrators can very quickly set up the routers at local and remote sites for immediate productivity.

Class Leading Service and Support

The Perle P1700 Series are backed by the best service and support in the industry including Perle's unique lifetime warranty.

Technical Specification

Routing Protocols

- IP, IPX
- RIP, RIP2
- SAP - Convert SAP learned services to static
- Static ARP, Proxy ARP
- ICMP

Bridging Protocols

- 802.3/Ethernet – Transparent MAC layer bridging
- 802.1D – STP

WAN Protocols

- PPP (PPP-ML)
- Frame Relay RFC 1490
- Frame Relay PPP
- PPPoE RFC 2516 (P1730)

Other Protocols

- UDP, TCP, TFTP
- Bootstrap Protocol Relay Agent (BootP Relay, DHCP Relay)
- NAT, NAPT, Reverse NAPT
- DHCP
- BCP, CCP, BACP

Frame Relay Features

- Support for up to 128 DLCIs
- LMI Support for Annex A (ANSI), Annex D (ITU), LMI Type, and None
- Default Learning of LMI type
- Auto Learning of Frame Relay DLCIs

Security

- PAP, CHAP, NetSAFE Firewall
- VPN 1705: IPSec, DES/3DES
- VPN 1730 (optional): IPSec, DES/3DES, IKE

ISDN Features

- ISDN PPP Digital Leased Circuit 128 Kbps
- 56Kbps Rate Adaptation (v.110)
- Bandwidth on Demand
- Protocol Spooling
- ISDN Call Management
- ISDN Diagnostics
- Backup - Mixed ISDN Services
- ISDN PPP Switched/Permanent Channels

ISDN Bandwidth Management

- Transparent link activation/deactivation on:
 - Time of day
 - IP and/or IPX destination address
 - LAN Traffic, automatic activation of 2nd link on mail link threshold

QoS

- Priority Queuing

Network Management

- SNMP, MIB II, Bridge MIB, Telnet, Local RS-232 console port

Compression

- Stac LZS compression

LAN Interface

- 10/100 Mbps Ethernet RJ45 (P1730)
- 10 Mbps Ethernet RJ45 (P1705)

WAN Interfaces

- Up to 4.096 Mbps (2 WAN interfaces combined)
- Automatic self configuration of leased line ports from default profiles

Telecoms Approval

- Europe : CE Telecom CTR3
- USA : FCC Part 68

Dimensions:

- 250 x 280 x 50 mm (W x D x H)

Weight:

- 4 Kg

Temperature:

- 2°C to 50°C

Humidity:

- 20% to 80% non-condensing

Power:

- 80-240 VAC 50-60Hz
- 20 watts maximum

Warranty

- Limited lifetime warranty

Technical Support

End User

- Free 60 day access to Perle's hotline technical support for all registered new products.

www.perle.com/support/warranty_reg.html

Value Added Resellers / Distribution Partners

- Free access to Perle's hotline technical support for all registered partners.

www.perle.com/partners/index.html

Maintenance Agreement

- To ensure rapid system recovery, maintenance agreements are available for Perle hardware. These include on-site service or express part replacement in many areas, and free access to hotline technical support.

www.perle.com/support/service_sales.html

Free Software

- Perle provides free software upgrades to registered users via Perle's Web site.

www.perle.com/downloads

Visit the Perle Web site for up-to-date product support and technical information.

www.perle.com/products

Ordering Information

For Product Codes and Model Descriptions, please visit Perle's web site at www.perle.com/products and select Product Family Routers

P1700 Series

Model	VPN
P1705	•
P1730	
P1730-V	•

Optional LAN Modules

Model	1705	1730
10BaseT (RJ45)	•	•
10Base2 (BNC)	•	
10Base5 (AUI)	•	

Optional WAN Modules

V.24	ISDN S/T
V.35	ISDN U
RS422/RS530	56/64K CSU/DSU
X.21	T1/E1 CSU/DSU
G.703	



Headquarter Germany:
 SPHINX Computer Vertriebs GmbH
 Phone: +49 (0) 6201 75437
www.sphinxcomputer.de
mail@sphinxcomputer.de

Subsidiary France:
 SPHINX Connect France
 Phone: +33 (0) 2 51 09 26 60
www.sphinxconnect.com
mail@sphinxconnect.com

Subsidiary Germany:
 SPHINX Connect GmbH
 Phone: +49 (0) 711 7287 5750
www.sphinxconnect.de
mail@sphinxconnect.de

Branch Office Belgium
 Phone: +32 26 39 39 48
www.sphinxconnect.com
belnelux@sphinxconnect.com

Subsidiary Austria:
 S-Connect Vertriebs GmbH
 Phone: +43 (1) 504 84 78 0
www.s-connect.at
mail@s-connect.at

Branch Office Spain
 Phone: +34 913 109 823
www.s-connect-espana.com
mail@s-connect-espana.com

Subsidiary Great Britain:
 S-Connect Ltd.
 Phone: +44 (0) 1276 203 10
www.s-connect.ltd.uk
mail@s-connect.ltd.uk

Sales Partner Switzerland:
 VISONET AG
 Phone: +41 41 768 05 80
www.visonet.ch
info@visonet.ch