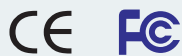
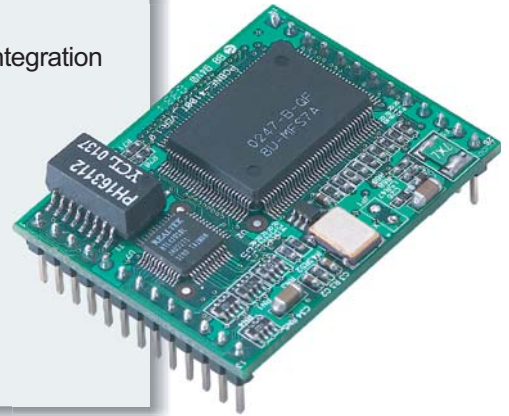


NE-4100T

10/100M Ethernet Network Enabler for Serial (TTL) Devices

- Serial (TTL) to 10/100M auto-sensing Ethernet drop-in module for embedded device networking
- Compact size (45x36 mm) and Dual-In-Line 26-pin headers for easy integration
- Ready-to-use TCP/IP firmware for fast integration
- TCP Server, TCP Client, UDP, Real COM driver operation modes
- Easy configuration from Web browser, serial console and Windows utility
- Low power consumption (1.5W)
- Dedicated 4 GPIO for user's applications
- C-Programmable version available



Overview

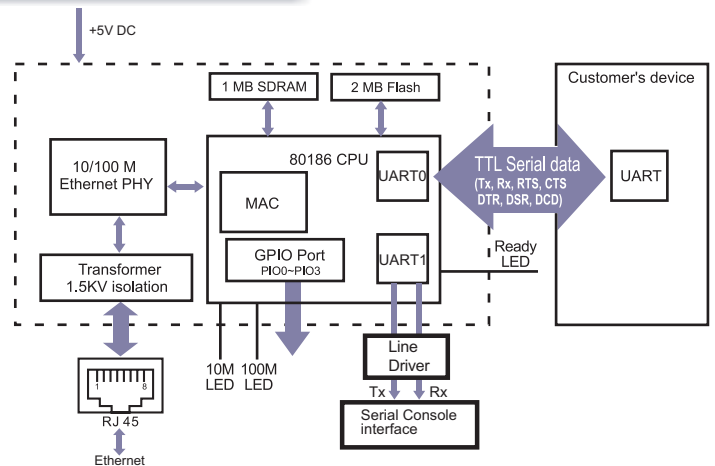
NE-4100T offers a complete Ethernet connectivity solution (such as TCP Server, TCP Client, UDP) to network-enable your serial devices. With its compact size—only 45 x 36 mm, or less than half the size of your credit card—you can easily integrate NE-4100T into your serial device to make the device 10/100M Ethernet-ready.

Industrial-proven, built-in TCP/IP stack

NE-4100T's industrial-proven, built-in TCP/IP stack makes it easy for your R&D engineers to network-enable your serial device since they won't need to put a lot of effort into TCP/IP programming. This means that they can dedicate the majority of their time to developing other important features, and you can reduce your time to market. The 10/100M Ethernet auto-sensing interface lets your device use the higher 100 Mbps access speed when available. In addition, NE-4100T's 4 GPIO pins provide ample design flexibility, giving you the freedom to develop the features your customers need. NE-4100T's 5V design is better suited for today's equipment, and R&D engineers can spend less effort implementing the power circuit.

User-friendly configuration options

Configuration is done with a user-friendly Windows utility, Web browser, Telnet console, or serial console. In addition, a Windows-based NECI (Network Enabler Configuration Interface) Library is available to help you develop your own Windows utilities.



Shorter time to market

NE-4100T has a standard pin space (0.254 mm) with a dual-in-line, 26-pin design that lets you shorten the layout time and get your product to market in no time. The built-in transformer ensures a noise-free signal, and also saves time and space when designing the Ethernet circuit.

Programmable version meets your customization needs

A C-programmable version is also available for customized applications such as protocol conversion and front-end data processing. The NE-4100 series Software Development Kit (SDK) includes a Turbo C compiler and more than 100 Application Program Interface (API) functions for socket command and serial port control, and self-explanatory example programs are available to reduce your software developing time.

An NE-4100T-ST Starter Kit that includes everything you need to develop your application is also available. The Starter Kit includes an evaluation board, SDK, documentation, cables, and accessories.

