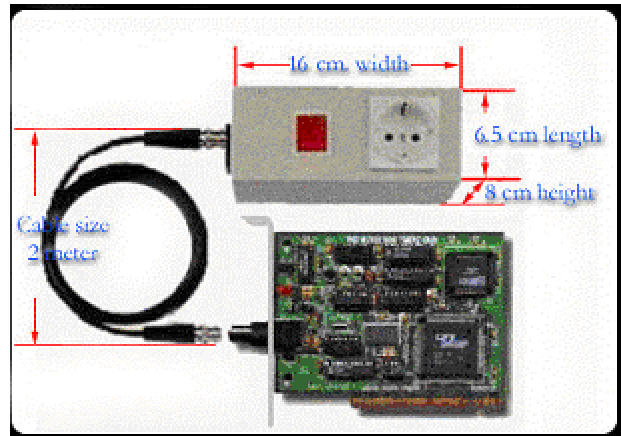


# PCI WATCHDOG CARD I & II



## SOFTWARE UTILITY TECHNICAL INFORMATION

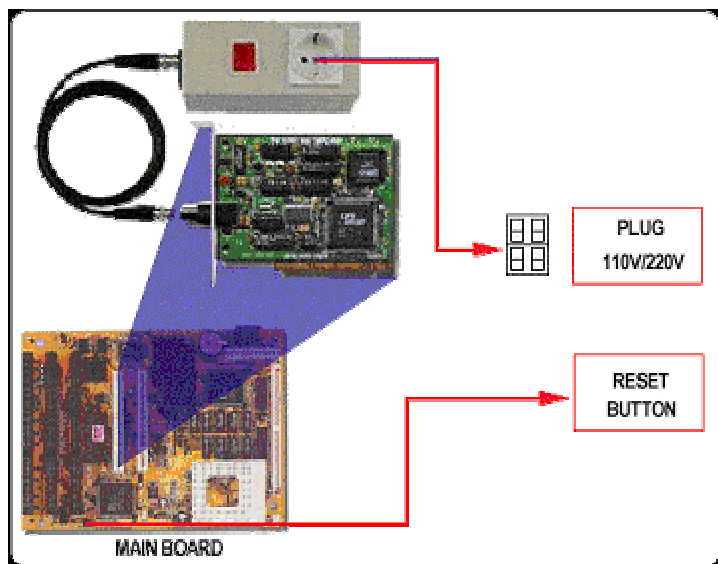
<b>FOR WINDOWS SUPPORT</b>	<b>MAIN FUNCTION</b>
<b>A. HOW TO SETUP AUTO START UP</b>	To make the program run automatically upon start-up of the PC.
<b>B. HOW TO BYPASS PASSWORD</b>	Provides automatic access to network connection. It bypass the network login password.
<b>C. AUTO MONITORING</b>	This application software is designed to use for PCI Watchdog Card. It will continuously monitor critical specified application software on PC running function. When specified application software fault occurs, the card will automatically generates off power box or reset main board and reboot PC.
<b>D. REMOTE WATCHDOG</b>	Remote Watchdog Application Software is design to monitor the remote server side. Its function is to send data's and information that the remote side will monitor
<b>E. LOCAL WATCHDOG</b>	This basic software is designer to use for PCI Watchdog Card. It will continuously monitor PC critical counter function. When a fault occurs, the card will automatically generates off power box or reset main board and reboot PC.
<b>F. WATCHDOG FILE SYSTEM</b>	This application software is design to use PCI Watchdog Card. It will continuously monitor critical specified file, if the file not updated on time or size never changed on time, the card will automatically generates off power box or reset main board and reboot PC.

<b>FOR DOS</b>	<b>MAIN FUNCTION</b>
A.TEST SOFTWARE	Test software with source code.

<b>FOR LINUX SUPPORT:</b>	<b>MAIN FUNCTION</b>
<b>A. DEVICE DRIVER</b>	How to install PCI Watchdog Device Driver using LINUX operating system
<b>B. LOCAL WATCHDOG</b>	This basic software is designer to use for PCI Watchdog Card. It will continuously monitor PC critical counter function. When a fault occurs, the card will automatically generates off power box or reset main board and reboot PC

The PCI watchdog card only requires that you have a PCI slot available and a PC with a reset switch. The reset cable is disconnected from the motherboard and plugged into the PCI watchdog card. A cable is provided to go from the watchdog board to the motherboard. When the PC locks up and the watchdog times out, then it will perform the equivalent of a push-button reset

The PCI Watchdog ships with powerful application & utility programs for control of the board or to make the user can interface their own program to make it work perfectly. Source code is provided for all included software. The watchdog works with most any operating system on a PC. The OCX and drivers are provided for Visual "C" and Visual Basic or any programming language under Win 98-NT & 2000. It also has LINUX support very soon



**Headquarter Germany:**  
SPHINX Computer Vertriebs GmbH  
Phone: +49 (0) 6201 75437  
www.sphinxcomputer.de  
mail@sphinxcomputer.de

**Subsidiary France:**  
SPHINX Connect France  
Phone: +33 (0) 2 51 09 26 60  
www.sphinxconnect.com  
mail@sphinxconnect.com

**Subsidiary Germany:**  
SPHINX Connect GmbH  
Phone: +49 (0) 711 7287 5750  
www.sphinxconnect.de  
mail@sphinxconnect.de

**Branch Office Belgium**  
Phone: +32 26 39 39 48  
www.sphinxconnect.com  
benelux@sphinxconnect.com

**Subsidiary Austria:**  
S-Connect Vertriebs GmbH  
Phone: +43 (1) 504 84 78 0  
www.s-connect.at  
mail@s-connect.at

**Branch Office Spain**  
Phone: +34 913 109 823  
www.s-connect-espana.com  
mail@s-connect-espana.com

**Subsidiary Great Britain:**  
S-Connect Ltd.  
Phone: +44 (0) 1276 203 10  
www.s-connect.ltd.uk  
mail@s-connect.ltd.uk

**Sales Partner Switzerland:**  
VISONET AG  
Phone: +41 41 768 05 80  
www.visonet.ch  
info@visonet.ch