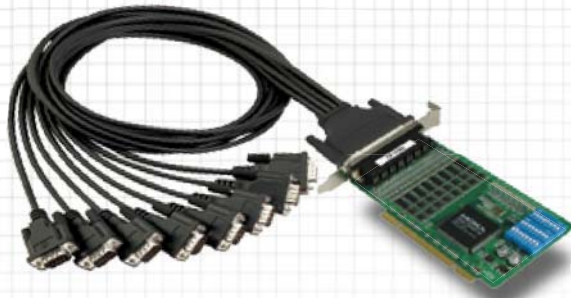


# CP-118U

## 8-port RS-232/422/485 Universal PCI Smart Serial Board



### Features

- Over 700 Kbps data throughput, for top performance
- Serial communication speed up to 921.6 Kbps
- 128-byte FIFO and on-chip H/W, S/W flow control
- Universal PCI compatible with 3.3/5V PCI and PCI-X
- Various connection cables/boxes for RS-232/422/485
- Windows 2003/XP/2000/98/ME, Linux, Unix driver support
- On-board 15 KV ESD protection



### Overview

CP-118U is a Smart Universal PCI Multiport Serial Board designed for POS and ATM applications, and for use by industrial automation system manufacturers and system integrators. CP-118U is compatible with all popular operating systems, and each of its 8 RS-232/422/485 serial ports

supports data rates up to 921.6 Kbps. CP-118U provides full modem control signals, ensuring compatibility with a wide range of serial peripherals. In addition, CP-118U works with both 3.3V and 5V PCI buses, allowing the board to be installed in virtually any available PC server.

### Specifications

#### Hardware

**Connectors:** Female DB62

**Comm. Controller:** MU860 (16C550C compatible)

#### Interface

**Bus Interface:** 32-bit Universal PCI

**Number of Ports:** 8

**Max No. of Boards:** 4 (only one IRQ required)

#### Signals

**RS-232:** TxD, RxD, RTS, CTS, DTR, DSR, DCD, GND

**RS-422:** TxD+(B), TxD-(A), RxD+(B), RxD-(A), GND

**4w RS-485:** TxD+(B), TxD-(A), RxD+(B), RxD-(A), GND

**2w RS-485:** Data+(B), Data-(A), GND

#### Performance

**Baudrate:** 50 bps to 921.6 Kbps

#### Configuration

**Data Bits:** 5, 6, 7, 8

**Stop Bits:** 1, 1.5, 2

**I/O address/IRQ:** BIOS assigned

**Parity:** None, Even, Odd, Space, Mark

**Flow Control:** RTS/CTS, XON/XOFF

#### Power and Environment

**Power Requirement:**

240 mA (+5V, RS-232), 300 mA (+5V, RS-422)

**Operating Temperature:** 0 to 55°C (32 to 131°F)

**Operating Humidity:** 5 to 95% RH

**Storage Temperature:** -20 to 85°C (-4 to 185°F)

**Surge Protection:** Embedded 15 KV ESD Surge Protection

#### Regulatory Approvals

EN55022 Class B, EN55024, EN6100-3-2, EN61000-3-3,

FCC Part 15 Class B

**Warranty:** 5 years

### Ordering Information

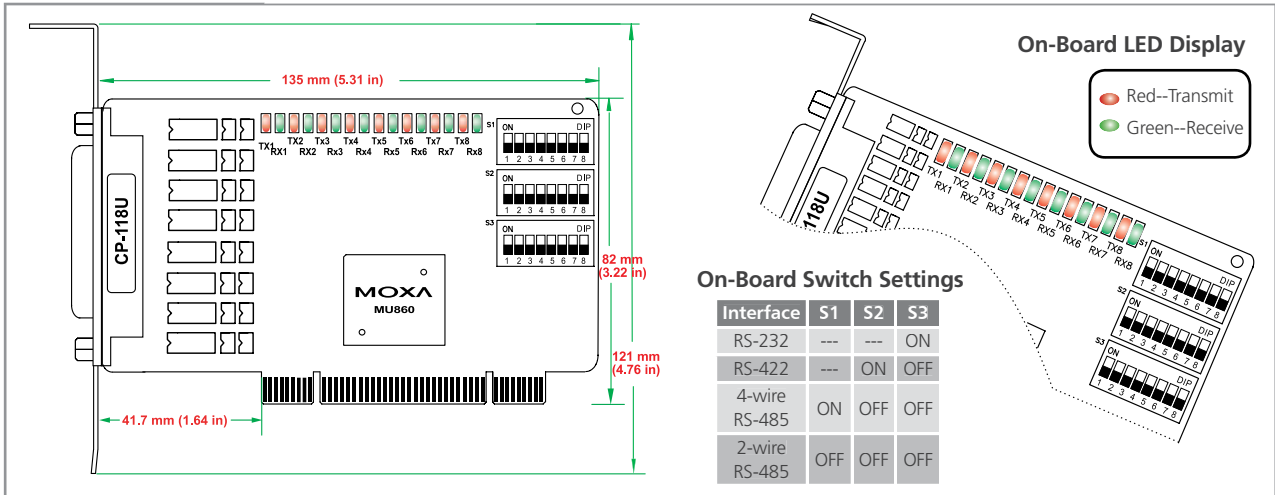
**CP-118U:** 8-port RS-232/422/485 Universal PCI Smart Serial Board

#### All items include

- CP-118U board with standard bracket
- Document & Software CD-ROM
- Quick Installation Guide

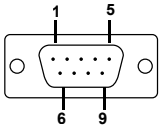
#### Optional Accessories (choose one per board)

\*Refer to Page 2-25



### Connection Options

#### Male DB9



| PIN | RS-232 | RS-422/4-wire RS-485 | 2-wire RS-485 |
|-----|--------|----------------------|---------------|
| 1   | DCD    | TxD-(A)              | ---           |
| 2   | RxD    | TxD+(B)              | ---           |
| 3   | TxD    | RxD+(B)              | Data+(B)      |
| 4   | DTR    | RxD-(A)              | Data-(A)      |
| 5   | GND    | GND                  | GND           |
| 6   | DSR    | ---                  | ---           |
| 7   | RTS    | ---                  | ---           |
| 8   | CTS    | ---                  | ---           |

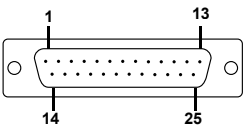
**OPT8-M9**  
Male DB9 x 8,  
150 cm Cable



**CBL-M62M9x8-100 (OPT8D)**  
Male DB9 x 8, 100 cm Cable



#### Male DB25



| PIN | RS-232 | RS-422/4-wire RS-485 | 2-wire RS-485 |
|-----|--------|----------------------|---------------|
| 2   | TxD    | RxD+(B)              | Data+(B)      |
| 3   | RxD    | TxD+(B)              | ---           |
| 4   | RTS    | ---                  | ---           |
| 5   | CTS    | ---                  | ---           |
| 6   | DSR    | ---                  | ---           |
| 7   | GND    | GND                  | GND           |
| 8   | DCD    | TxD-(A)              | ---           |
| 20  | DTR    | RxD-(A)              | Data-(A)      |

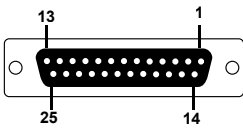
**OPT8B**  
Male DB25 x 8,  
150 cm Cable



**CBL-M62M25x8-100 (OPT8C)**  
Male DB25 x 8, 100 cm Cable



#### Female DB25



| PIN | RS-232 | RS-422/4-wire RS-485 | 2-wire RS-485 |
|-----|--------|----------------------|---------------|
| 2   | RxD    | TxD+(B)              | ---           |
| 3   | TxD    | RxD+(B)              | Data+(B)      |
| 4   | CTS    | ---                  | ---           |
| 5   | RTS    | ---                  | ---           |
| 6   | DTR    | RxD-(A)              | Data-(A)      |
| 7   | GND    | GND                  | GND           |
| 8   | DCD    | TxD-(A)              | ---           |
| 20  | DSR    | ---                  | ---           |

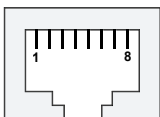
**OPT8A**  
Female DB25 x 8,  
150 cm Cable



**OPT8S**  
Female DB25 x 8, 150 cm Cable  
25 KV ESD Surge Protection



#### 8-Pin RJ45



| PIN | RS-232 | RS-422/4-wire RS-485 | 2-wire RS-485 |
|-----|--------|----------------------|---------------|
| 1   | DSR    | ---                  | ---           |
| 2   | RTS    | ---                  | ---           |
| 3   | GND    | GND                  | GND           |
| 4   | TxD    | RxD+(B)              | Data+(B)      |
| 5   | RxD    | TxD+(B)              | ---           |
| 6   | DCD    | TxD-(A)              | ---           |
| 7   | CTS    | ---                  | ---           |
| 8   | DTR    | RxD-(A)              | Data-(A)      |

**OPT8-RJ45**  
8-pin RJ45 x 8, 30 cm Cable



**Headquarter Germany:**  
SPHINX Computer Vertriebs GmbH  
Phone: +49 (0) 6201 75437  
www.sphinxcomputer.de  
mail@sphinxcomputer.de

**Subsidiary France:**  
SPHINX Connect France  
Phone: +33 (0) 2 51 09 26 60  
www.sphinxconnect.fr  
mail@sphinxconnect.fr

**Subsidiary Germany:**  
SPHINX Connect GmbH  
Phone: +49 (0) 711 7287 5750  
www.sphinxconnect.de  
mail@sphinxconnect.de

**Subsidiary Great Britain:**  
S-Connect Ltd.  
Phone: +44 (0) 1276 203 10  
www.s-connect.ltd.uk  
mail@s-connect.ltd.uk

**Subsidiary Austria:**  
S-Connect Vertriebs GmbH  
Phone: +43 (1) 504 84 78 0  
www.s-connect.at  
mail@s-connect.at

**Subsidiary Denmark:**  
S-Connect Danmark ApS  
Phone: +45 86 205 151  
www.s-connect.dk  
info@s-connect.dk

**Subsidiary Switzerland:**  
SPHINX Connect GmbH  
Phone: +41 (0) 41 767 30 80  
www.sphinxgroup.ch  
mail@sphinxgroup.ch

**Branch Offices Spain/Belgium:**  
Spain Phone: +34 913 109 823  
mail@s-connect-espana.com  
Belgium Phone: +32 26 39 39 48  
benelux@sphinxconnect.com