

# RCO-3111E series

Advanced Fanless Embedded System with Intel® Celeron® Processor J1900, 2x LAN, 1x PCIe Expansion Slot



## FEATURES

- Intel® Celeron® Processor J1900, Quad Core, 2MB Cache, 2.0 GHz
- 1x 204-pin DDR3L SODIMM. Max up to 8GB
- Dual Independent Display Supported by 1x DVI-I and 1x DisplayPort
- 2x Intel® GbE supporting Wake-on-LAN and PXE
- 4x Intel® GbE (RCO-3111E-4L Only)
- 4x Intel® GbE with M12 connector (RCO-3111E-4L-M12 Only)
- 4x Intel® GbE with PoE function (RCO-3111E-4P Only)
- 4x Intel® GbE with M12 PoE function (RCO-3111E-4P-M12 Only)
- 2x 2.5" SATA HDD bay, 1x mSATA, 1x CFast
- 2x full-size Mini PCIe for communication or expansion modules, 2x SIM socket
- 6x RS-232/422/485 (w/ 4x internal), 1x USB 3.0, 3x USB 2.0
- 1x PCIe x4 expansion, up to 3x universal bracket (for mini PCIe application)
- 8x DI + 8x DO with isolation
- 9 to 50VDC wide range power input supporting AT/ATX mode
- -40°C to 70°C extended operating temperature

## SPECIFICATIONS

System	
Processor	Intel® Celeron® Processor J1900, Quad Core, 2MB Cache, 2.0 GHz
System Chipset	SoC integrated
LAN Chipset	GbE1 & GbE2: Intel® I210-AT (Support Wake-on-LAN and PXE) GbE3-GbE6: Intel® I210-AT (Optional)
Audio Codec	Realtek ALC888S
System Memory	1x 204-Pin DDR3L 1066/1333MHz SODIMM. Max. up to 8 GB
BIOS	AMI 64Mbit SPI BIOS
Watchdog	Software Programmable Supports 1~255 sec. System Reset
Display	
VGA	Yes (by optional split cable)
DVI	1x DVI-I
DisplayPort	1x DisplayPort
Multiple Display	Dual Display
Storage	
SSD/HDD	1x Internal 2.5" SATA HDD Bay 1x Removable 2.5" SATA HDD Bay
mSATA	1x mSATA (shared by 1x Mini PCIe & 1x SATA)
CFast	1x CFast (shared by 1x mSATA & 1x SATA)
SIM Socket	2x External SIM socket
Expansion	
Mini PCI Express	1x Full-size Mini-PCIe Socket with USIM socket (PCIe + USB + SATA) (Share by 1x SATA Connector ) 1x Full-size Mini-PCIe Socket with USIM socket (PCIe + USB)
PCI Express	1x PCIe x4 slot with 1-lane Gen2 PCIe Signal
4-Port GbE (Optional)	Up to one 4-port GbE module with Intel® I210-AT Chipset RJ-45 or M12 connector with PoE option One Universal I/O Slot occupied for one 4-port module
Operating System	
Windows	Windows 10, Windows 7, WES7
Linux	Linux kernel 3.X

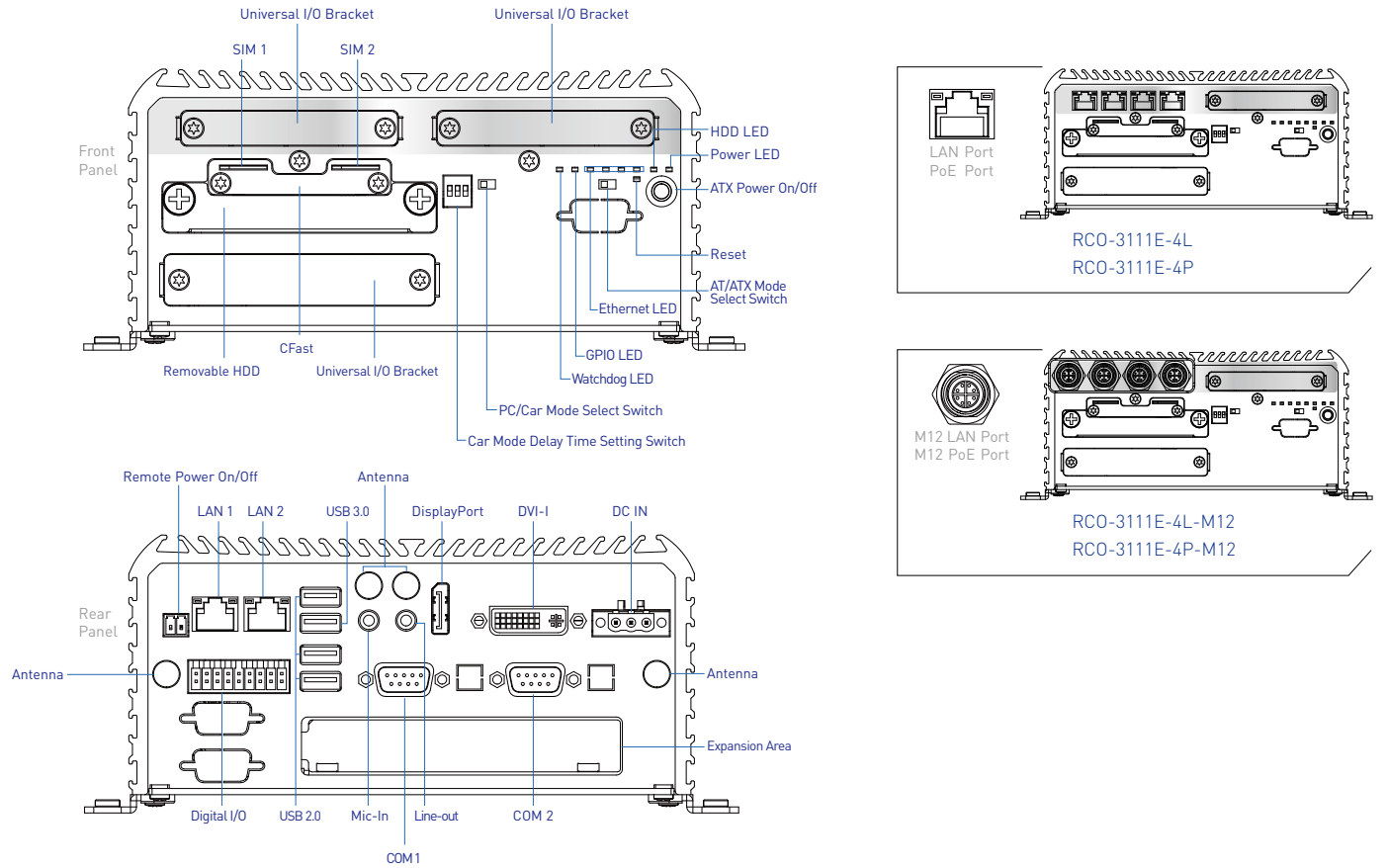
I/O	
COM	2x RS-232/422/485 4x RS-232/422/485 (internal)
USB	1x USB 3.0, 3x USB 2.0
LAN	2x RJ45
Audio	1x Mic-in, 1x Line-out
DIO	8 in / 8 out (Isolated)
Universal I/O Bracket	3x Universal I/O Bracket (By mini PCIe interface)
Others	4x WiFi Antenna Holes 1x Power Switch, 1x AT/ATX Switch, 1x Remote Power On/Off

Power	
Power Mode	AT, ATX
Power Supply Voltage	9~50VDC
Power Ignition Sensing	Power Ignition Management
Power Connector	3-pin Terminal Block
Power Adaptor	Optional AC/DC 12V/5A, 60W Optional AC/DC 24V/5A, 120W (RCO-3111E-4P & RCO-3111E-4P-M12 Only)
Power Protection	OVP (Over Voltage Protection) OCP (Over Current Protection) Reverse Protection

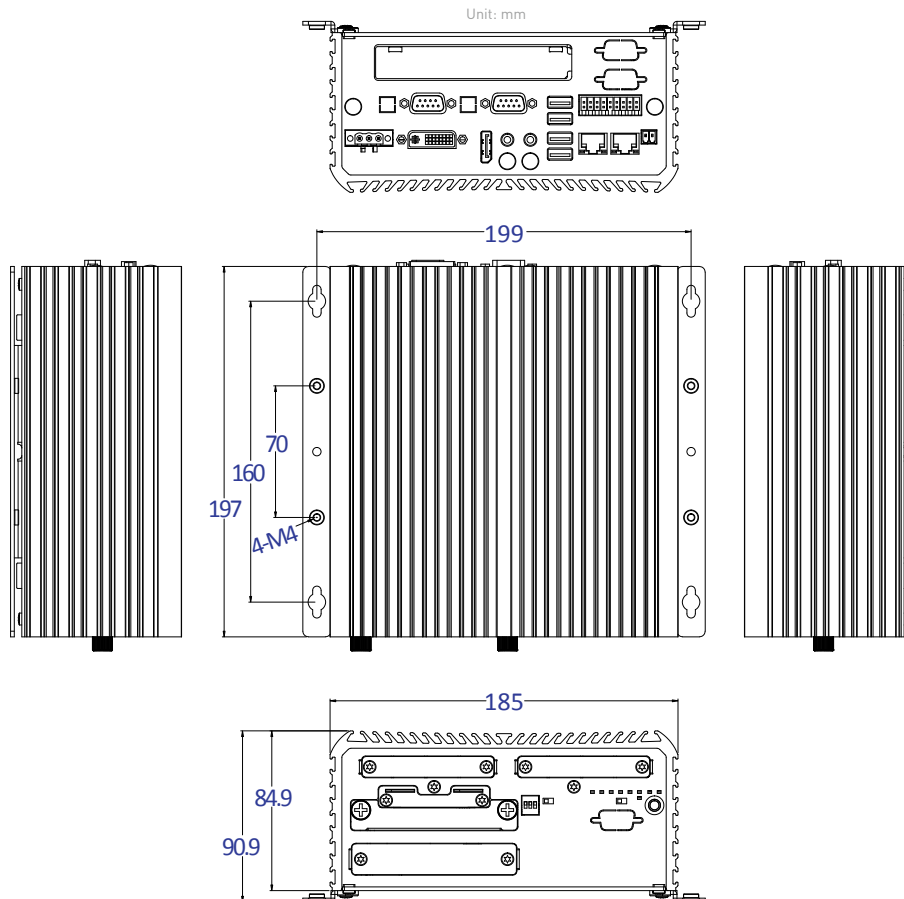
Environment	
Operating Temp.	-40°C to 70°C
Storage Temp.	-40°C to 85°C
Relative Humidity	10% to 95% (non-condensing)
Vibration	With SSD: 5 Grms, 10 - 500 Hz, 0.5 hr/axis With HDD: 1 Grms, 10 - 500 Hz, 0.5 hr/axis
Shock	With SSD: 50G, half sine, 11ms
Standards / Certification	CE, FCC Class A

Physical	
Construction	Extruded Aluminum with Heavy Duty Metal
Dimension	185 (W) x 197 (D) x 84.9 (H) mm
Weight	2.43 kg
Mounting	Wall Mounting

## EXTERNAL I/O MECHANICAL LAYOUT



## DIMENSION



## ORDERING INFORMATION

MODEL NO.	DESCRIPTION
1-E09A06007	Adapter AC/DC 12V 5A 60W with 3pin Terminal Block Plug 5.0mm Pitch
1-E09A12002	Adapter AC/DC 24V 5A 120W with 3pin Terminal Block Plug 5.0mm Pitch
SFICBL022	Power Cord, 3-pin US Type, 180cm
1-TPCD00002	Power Cord, European Type
1-TPCD00001	Power Cord, 3-pin UK Type, 180cm

## PACKING LIST

- 1x RCO-3100 Series Embedded System
- 1x Utility DVD Driver
- 1x Wall Mount Kit
- 1x Accessory Kit
- 1x DVI to VGA Adapter

## AVAILABLE MODELS

MODEL	MODEL NO.	DESCRIPTION
RCO-3111E	RCO-3111E-J1900	Advanced Fanless Embedded System with Intel® Celeron® Processor J1900, 2x LAN, 1x PCIe Expansion Slot
	RCO-3111E-4L-J1900	Advanced Fanless Embedded System with Intel® Celeron® Processor J1900, 6x LAN, 1x PCIe Expansion Slot
	RCO-3111E-4P-J1900	Advanced Fanless Embedded System with Intel® Celeron® Processor J1900, 2x LAN, 4x PoE, 1x PCIe Expansion Slot
	RCO-3111E-4L-M12-J1900	Advanced Fanless Embedded System with Intel® Celeron® Processor J1900, 2x LAN, 4x M12 LAN, 1x PCIe Expansion Slot
	RCO-3111E-4P-M12-J1900	Advanced Fanless Embedded System with Intel® Celeron® Processor J1900, 2x LAN, 4x M12 PoE, 1x PCIe Expansion Slot