

Advanced Fanless Embedded System with Intel® Pentium® Processor N4200, 2x LAN, 1x PCI Expansion Slot



FEATURES

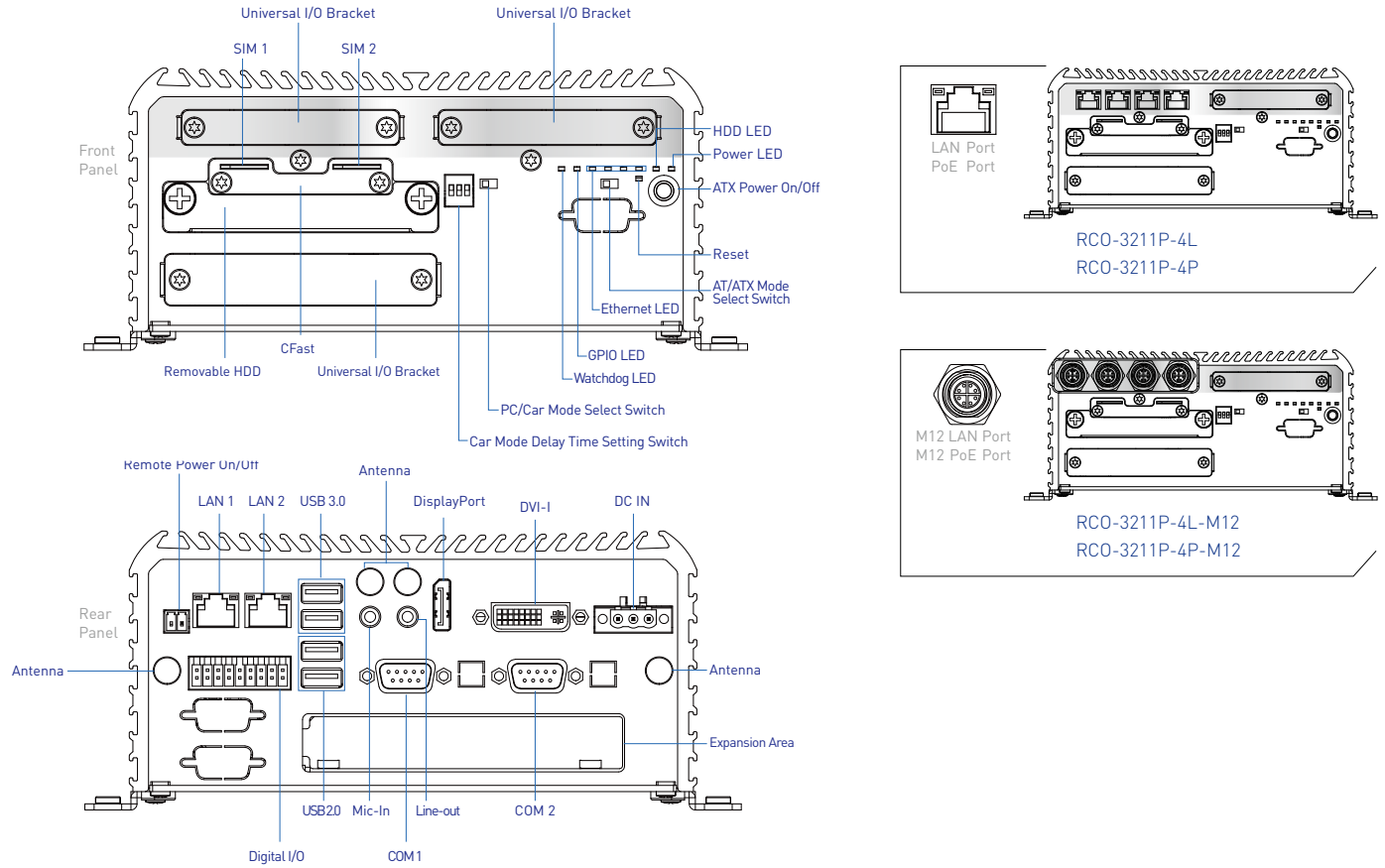
- Intel® Pentium® Processor N4200, Quad Core, 2MB Cache, 2.5 GHz
- 1x 204-pin DDR3L SODIMM. Max up to 8GB (un-buffered and non-ECC)
- Triple independent display supported by 1x DVI-I and 1x DisplayPort
- 2x Intel® GbE supporting Wake-on-LAN and PXE
- 4x Intel® GbE (RCO-3211P-4L Only)
- 4x Intel® GbE with M12 connector (RCO-3211P-4L-M12 Only)
- 4x Intel® GbE with PoE function (RCO-3211P-4P Only)
- 4x Intel® GbE with M12 PoE function (RCO-3211P-4P-M12 Only)
- 2x 2.5" SATA HDD bay, 1x mSATA, 1x CFAST
- 2x full-size Mini PCIe for communication or expansion modules, 2x SIM socket
- 6x RS-232/422/485 (w/ 4x internal), 2x USB 3.0, 2x USB 2.0
- 1x PCI expansion, up to 3x universal bracket (for mini PCIe application)
- 8x DI + 8x DO with isolation
- 9 to 50VDC wide range power input supporting AT/ATX mode
- -40°C to 70°C extended operating temperature

SPECIFICATIONS

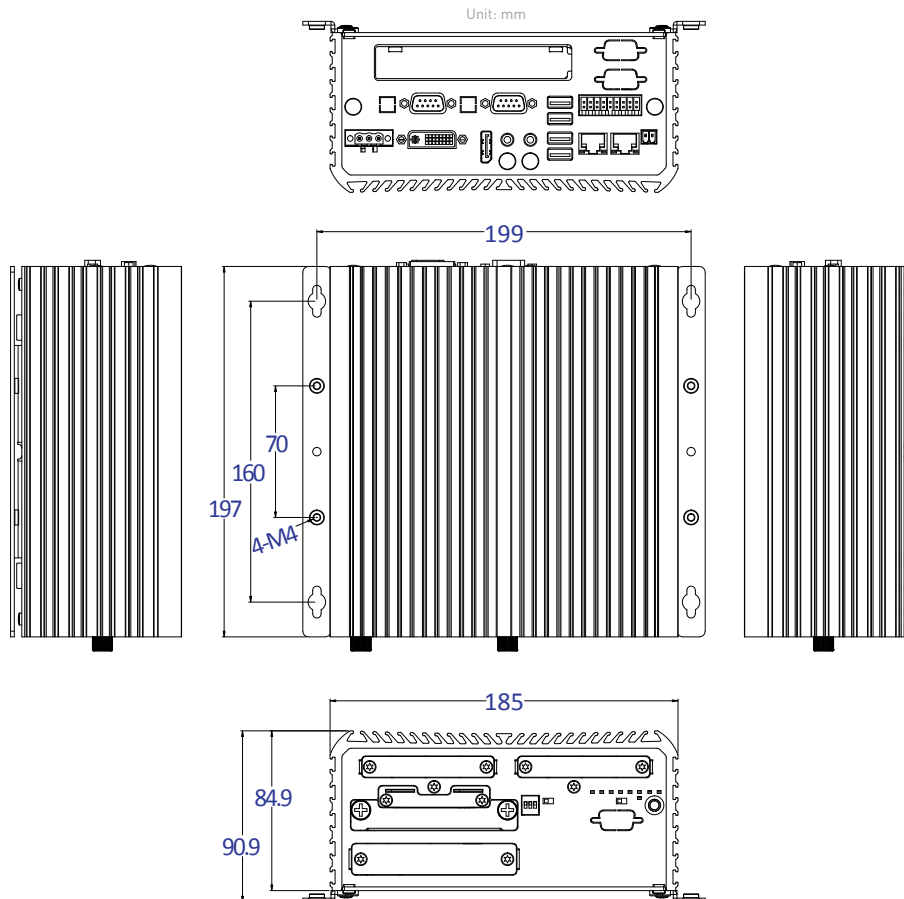
| System | |
|-----------------------|--|
| Processor | Intel® Pentium Processor N4200, Quad Core, 2MB Cache, 2.5 GHz |
| System Chipset | SoC integrated |
| LAN Chipset | GbE1 & GbE2: Intel® I210-AT (Support Wake-on-LAN and PXE) GbE3-GbE6: Intel® I210-AT (Optional) |
| Audio Codec | Realtek ALC888S |
| System Memory | 1x 204-Pin DDR3L 1600/1867MHz SODIMM. Max. up to 8 GB (un-buffered and non-ECC) |
| BIOS | AMI 128Mbit SPI BIOS |
| Watchdog | Software Programmable Supports 1~255 sec. System Reset |
| Display | |
| VGA | Yes (by optional split cable) |
| DVI | 1x DVI-I |
| DisplayPort | 1x DisplayPort |
| Multiple Display | Triple Display |
| Storage | |
| SSD/HDD | 1x Internal 2.5" SATA HDD Bay 1x Removable 2.5" SATA HDD Bay |
| mSATA | 1x mSATA (shared by 1x Mini PCIe & 1x SATA) |
| CFAST | 1x CFAST (shared by 1x mSATA & 1x SATA) |
| SIM Socket | 2x External SIM socket |
| Expansion | |
| Mini PCI Express | 1x Full-size Mini-PCIe Socket with USIM socket (PCIe + USB + SATA) (Share by 1x SATA Connector) 1x Full-size Mini-PCIe Socket with USIM socket (PCIe + USB) |
| PCI | 1x PCI |
| 4-Port GbE (Optional) | Up to one 4-port GbE module with Intel® I210-AT Chipset RJ-45 or M12 connector with PoE option One Universal I/O Slot occupied for one 4-port module |
| Operating System | |
| Windows | Windows 10 |
| Linux | Linux kernel 4.X |

| I/O | |
|---------------------------|--|
| COM | 2x RS-232/422/485 4x RS-232/422/485 (internal) |
| USB | 2x USB 3.0, 2x USB 2.0 |
| LAN | 2x RJ45 |
| Audio | 1x Mic-in, 1x Line-out |
| DIO | 8 in / 8 out (Isolated) |
| Universal I/O Bracket | 3x Universal I/O Bracket (By mini PCIe interface) |
| Others | 4x WiFi Antenna Holes 1x Power Switch, 1x AT/ATX Switch, 1x Remote Power On/Off |
| Power | |
| Power Mode | AT, ATX |
| Power Supply Voltage | 9-50VDC |
| Power Ignition Sensing | Power Ignition Management |
| Power Connector | 3-pin Terminal Block |
| Power Adaptor | Optional AC/DC 12V/5A, 60W Optional AC/DC 24V/5A, 120W (RCO-3211P-4P & RCO-3211P-4P-M12 Only) |
| Power Protection | OVP (Over Voltage Protection) OCP (Over Current Protection) Reverse Protection |
| Environment | |
| Operating Temp. | -40°C to 70°C |
| Storage Temp. | -40°C to 85°C |
| Relative Humidity | 10% to 95% (non-condensing) |
| Vibration | With SSD: 5 Grms, 10 - 500 Hz, 0.5 hr/axis With HDD: 1 Grms, 10 - 500 Hz, 0.5 hr/axis |
| Shock | With SSD: 50G, half sine, 11ms |
| Standards / Certification | CE, FCC Class A |
| Physical | |
| Construction | Extruded Aluminum with Heavy Duty Metal |
| Dimension | 185 (W) x 197 (D) x 84.9 (H) mm |
| Weight | 2.67 kg |
| Mounting | Wall Mounting |

EXTERNAL I/O MECHANICAL LAYOUT



DIMENSION



ORDERING INFORMATION

| MODEL NO. | DESCRIPTION |
|-------------|---|
| 1-E09A06007 | Adapter AC/DC 12V 5A 60W with 3pin Terminal Block Plug 5.0mm Pitch |
| 1-E09A12002 | Adapter AC/DC 24V 5A 120W with 3pin Terminal Block Plug 5.0mm Pitch |
| SFICBL022 | Power Cord, 3-pin US Type, 180cm |
| 1-TPCD00002 | Power Cord, European Type |
| 1-TPCD00001 | Power Cord, 3-pin UK Type, 180cm |

PACKING LIST

- 1x RCO-3200 Series Embedded System
- 1x Utility DVD Driver
- 1x Wall Mount Kit
- 1x Accessory Kit
- 1x DVI to VGA Adapter

AVAILABLE MODELS

| MODEL | MODEL NO. | DESCRIPTION |
|-----------|------------------------|--|
| RCO-3211P | RCO-3211P-N4200 | Advanced Fanless Embedded System with Intel® Pentium® Processor N4200, 2x LAN, 1x PCI Expansion Slot |
| | RCO-3211P-4L-N4200 | Advanced Fanless Embedded System with Intel® Pentium® Processor N4200, 6x LAN, 1x PCI Expansion Slot |
| | RCO-3211P-4P-N4200 | Advanced Fanless Embedded System with Intel® Pentium® Processor N4200, 2x LAN, 4x PoE, 1x PCI Expansion Slot |
| | RCO-3211P-4L-M12-N4200 | Advanced Fanless Embedded System with Intel® Pentium® Processor N4200, 2x LAN, 4x M12 LAN, 1x PCI Expansion Slot |
| | RCO-3211P-4P-M12-N4200 | Advanced Fanless Embedded System with Intel® Pentium® Processor N4200, 2x LAN, 4x M12 PoE, 1x PCI Expansion Slot |