

RS-232 Port Combiner

Model 232PTC9

B+B SMARTWORX

Powered by

ADVANTECH

www.advantech-bb.com



PRODUCT FEATURES

- Two RS-232 devices can share a single PC RS-232 port
- Cascade combiners to connect many devices
- Quick, easy inline installation – may be left in place
- 12VDC power input

Monitor and control multiple scales, scanners, terminals or other serial devices with a single PC. Model 232PTC9 economizes systems by connecting a PC port to several data sources – ideal for devices requiring only intermittent access. The first device to send, automatically accesses the data path, locking out other device lines.

Data flow may also be software controlled using the RTS line. Data from the host PC is sent to all attached devices. Port combiners can be cascaded by connecting the master port of each successive unit to one of the slave ports of the preceding unit. Each additional port combiner adds one slave port to the system. Model 232PTC9 requires an external 12 VDC @ 100 mA power supply (sold separately).

ORDERING INFORMATION

MODEL NUMBER	HOST PC PORT
232PTC9	RS-232 Port Combiner

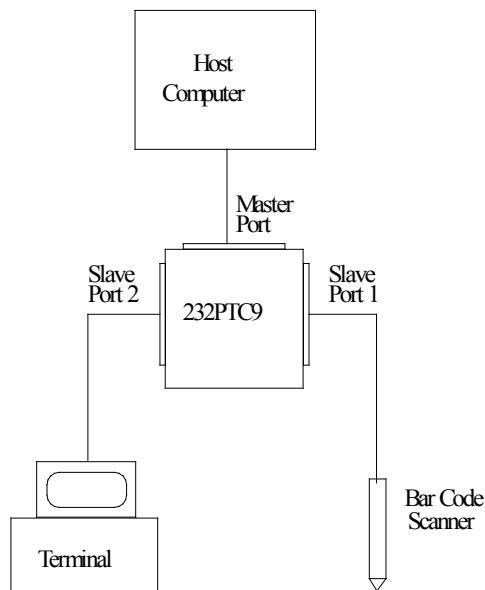
ACCESSORIES

SMI6-12-V-P230-C1 - Power Supply, 12 VDC, 6 Watt, 2.5mm Plug, International AC Input, International AC Blades

9PAMF6 - DB9 Male to DB9 Female, 1.8 m (6 ft.)

9SGM - DB9 Gender Reverser – Changes Female Port to Male (M to M)

APPLICATION EXAMPLE



SPECIFICATIONS

SERIAL TECHNOLOGY	
RS-232	
Connectors	Host PC Port: (1) DB9 Female Peripheral Ports: (2) DB9 Female
Signals	TD, RD, RTS (slave to master only) CTS indicates open channel (slave only)
Configuration	DCE
Installation	In-line
MECHANICAL	
Dimensions	10.19 x 5.08 x 2.29 cm (4.01 x 2.00 x 0.9 in)
Weight	117.9 g (0.26 lb)
POWER	
Input Required	12 VDC
ENVIRONMENTAL	
Operating Temperature	0 to +50 °C (+32 to +122 °F)
Storage Temperature	-40 to +85 °C (-40 to +185 °F)
Operating Humidity	0 to 95% Non-condensing
MEANTIME BEFORE FAILURE (MTBF)	
MTBF	938745 hours
MTBF Calc. Method	MIL117F Parts Count Reliability Prediction

All product specifications are subject to change without notice.
232PTC9_1718ds