

# BB-9SGM

## DB9 Male Low-profile Gender Changer



### Features

- Convert a device's DB9 female port to a DB9 male port
- Extend cabling run by connecting two DB9 cables
- Convenient, inexpensive in-the-field adaption tool
- Features two DB9 male connectors
- Slim 1.9 cm thickness easily fits in tight spaces
- Gold-plated contacts for high reliability

### Introduction

The versatile Model BB-9SGM gender reverser quickly and easily changes a port gender or joins two cables together. Save the cost of buying a new cable by changing the port gender and using a cable you already have. Quickly join two like cables together to extend a cable run.

The gender changer is molded and fully shielded, preventing EMI/RFI interference from office equipment.

Small, low-profile size saves space in installations – and in your toolbox. Keep a few on hand for field service calls.

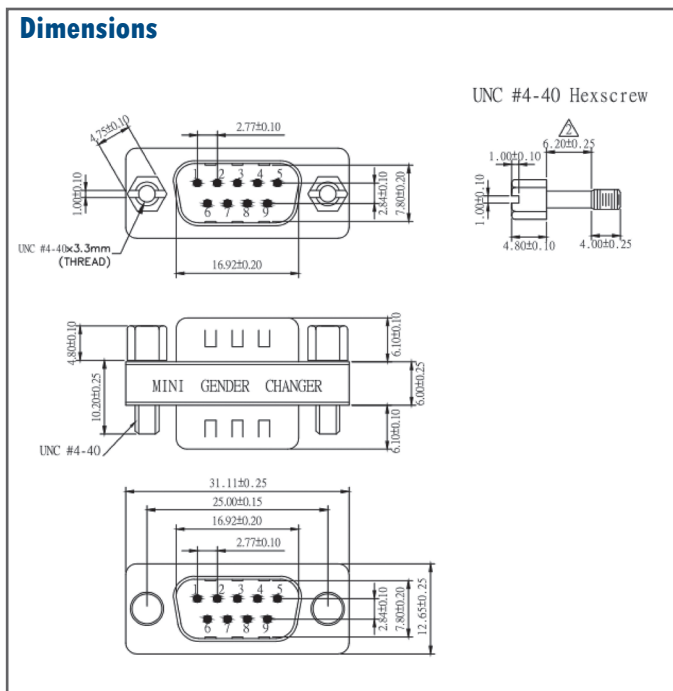
### Ordering Information

| Model No. | Description                         |
|-----------|-------------------------------------|
| BB-9SGM   | DB9 Male Low-profile Gender Changer |

### Connector Pin-outs

| DB9 Male | DB9 Male |
|----------|----------|
| 1        | 1        |
| 2        | 2        |
| ~        |          |
| 8        | 8        |
| 9        | 9        |
| GND      | GND      |

### Dimensions



### Specifications

|                  |  |
|------------------|--|
| Connector 1      | DB9 male                               |
| Connector 2      | DB9 male                               |
| Contact Plating  | Gold plated over nickel                |
| Contact          | Brass                                  |
| Housing Material | Tin-plated shell                       |
| Insulator        | PBT glass fiber reinforced (blue face) |
| Dimensions       | 31.1 x 12.7 x 17.6 mm                  |
| Compliances      | RoHS                                   |