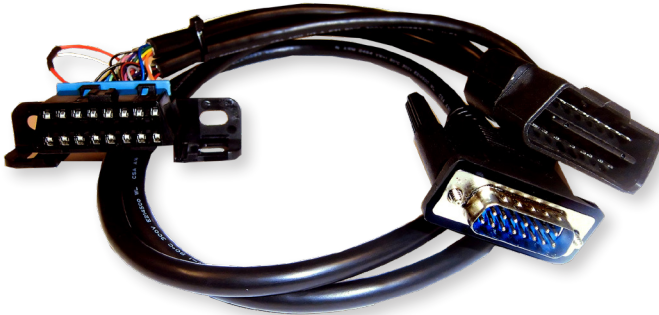


OBDII Y Vehicle Cable

Model BB-LDVYCBL

ADVANTECH

www.advantech.com

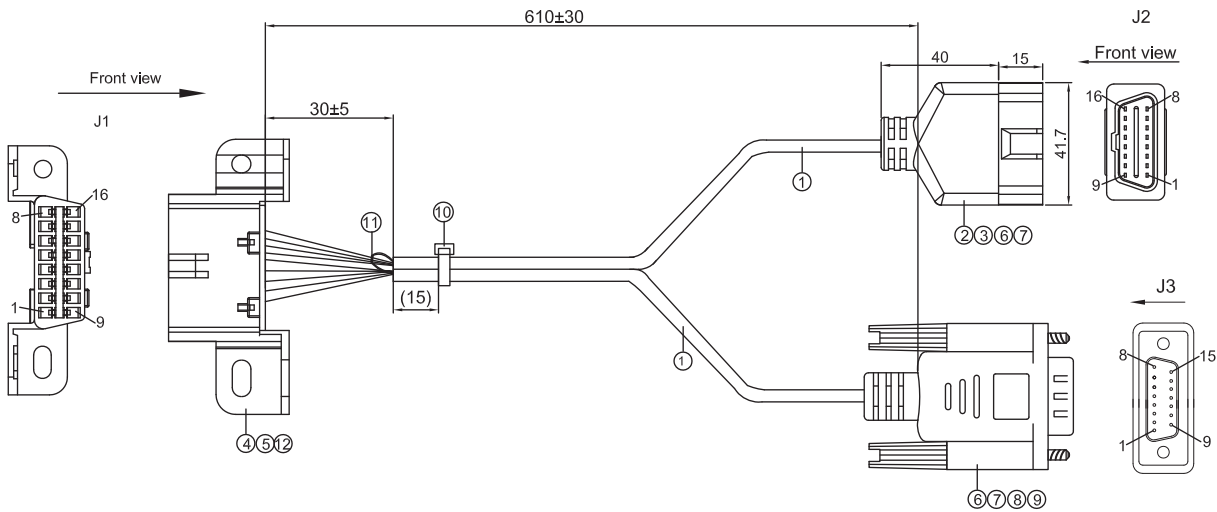


FEATURES

- + OBDII vehicle Y cable
- + 61 cm (24 in) length
- + 100% electrical tested
- + Voltage test: 300V DC, 10 ms
- + Connector resistance: 2 Ohm, maximum
- + RoHS compliant

ORDERING INFORMATION

MODEL NO.	CONNECTORS	LENGTH	COLOR
BB-LDVYCBL	Y Cable, OBDII / Vehicle	61 cm (24 in)	Black

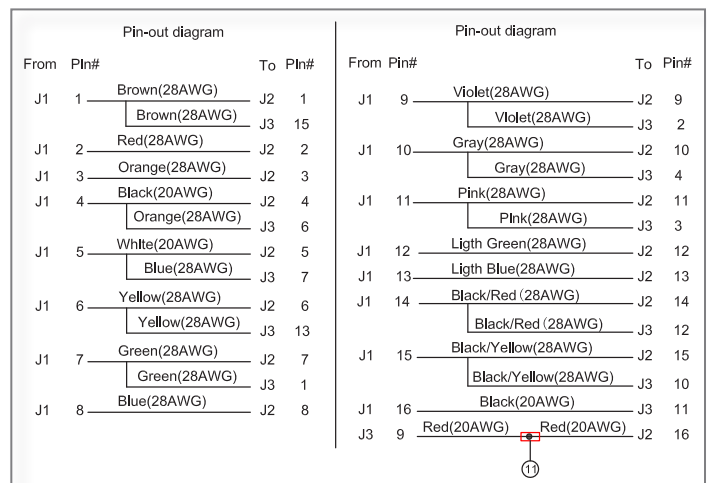


MECHANICAL DRAWING (above)

Units = mm

- 1 Cable - UL 2464, 20AWG(21.0.178TS)/3C(Red,Black,White),+28AWG¹ (7/0.127TS)/13C(Brown,Red,Orange,Yellow,Green,Blue,Violet,Gray,Pink, LightGreen,LightBlue,Black/Red, BlackYellow)+Foil Jacket:Black. OD: 6.8+/-0.25mm
- 2 Terminal - OBD male
- 3 Housing - OBD-16P female
- 4 Terminal - 6820603PS7
- 5 Housing - 3DA16FB-M
- 6 Pre-mold - transparent PE material
- 7 Over-mold - Shore A 90 black PVC
- 8 D-subminiature 15P male
- 9 Screw - 4-40#
- 10 Tie - 3*100 black tie
- 11 H/S/T - black heat shrink tube
- 12 Clip - 3DA16FB-C
- 13 Transparent PE Bag

¹ The 28AWG wire may be substituted with 24AWG wire.



All product specifications are subject to change without notice.
LDVYCBL_OBDII-Cable_2819ds

ADVANTECH

orders@advantech-bb.com | eSales@advantech-bb.com

Headquarters: 707 Dayton Rd, PO Box 1040 Ottawa, IL 61350 USA (815)433-5100 or (800)346-3119/Toll Free Fax (815)433-5104
European Office: Westlink Commercial Pk, Oranmore Co. Galway Ireland +353 91 792444 Fax +353 91 792445