

Technical Specifications / Engineering Submittals

Raritan Model Number: PX3-1367T-E2H4M5N1

rev20180528

LINE DRAWING



FEATURES

Energy Metering	Voltage (V), Current (A), Active Power (kW), Real Power (kVA), Energy (kWh), Power Factor
Metering Accuracy	ISO/IEC 62053-21 1%
Metering per Input Line	Yes
Metering per Branch Circuit Breaker	No
Metering per Output Receptacle	No
Remote Outlet Switching	No
Environmental Sensor Ready	Yes
Replaceable Controller	Yes
Compatible Sensors	Temperature, Humidity, Air Flow, Differential Pressure, Water Leak, and Contact Closure
Networking	Gigabit (10/100/1000 BaseT) Ethernet port; secondary, redundant (10/100 BaseT) Ethernet port. Optional WiFi (802.11a/b/g/n)
Remote Management	HTTP(s); SSH; Telnet; RS-232 (Serial); Power IQ; SNMP version v2/v3; SMTP; JSON-RPC; Modbus over TCP
Cascading	Yes, Max 16 PDUs can be daisy chained using a single Ethernet or USB connection
Onboard Display	Color, matrix LCD display : Voltage, current, or active power (per line); Alarms; Configuration information (name, ratings, IP / Networking information); Auto-flip orientation
Embedded Processor	ARM Cortex A5 536MHZ (Atmel A5D35A), 16MB SPI Flash, 64MB DDR2 RAM

Technical Specifications / Engineering Submittals

Raritan Model Number: PX3-1367T-E2H4M5N1

rev20180528

INPUT

Input Plug	IEC 60309 2P+E 6h 16A (2P3W)
Cord Length	3 meters (9.84 feet) standard
Cord Entry	Top-front feed
Cable Type	IP44("splashproof")
Number of Power Cords	1
Maximum Input Current	16A
Nominal Input Voltage	230V
Rated Input Voltage	200 - 240V
Input Frequency	50/60Hz
Power Capacity	3.2kVA at 200V, 3.8kVA at 240V

OUTPUT

Nominal Output Voltage	230V
Rated Output Voltage	200 - 240V
Receptacles (Output Connections)	(14) IEC60320 C13 Locking, 10A (2) IEC60320 C19 Locking, 16A
Securelock Support	Yes
Cord Retention	No
Overload Protection	N/A

PHYSICAL

Color	Black powder coat (custom colors available)
Unit Dimensions (WxDxH)	2.1" x 2.6" x 39.4" ; 52mm x 65mm x 1000mm
Unit Weight	TBD
Shipping Weight	TBD
Shipping Dimensions (WxDxH)	11.02" x 4.53" x 44.49" ; 280mm x 115mm x 1130mm
Mounting	G2-RACK-FOR-ZU

Technical Specifications / Engineering Submittals

Raritan Model Number: PX3-1367T-E2H4M5N1

rev20180528

ENVIRONMENTAL

Operating Temperature	60°C
Operating Relative Humidity	85%
Operating Elevation	0-10000ft

CONFORMANCE

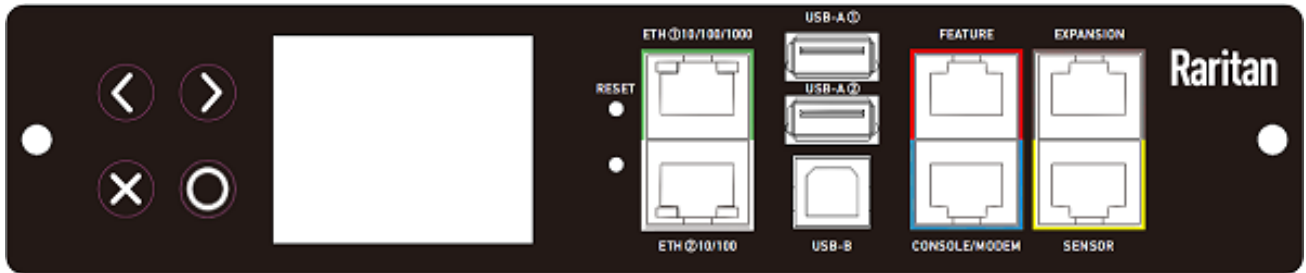
Regulatory Approvals	CE, Canada ICES-003, Part 15 Class A of the FCC rules, RoHS compliant
Warranty	Standard 2 years manufacturer warranty

Technical Specifications / Engineering Submittals

Raritan Model Number: PX3-1367T-E2H4M5N1

rev20180528

CONTROL PANEL

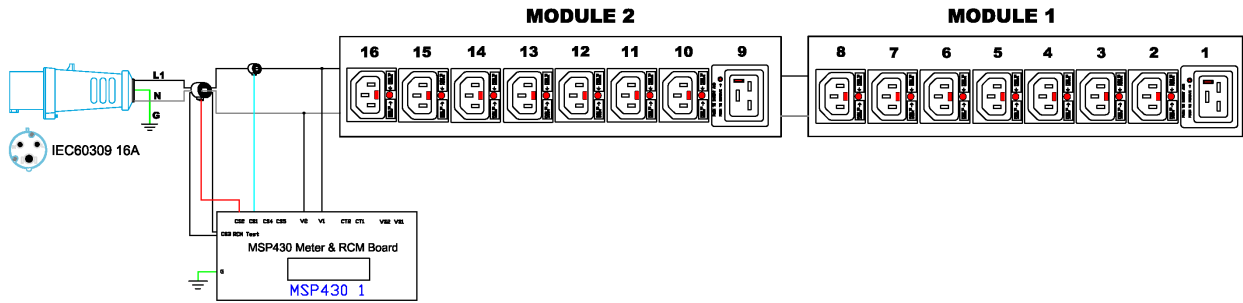


Technical Specifications / Engineering Submittals

Raritan Model Number: PX3-1367T-E2H4M5N1

rev20180528

ELECTRICAL (ONE LINE) DIAGRAM

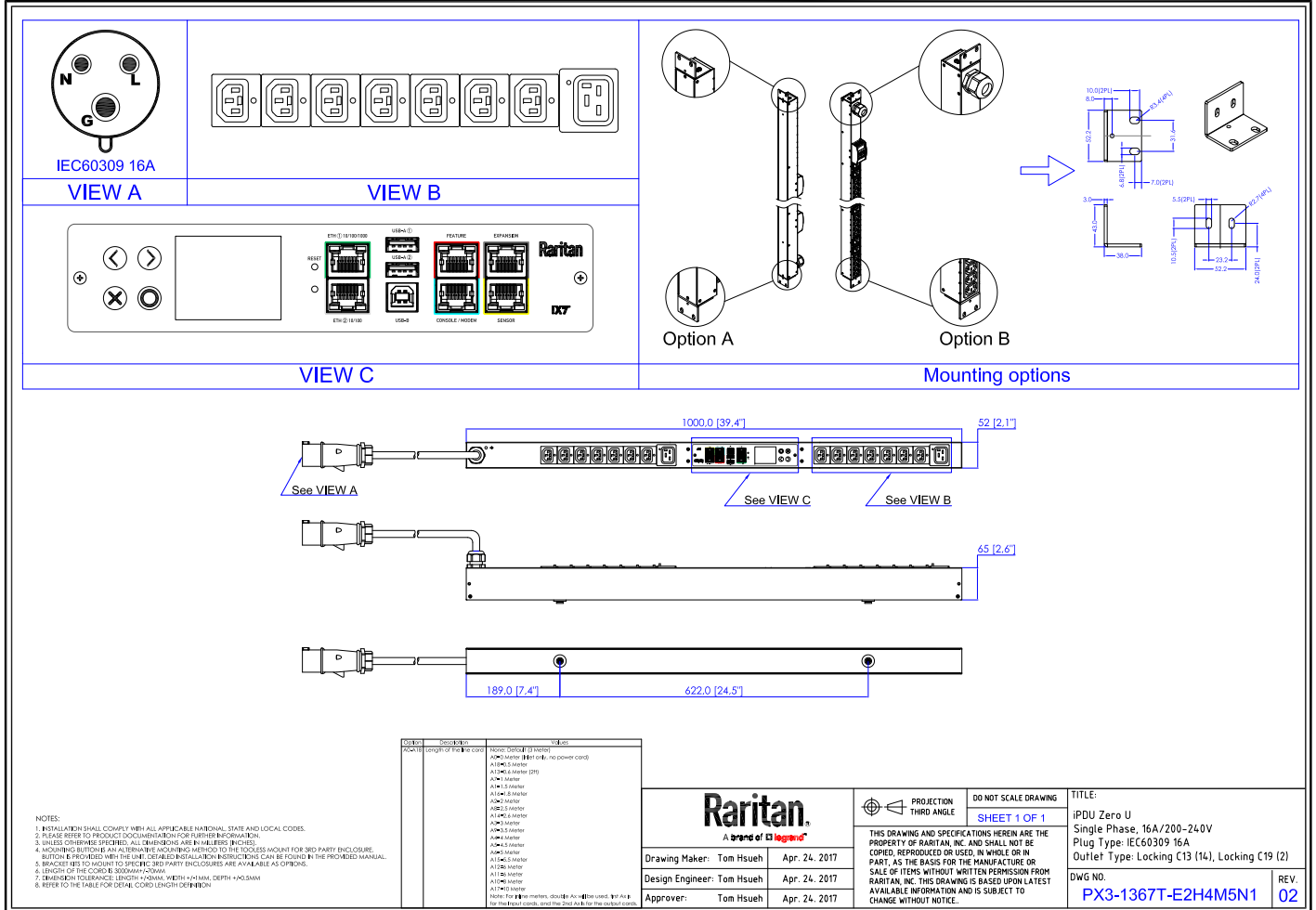


Technical Specifications / Engineering Submittals

Raritan Model Number: PX3-1367T-E2H4M5N1

rev20180528

MECHANICAL DIAGRAM



NOTES:

1. INSTALLATION SHALL COMPLY WITH ALL APPLICABLE NATIONAL, STATE AND LOCAL CODES.
2. PLEASE REFER TO PRODUCT DOCUMENTATION FOR FURTHER INFORMATION.
3. UNLESS OTHERWISE SPECIFIED, ALL DIMENSIONS ARE IN MILLIMETERS (INCHES).
4. MOUNTING HOLE PATTERNS: AN ALTERNATE MOUNTING METHOD TO THE TOOLLESS MOUNT FOR 3RD PARTY ENCLOSURE. BUTTON PROVIDED WITH THE UNIT. DETAILED INSTALLATION INSTRUCTIONS CAN BE FOUND IN THE PROVIDED MANUAL.
5. BRACKET FEE TO MOUNT TO SPECIFIC 3RD PARTY ENCLOSURES ARE AVAILABLE AS OPTIONS.
6. LENGTH OF THE CORD IS 3000MM/9.843M.
7. DIMENSION TOLERANCES: LENGTH: +0.2MM; WIDTH: +0.1MM; DEPTH: +0.2MM.
8. REFER TO THE TABLE FOR DETAIL, CORD LENGTH DEFINITION.

Part No.	Description	Unit
AX-01	Length of the power cord	meter (ft)
A10	Power Cord (1) (10FT)	
A10	Power Cord (2) (10FT)	
A10	Power Cord (3) (10FT)	
A10	Power Cord (4) (10FT)	
A10	Power Cord (5) (10FT)	
A10	Power Cord (6) (10FT)	
A10	Power Cord (7) (10FT)	
A10	Power Cord (8) (10FT)	
A10	Power Cord (9) (10FT)	
A10	Power Cord (10) (10FT)	
A10	Power Cord (11) (10FT)	
A10	Power Cord (12) (10FT)	
A10	Power Cord (13) (10FT)	
A10	Power Cord (14) (10FT)	
A10	Power Cord (15) (10FT)	
A10	Power Cord (16) (10FT)	
A10	Power Cord (17) (10FT)	
A10	Power Cord (18) (10FT)	
A10	Power Cord (19) (10FT)	
A10	Power Cord (20) (10FT)	
A10	Power Cord (21) (10FT)	
A10	Power Cord (22) (10FT)	
A10	Power Cord (23) (10FT)	
A10	Power Cord (24) (10FT)	
A10	Power Cord (25) (10FT)	
A10	Power Cord (26) (10FT)	
A10	Power Cord (27) (10FT)	
A10	Power Cord (28) (10FT)	
A10	Power Cord (29) (10FT)	
A10	Power Cord (30) (10FT)	
A10	Power Cord (31) (10FT)	
A10	Power Cord (32) (10FT)	
A10	Power Cord (33) (10FT)	
A10	Power Cord (34) (10FT)	
A10	Power Cord (35) (10FT)	
A10	Power Cord (36) (10FT)	
A10	Power Cord (37) (10FT)	
A10	Power Cord (38) (10FT)	
A10	Power Cord (39) (10FT)	
A10	Power Cord (40) (10FT)	
A10	Power Cord (41) (10FT)	
A10	Power Cord (42) (10FT)	
A10	Power Cord (43) (10FT)	
A10	Power Cord (44) (10FT)	
A10	Power Cord (45) (10FT)	
A10	Power Cord (46) (10FT)	
A10	Power Cord (47) (10FT)	
A10	Power Cord (48) (10FT)	
A10	Power Cord (49) (10FT)	
A10	Power Cord (50) (10FT)	

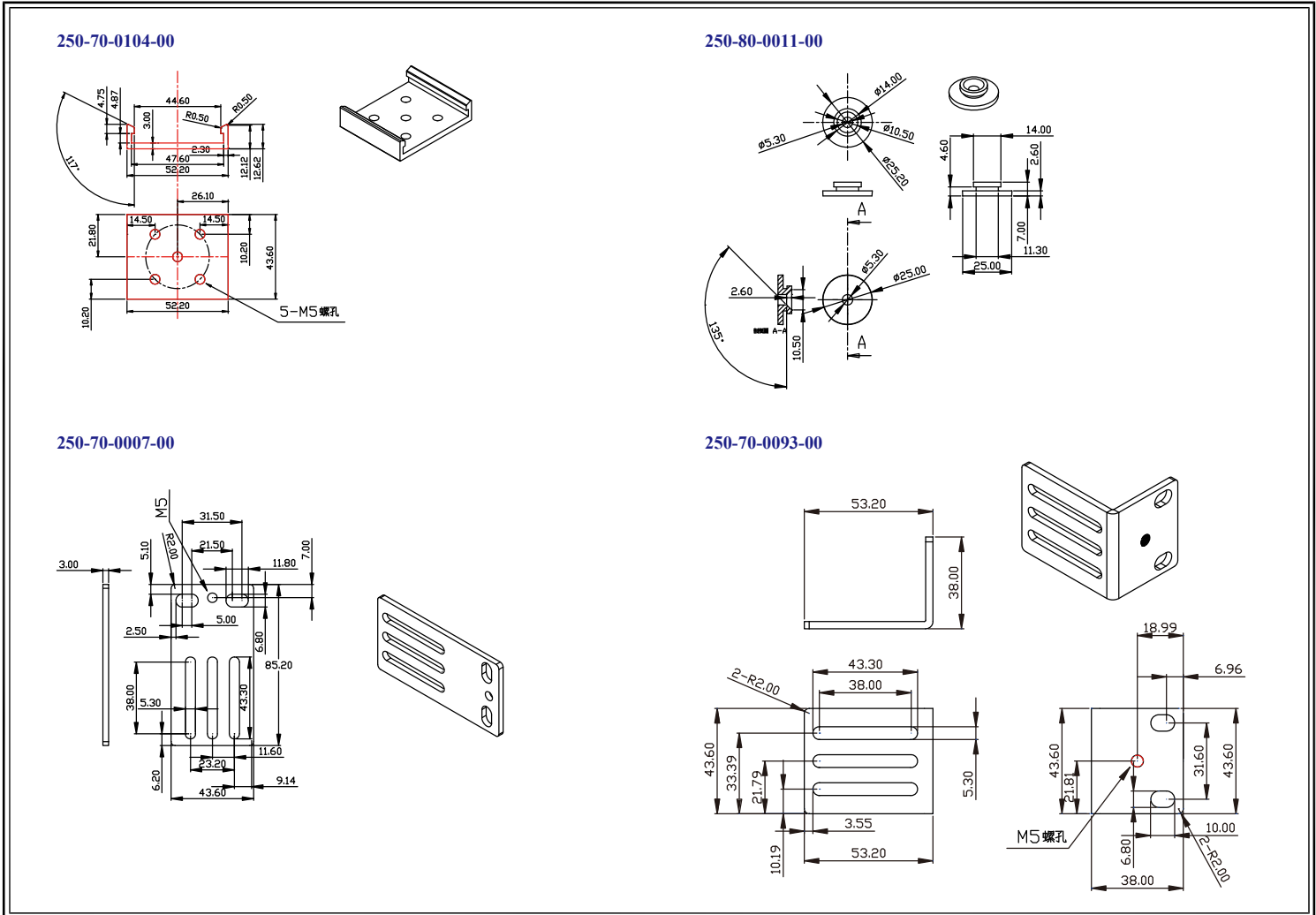
Raritan A brand of legrand		PROJECTION THIRD ANGLE	DO NOT SCALE DRAWING SHEET 1 OF 1	TITLE:
Drawing Maker: Tom Hsueh	Apr. 24, 2017	THIS DRAWING AND SPECIFICATIONS HEREIN ARE THE PROPERTY OF RARITAN, INC. AND SHALL NOT BE COPIED, REPRODUCED OR USED, IN WHOLE OR IN PART, AS THE BASIS FOR THE MANUFACTURE OR SALE OF ITEMS WITHOUT WRITTEN PERMISSION FROM RARITAN, INC. THIS DRAWING IS BASED UPON LATEST AVAILABLE INFORMATION AND IS SUBJECT TO CHANGE WITHOUT NOTICE.		iPDU Zero U Single Phase, 16A/200-240V Plug Type: IEC60309 16A Outlet Type: Locking C13 (14), Locking C19 (2)
Design Engineer: Tom Hsueh	Apr. 24, 2017			DWG NO. PX3-1367T-E2H4M5N1
Approver: Tom Hsueh	Apr. 24, 2017			REV. 02

Technical Specifications / Engineering Submittals

Raritan Model Number: PX3-1367T-E2H4M5N1

rev20180528

Mounting Diagram (G2-RACK-FOR-ZU)



Technical Specifications / Engineering Submittals

Raritan Model Number: PX3-1367T-E2H4M5N1

rev20180528

TRIP CURVE

This file generated on: Mon, May 28, 2018 - 03:11:44