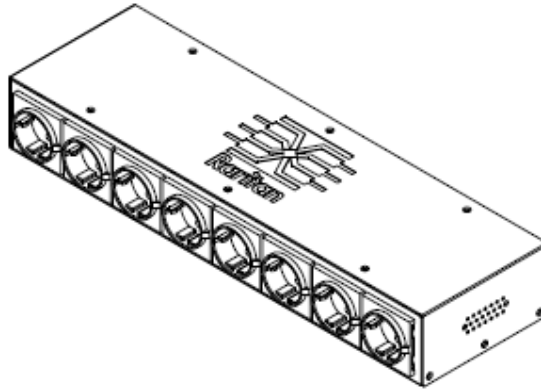


## Technical Specifications / Engineering Submittals

Raritan Model Number: PXE-1813ER

rev20180322

### LINE DRAWING



### FEATURES

Energy Metering	Voltage (V), Current (A), Active Power (kW), Real Power (kVA), Energy (kWh), Power Factor
Metering Accuracy	ISO/IEC 62053-21 1%
Metering per Input Line	Yes
Metering per Branch Circuit Breaker	No
Metering per Output Receptacle	No
Remote Outlet Switching	No
Environmental Sensor Ready	Yes
Replaceable Controller	No
Compatible Sensors	Temperature, Humidity, Air Flow, Differential Pressure, Water Leak, and Contact Closure
Networking	(10/100 BaseT) Ethernet port. Optional WiFi (802.11a/b/g/n)
Remote Management	HTTP(s); SSH; Telnet; RS-232 (Serial); Power IQ; SNMP version v2/v3; SMTP; JSON-RPC
Cascading	No
Onboard Display	3-digit LED user-selectable display : Voltage, current, or active power (per line)
Embedded Processor	ARM9 400MHZ (Atmel SAM9G20), 16MB SPI Flash, 64MB SDRAM

## Technical Specifications / Engineering Submittals

Raritan Model Number: PXE-1813ER

rev20180322

### INPUT

Input Plug	CEE 7/7 (2P3W)
Cord Length	3 meters (9.84 feet) standard
Cord Entry	Rear feed
Cable Type	IP44("splashproof")
Number of Power Cords	1
Maximum Input Current	16A
Nominal Input Voltage	230V
Rated Input Voltage	200 - 240V
Input Frequency	50/60Hz
Power Capacity	3.2kVA at 200V, 3.8kVA at 240V

### OUTPUT

Nominal Output Voltage	230V
Rated Output Voltage	200 - 240V
Receptacles (Output Connections)	(8) CEE7/4 Schuko, 16A
Securelock Support	No
Cord Retention	No
Overload Protection	N/A

### PHYSICAL

Color	Black powder coat (custom colors available)
Unit Dimensions (WxDxH)	17.3" x 5.2" x 2.6" ; 440mm x 133mm x 66mm
Unit Weight	2.5 kg
Shipping Weight	4.2 kg
Shipping Dimensions (WxDxH)	21.46" x 10.55" x 8.07" ; 545mm x 268mm x 205mm
Mounting	RACK-KIT-PX-1K-1U5

## Technical Specifications / Engineering Submittals

Raritan Model Number: PXE-1813ER

rev20180322

### ENVIRONMENTAL

---

Operating Temperature	60°C
Operating Relative Humidity	85%
Operating Elevation	0-10000ft

---

### CONFORMANCE

---

Regulatory Approvals	CE, Canada ICES-003, Part 15 Class A of the FCC rules, RoHS compliant
Warranty	Standard 2 years manufacturer warranty

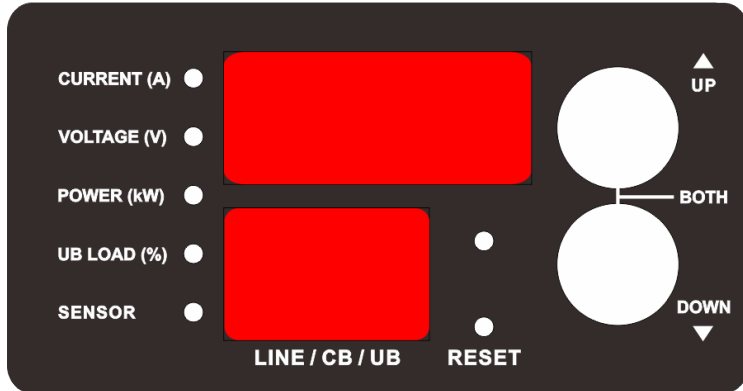
---

**Technical Specifications / Engineering Submittals**  
Raritan Model Number: PXE-1813ER

rev20180322

**CONTROL PANEL**

**Dimension: 76mm x 40mm**

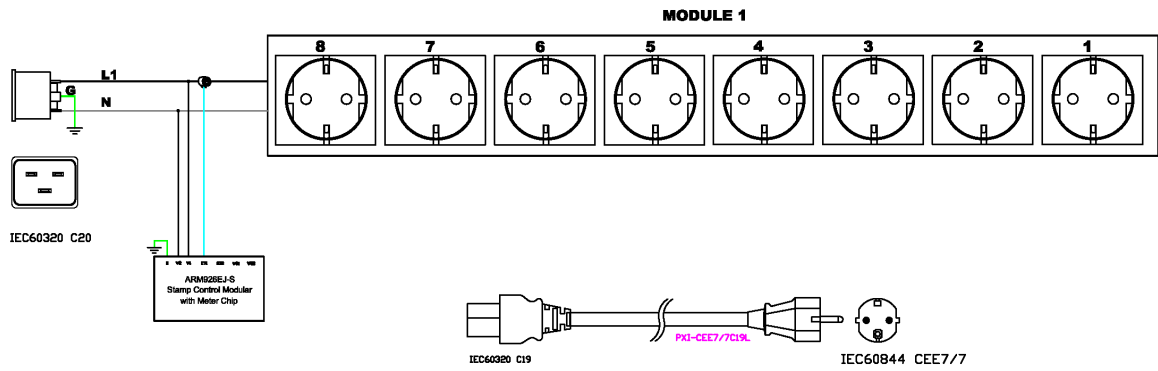


## Technical Specifications / Engineering Submittals

Raritan Model Number: PXE-1813ER

rev20180322

### ELECTRICAL (ONE LINE) DIAGRAM

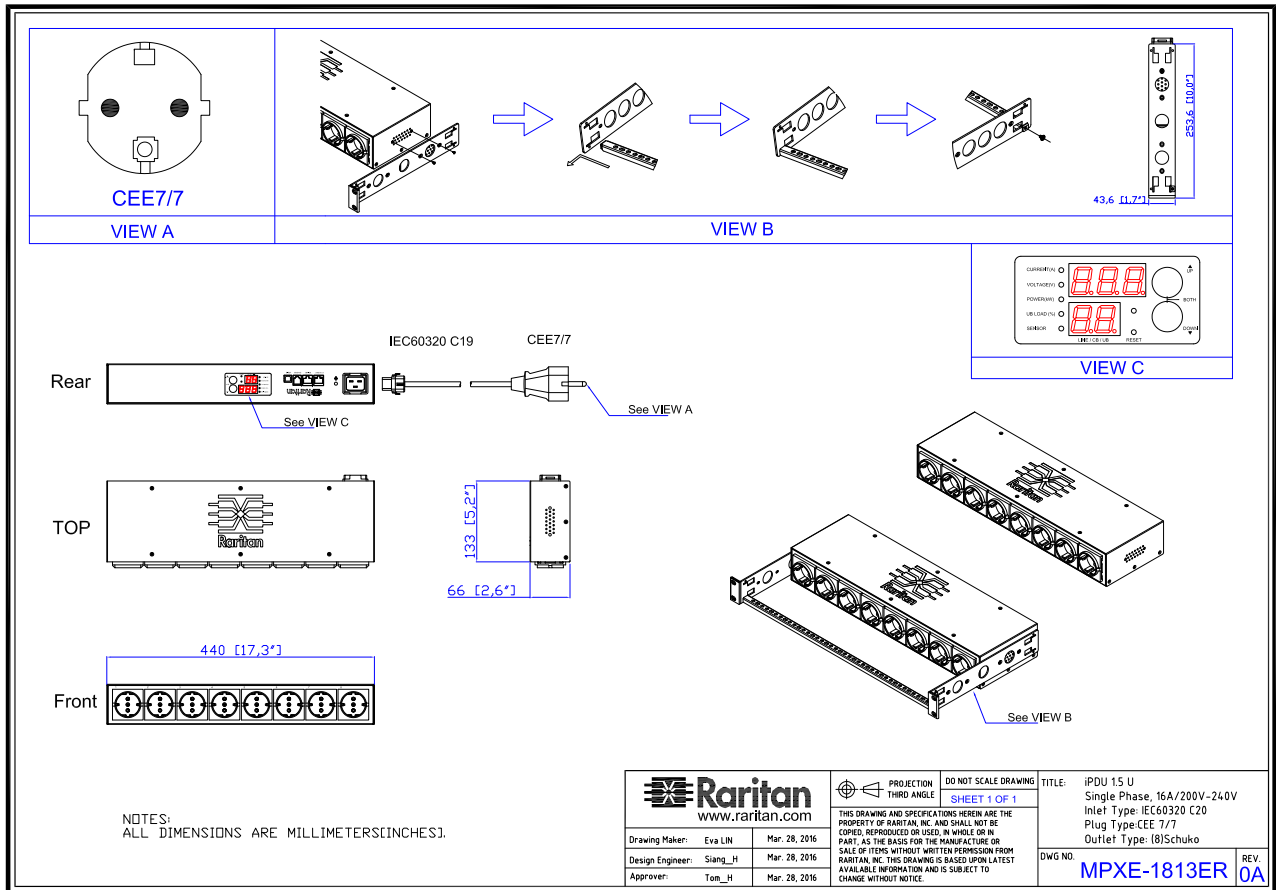


## Technical Specifications / Engineering Submittals

Raritan Model Number: PXE-1813ER

rev20180322

### MECHANICAL DIAGRAM



**Technical Specifications / Engineering Submittals**  
Raritan Model Number: PXE-1813ER

rev20180322

**TRIP CURVE**

This file generated on: Thu, March 22, 2018 - 05:57:17