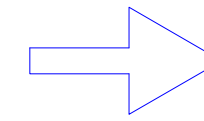
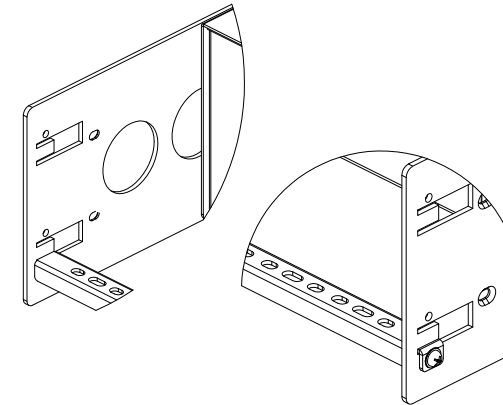
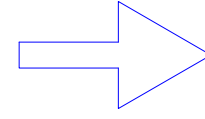
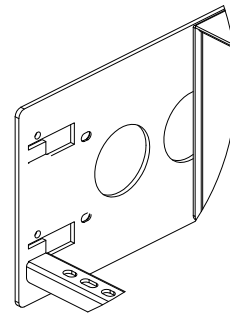
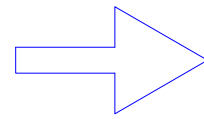
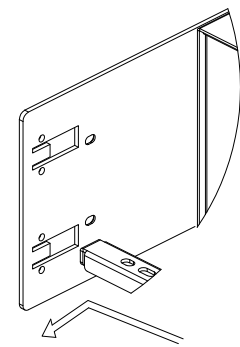
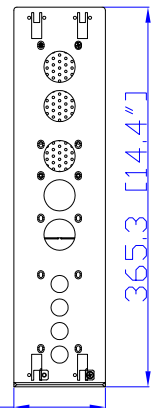


IEC60320 C20

VIEW A



88.1 [3.5"]



VIEW B

Rear

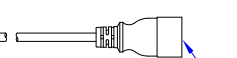


See VIEW C

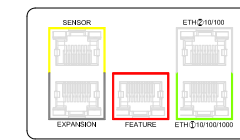
IEC60320 C19



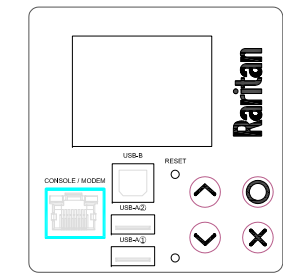
IEC60320 C20



See VIEW A

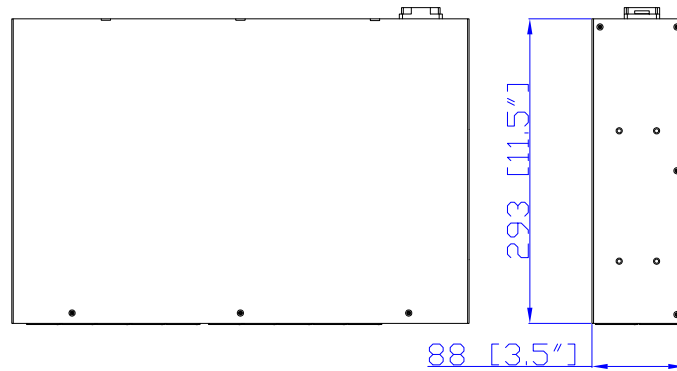


VIEW C



VIEW D

Top



293 [11.5"]

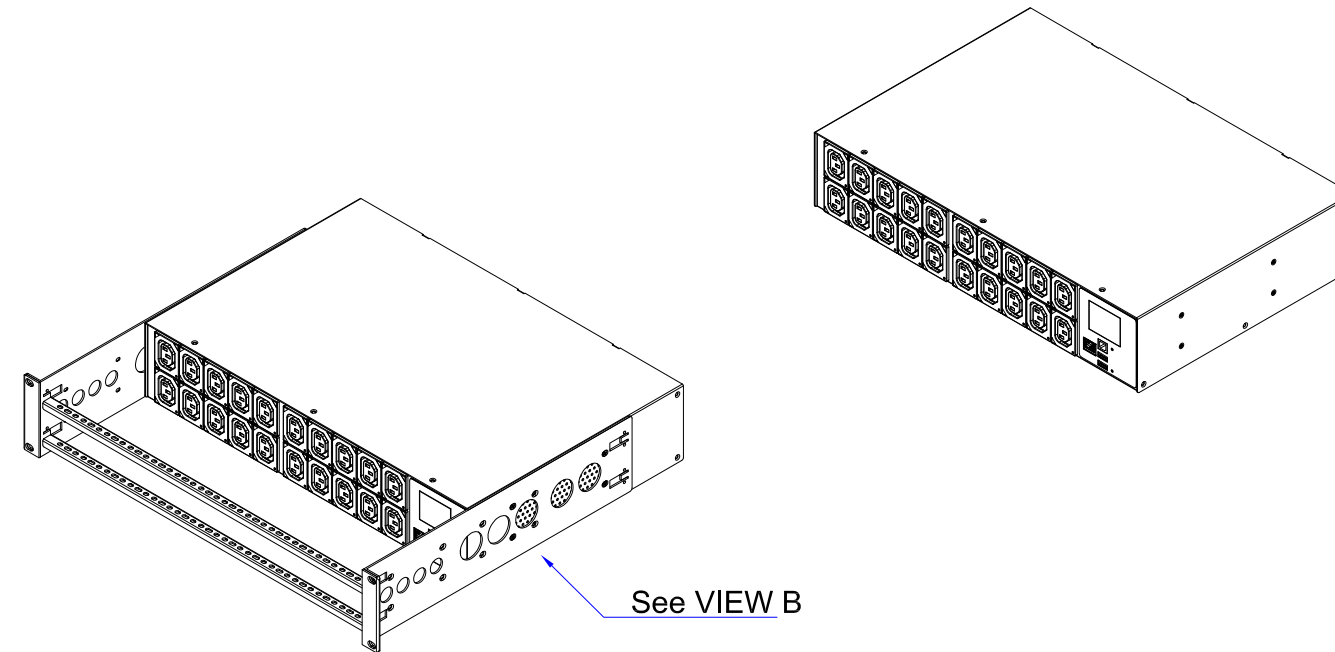
88 [3.5"]

Front



440 [17.3"]

See VIEW D



See VIEW B

NOTES:
ALL DIMENSIONS ARE MILLIMETERS[INCHES].

Raritan.
A brand of **Legrand**



PROJECTION
THIRD ANGLE

DO NOT SCALE DRAWING

SHEET 1 OF 1

Drawing Maker:	EVA LIN	Sep. 01, 2016
Design Engineer:	Sam_L	Sep. 01, 2016
Approver:	Tom_H	Sep. 01, 2016

THIS DRAWING AND SPECIFICATIONS HEREIN ARE THE PROPERTY OF RARITAN, INC. AND SHALL NOT BE COPIED, REPRODUCED OR USED, IN WHOLE OR IN PART, AS THE BASIS FOR THE MANUFACTURE OR SALE OF ITEMS WITHOUT WRITTEN PERMISSION FROM RARITAN, INC. THIS DRAWING IS BASED UPON LATEST AVAILABLE INFORMATION AND IS SUBJECT TO CHANGE WITHOUT NOTICE.

TITLE: iPDU Two U
Single phase, 16A/200V-240V
Inlet Type: IEC60320 C20
Plug Type: IEC60320 C20
Outlet Type:(20)IEC320 C13

DWG NO.
MPX3-5440CR & MPX3-4440CR

REV.
0A