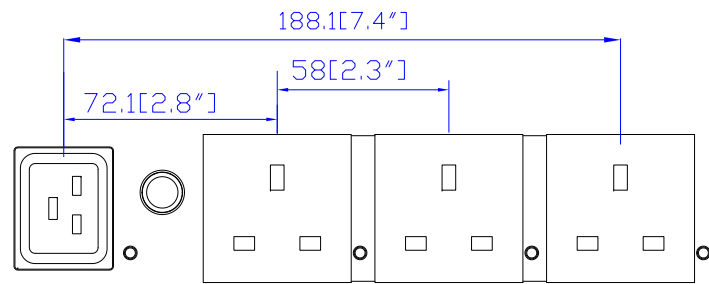


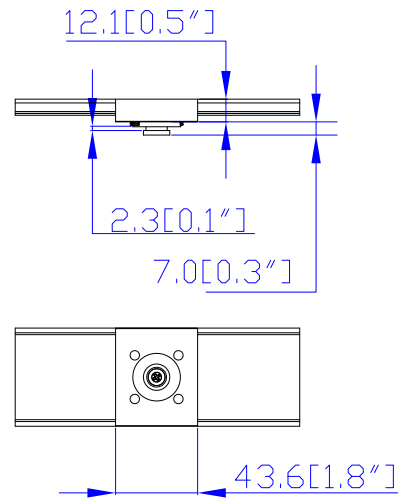
IEC60309 32A

VIEW A

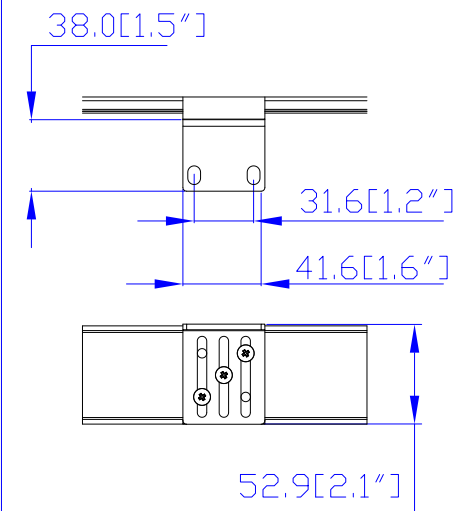


VIEW B

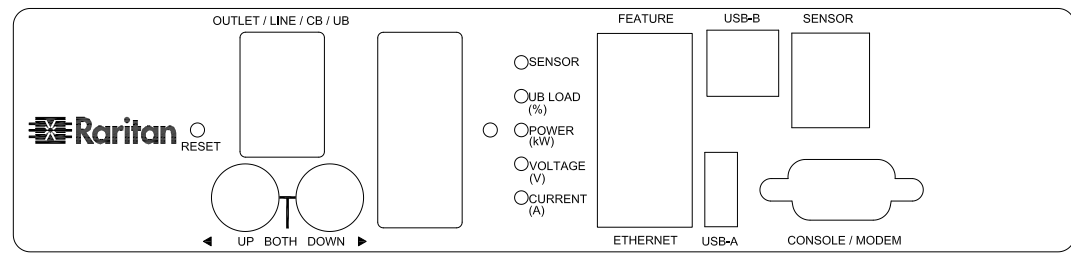
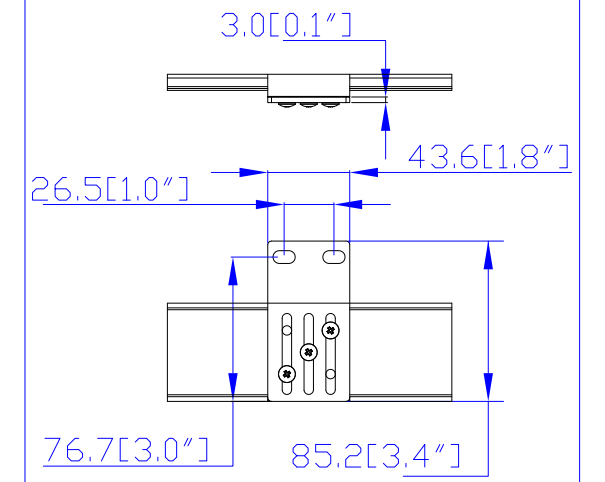
Option 1.



Option 2.



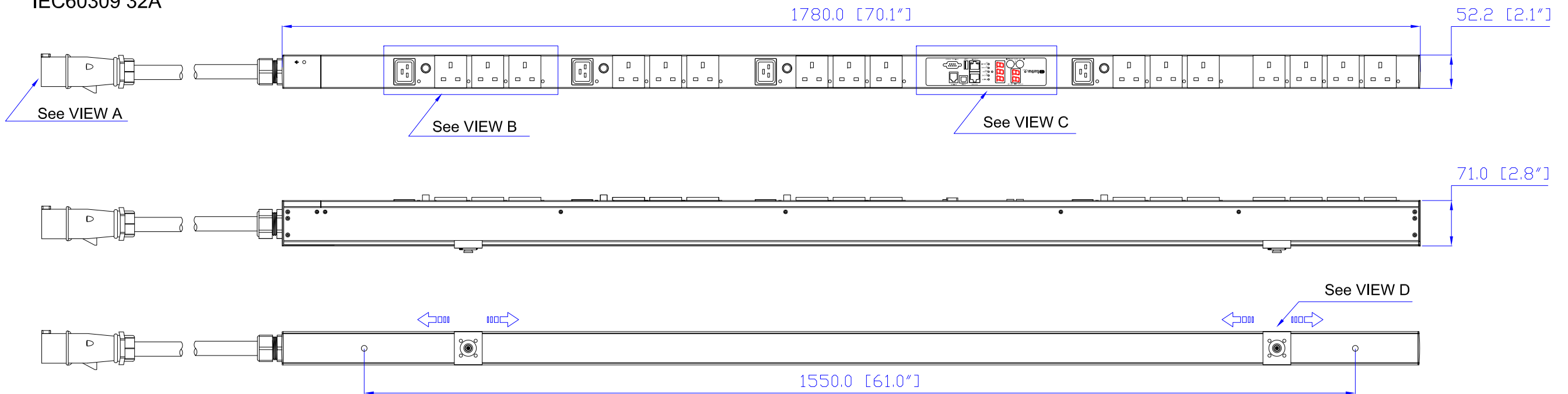
Option 3.



VIEW C

VIEW D

IEC60309 32A



NOTES:

1. ALL DIMENSIONS ARE MILLIMETERS [INCHES].



DRAWN :	EVA Lin	Aug 14, 2012
ENGINEER:	Siang_H	Aug 14, 2012
APPROVED:	Tom_H	Aug 14, 2012



DO NOT SCALE DRAWING

SHEET 1 OF 1

THIS DRAWING AND SPECIFICATIONS HEREIN ARE THE PROPERTY OF RARITAN, Inc. AND SHALL NOT BE COPIED, REPRODUCED OR USED, IN WHOLE OR IN PART, AS THE BASIS FOR THE MANUFACTURE OR SALE OF ITEMS WITHOUT WRITTEN PERMISSION FROM RARITAN, Inc. THIS DRAWING IS BASED UPON LATEST AVAILABLE INFORMATION AND IS SUBJECT TO CHANGE WITHOUT NOTICE.

TITLE:

iPDU Zero U,  
Single Phase, 32A/200V-240V,  
Plug Type: IEC60309 32A  
Outlet Type: (16) BS1363, (4) IEC320 C19

DWG NO.

MPX2-5805V-E1P1 & MPX2-4805V-E1P1

REV.

A