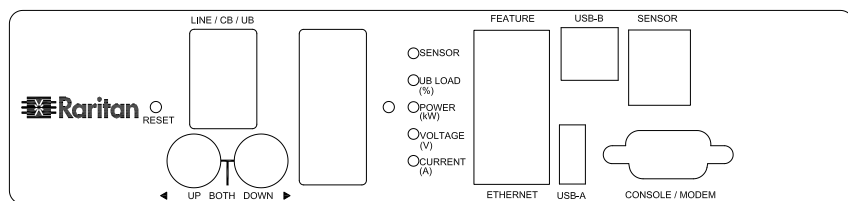
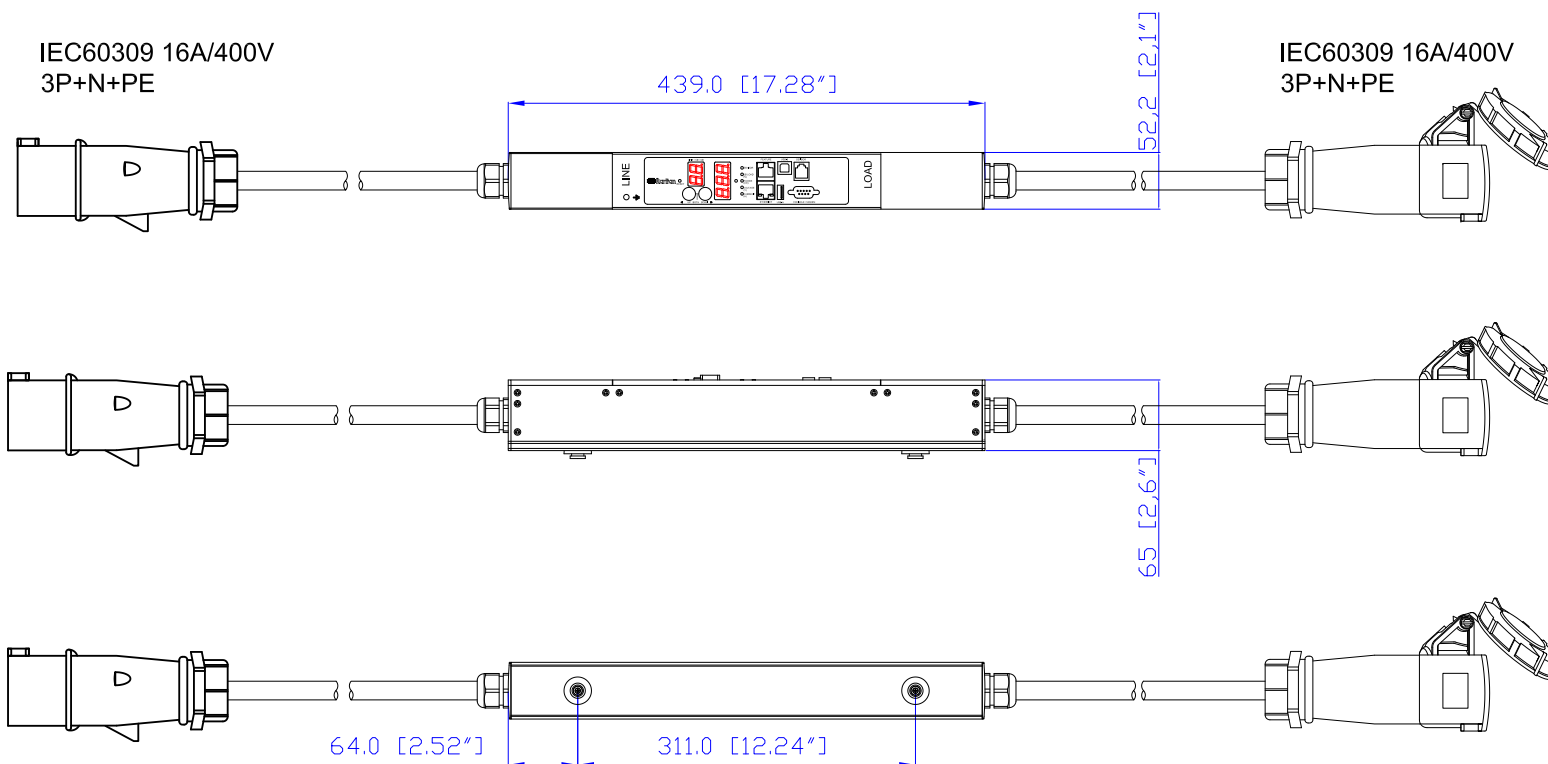
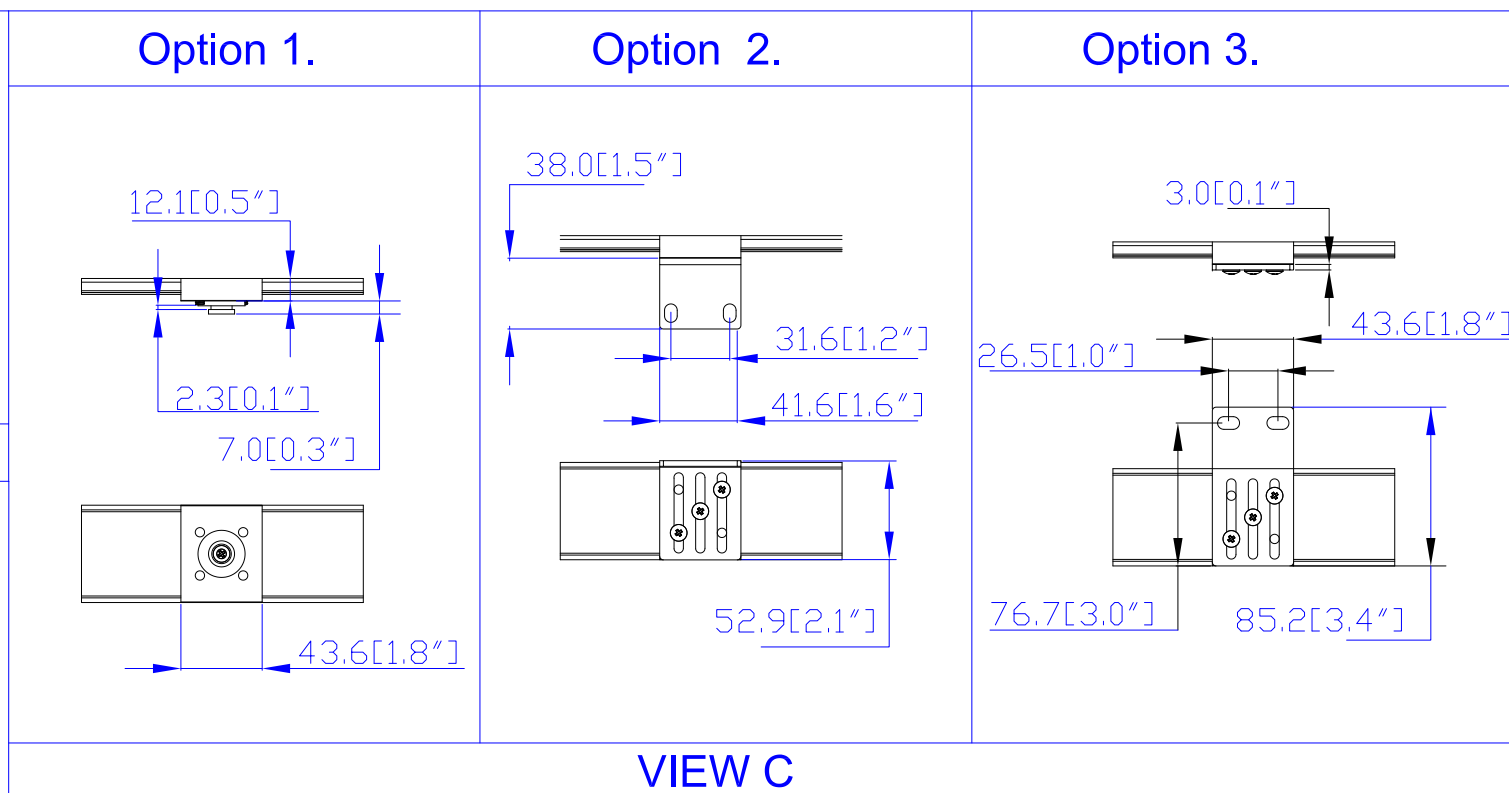


IEC60309 16A/400V
3P+N+PE



VIEW A



VIEW B



NOTES:
1. ALL DIMENSIONS ARE MILLIMETERS [INCHES].

		 PROJECTION THIRD ANGLE	DO NOT SCALE DRAWING	
			SHEET 1 OF 1	
DRAWN : EVALIN May 10, 2012 ENGINEER: Sam_L May 10, 2012 APPROVED: Tom_h May 10, 2012		THIS DRAWING AND SPECIFICATIONS HEREIN ARE THE PROPERTY OF RARITAN, INC. AND SHALL NOT BE COPIED, REPRODUCED OR USED, IN WHOLE OR IN PART, AS THE BASIS FOR THE MANUFACTURE OR SALE OF ITEMS WITHOUT WRITTEN PERMISSION FROM RARITAN, INC. THIS DRAWING IS BASED UPON LATEST AVAILABLE INFORMATION AND IS SUBJECT TO CHANGE WITHOUT NOTICE.		
		TITLE: iPDU Zero U, Three phase 16A 3Φ-Y / 380V-415V Input Plugs: IEC60309 16A 3PY Output Plugs: IEC60309 16A 3P R		DWG NO. MPX2-3162 REV. A