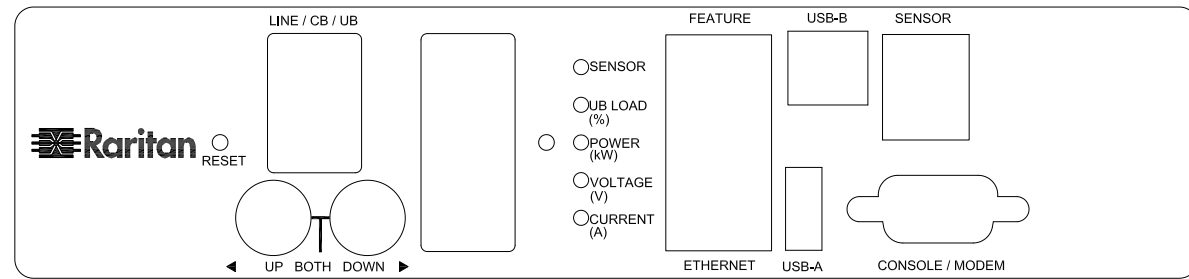
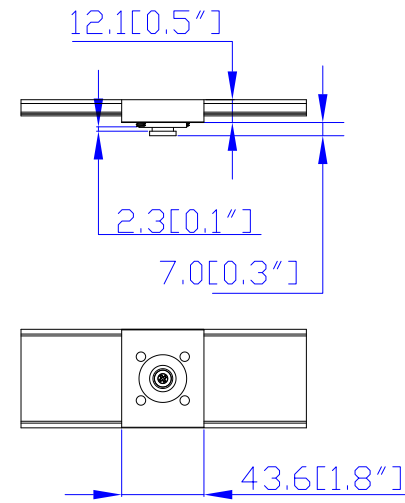


VIEW A

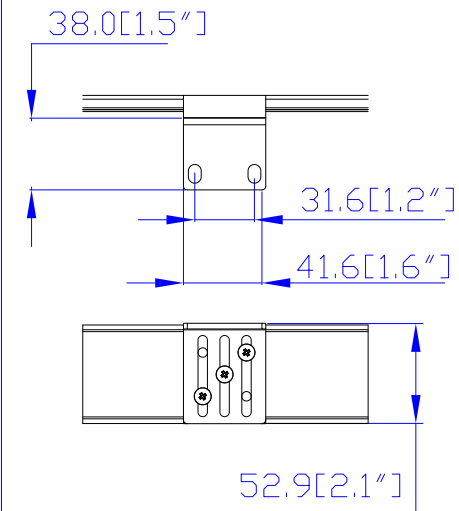


VIEW B

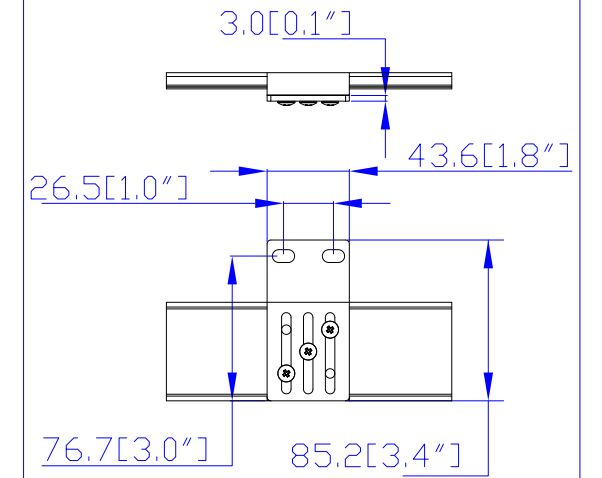
Option 1.



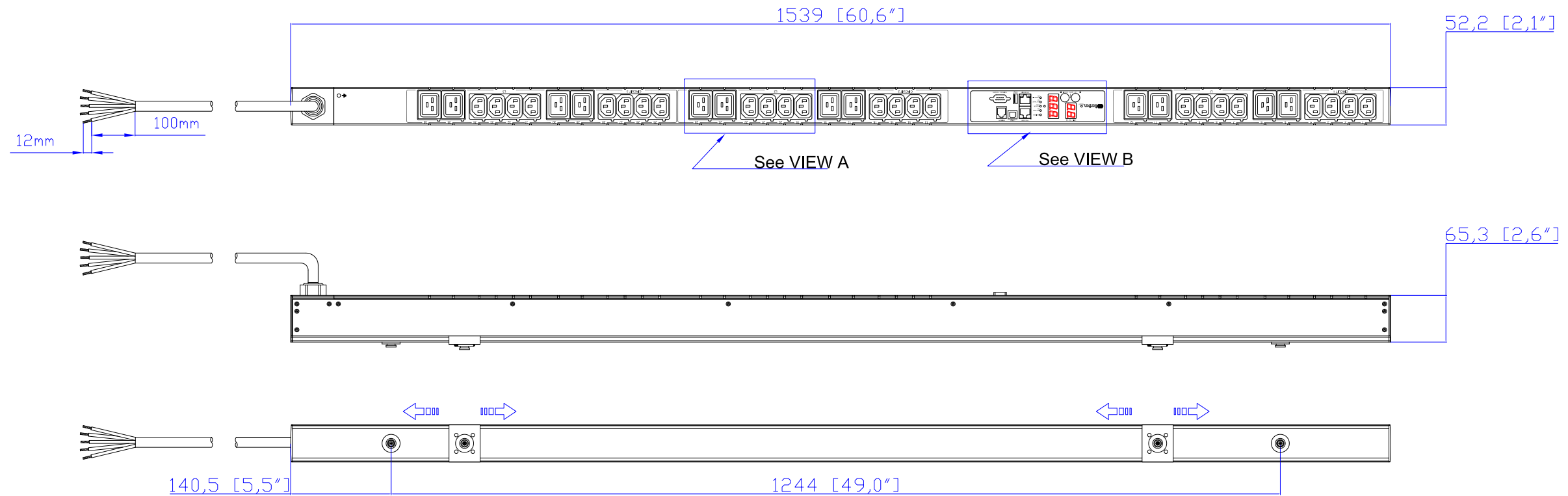
Option 2.



Option 3.



VIEW D



NOTES:
1. ALL DIMENSIONS ARE MILLIMETERS (INCHES).

		PROJECTION THIRD ANGLE	DO NOT SCALE DRAWING	TITLE: iPDU Zero U, Three Phase, 16A/380V-415V, Input: Non plug Output: (24)IEC320 C13 & (12)IEC320 C19 DWG NO. MPX2-2732N
			SHEET 1 OF 1	
DRAWN : EVA Lin	June 15, 2011	THIS DRAWING AND SPECIFICATIONS HEREIN ARE THE PROPERTY OF RARITAN, INC. AND SHALL NOT BE COPIED, REPRODUCED OR USED, IN WHOLE OR IN PART, AS THE BASIS FOR THE MANUFACTURE OR SALE OF ITEMS WITHOUT WRITTEN PERMISSION FROM RARITAN, INC. THIS DRAWING IS BASED UPON LATEST AVAILABLE INFORMATION AND IS SUBJECT TO CHANGE WITHOUT NOTICE..		
ENGINEER: Kevin_L	June 16, 2011			
APPROVED: Kevin_C	June 20, 2011			