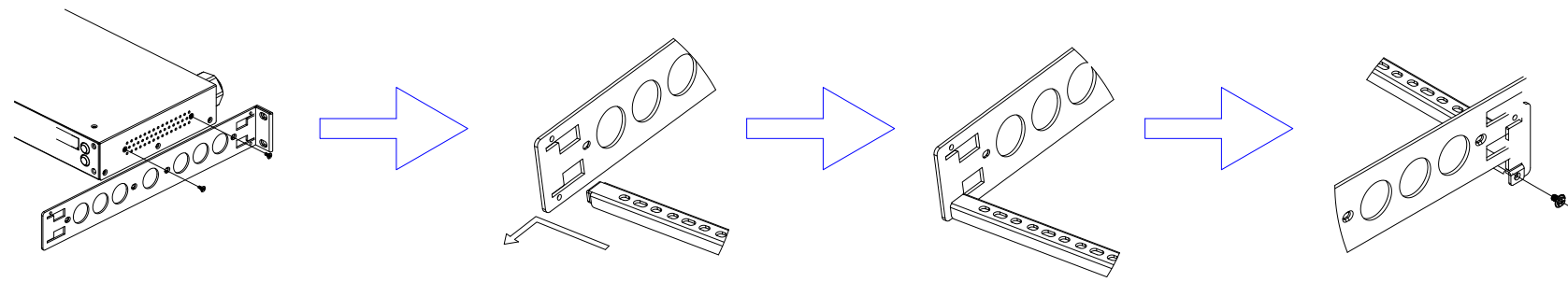
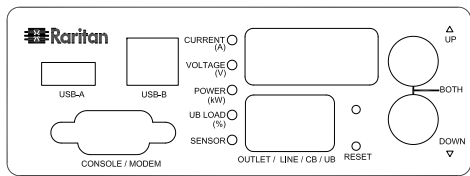
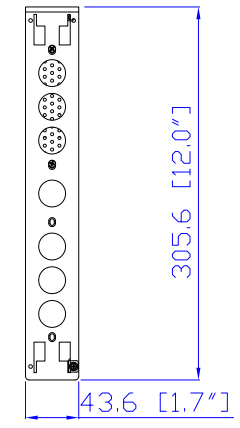


IEC309 32A/250V  
P+N+PE

VIEW A



VIEW B

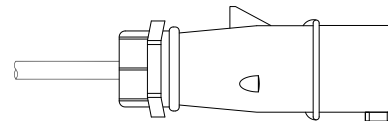


VIEW C

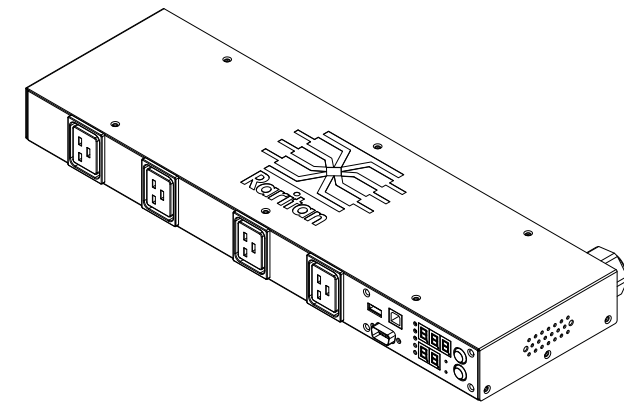
Rear



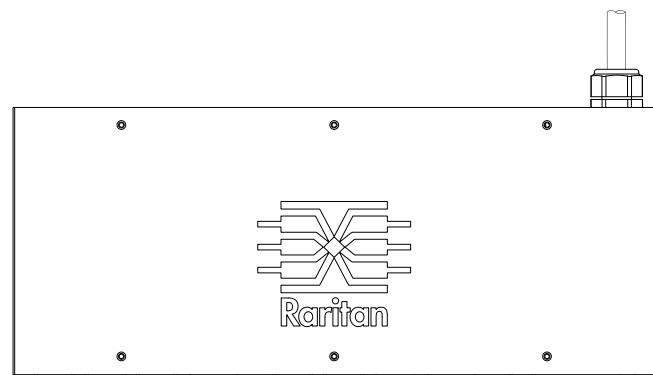
IEC309 32A/250V  
P+N+PE



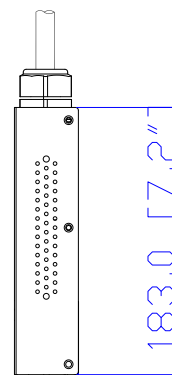
See VIEW A



TOP

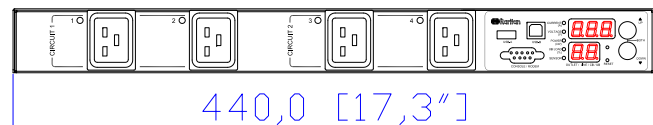


43,8 [1,7"]



183,0 [7,2"]

Front



440,0 [17,3"]

See VIEW C

See VIEW B

NOTES:  
ALL DIMENSIONS ARE MILLIMETERS[INCHES].



PROJECTION  
THIRD ANGLE

DO NOT SCALE DRAWING

SHEET 1 OF 1

THIS DRAWING AND SPECIFICATIONS HEREIN ARE THE PROPERTY OF RARITAN, INC. AND SHALL NOT BE COPIED, REPRODUCED OR USED, IN WHOLE OR IN PART, AS THE BASIS FOR THE MANUFACTURE OR SALE OF ITEMS WITHOUT WRITTEN PERMISSION FROM RARITAN, INC. THIS DRAWING IS BASED UPON LATEST AVAILABLE INFORMATION AND IS SUBJECT TO CHANGE WITHOUT NOTICE.

TITLE: iPDU One U,  
Single Phase, 32A/200V-240V  
Input: IEC309 32A/250V P+N+PE ,  
Output (4)IEC320 C19

DWG NO.  
**MPX2-4092R & MPX2-5092R**

REV.  
**A**

DRAWN :	Eva Lin	June 22,2011
ENGINEER:	Sam_L	June 24,2011
APPROVED:	Kevin_C	June 24,2011