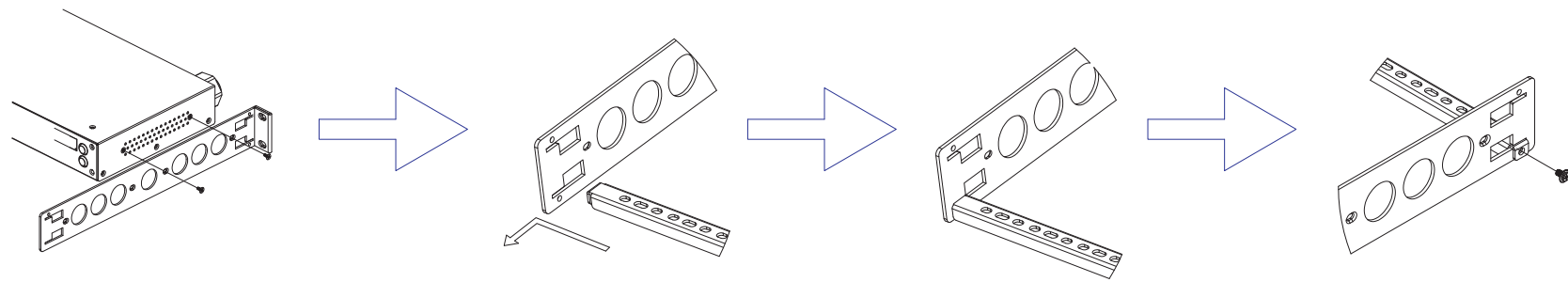
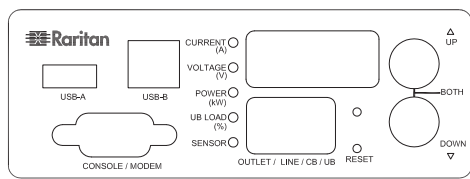
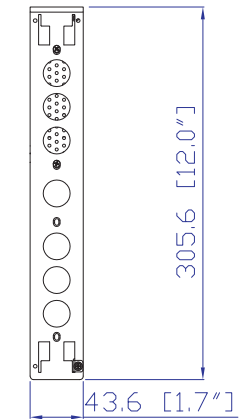


IEC60309 32A

VIEW A



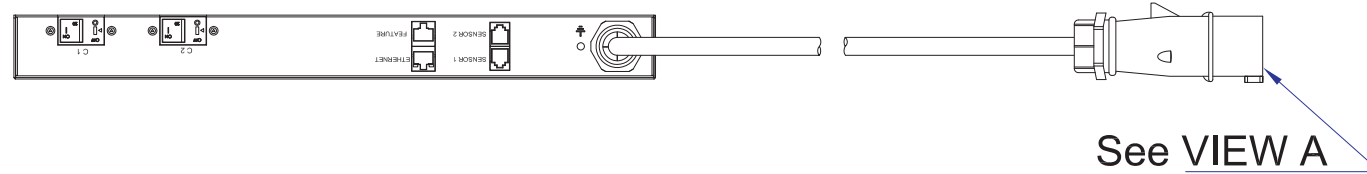
VIEW B



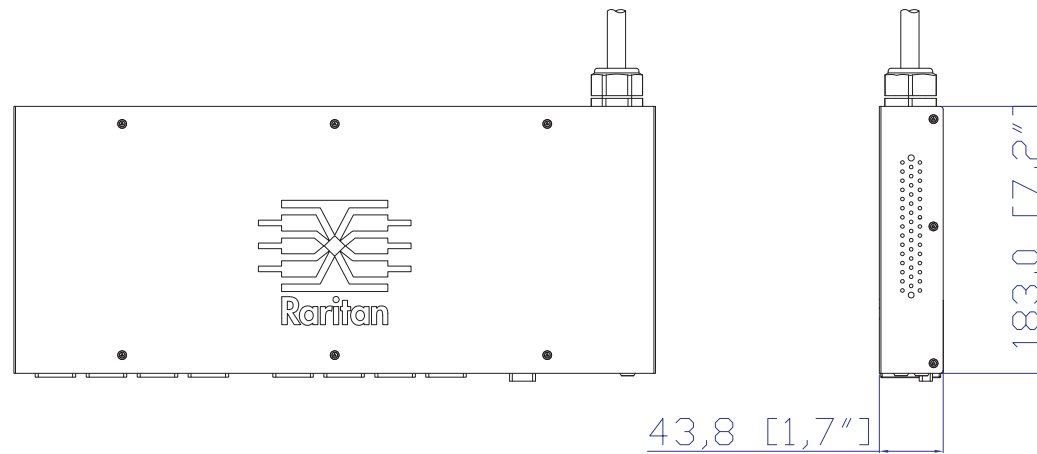
VIEW C

IEC60309 32A

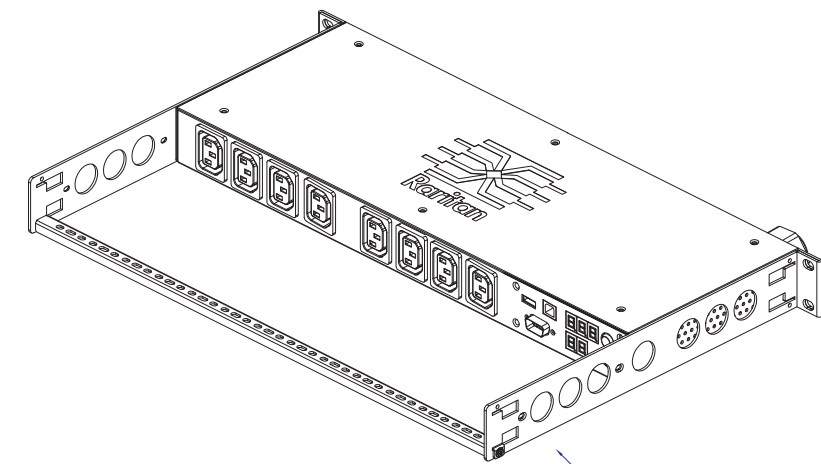
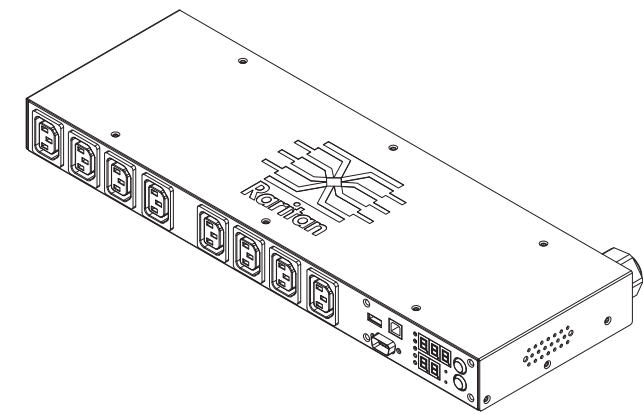
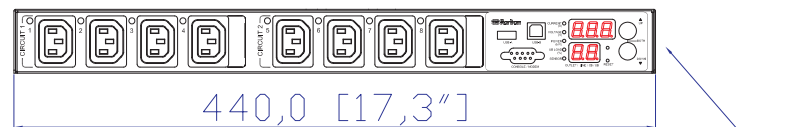
Rear



TOP



Front



See VIEW B

NOTES:
ALL DIMENSIONS ARE MILLIMETERS[INCHES].

Raritan www.raritan.com		PROJECTION THIRD ANGLE	DO NOT SCALE DRAWING	TITLE: iPDU One U Single Phase, 32A / 200V-240V Plug Type: IEC60309 32A Outlet Type: (8)IEC320 C13
			SHEET 1 OF 1	
DRAWN :	Eva Lin	Jul. 04. 2014	THIS DRAWING AND SPECIFICATIONS HEREIN ARE THE PROPERTY OF RARITAN, INC. AND SHALL NOT BE COPIED, REPRODUCED OR USED, IN WHOLE OR IN PART, AS THE BASIS FOR THE MANUFACTURE OR SALE OF ITEMS WITHOUT WRITTEN PERMISSION FROM RARITAN, INC. THIS DRAWING IS BASED UPON LATEST AVAILABLE INFORMATION AND IS SUBJECT TO CHANGE WITHOUT NOTICE.	
ENGINEER:	Siang Hung	Jul. 04. 2014		
APPROVED:	Tom Hsueh	Jul. 04. 2014		
			DWG NO.	MPX2-5204R & MPX2-4204R
			REV.	A