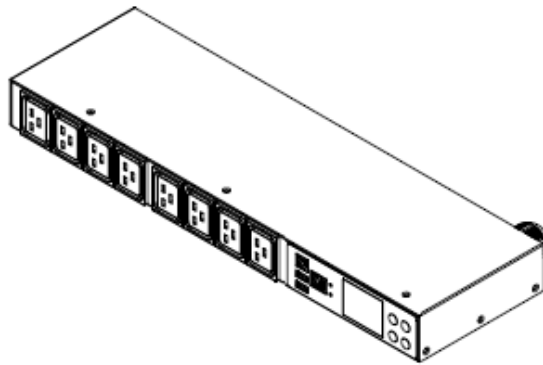


## Technical Specifications / Engineering Submittals

Raritan Model Number: PX3-1206R

rev20180620

### LINE DRAWING



### FEATURES

Energy Metering	Voltage (V), Current (A), Active Power (kW), Real Power (kVA), Energy (kWh), Power Factor
Metering Accuracy	ISO/IEC 62053-21 1%
Metering per Input Line	Yes
Metering per Branch Circuit Breaker	Yes
Metering per Output Receptacle	No
Remote Outlet Switching	No
Environmental Sensor Ready	Yes
Replaceable Controller	No
Compatible Sensors	Temperature, Humidity, Air Flow, Differential Pressure, Water Leak, and Contact Closure
Networking	Gigabit (10/100/1000 BaseT) Ethernet port; secondary, redundant (10/100 BaseT) Ethernet port. Optional WiFi (802.11a/b/g/n)
Remote Management	HTTP(s); SSH; Telnet; RS-232 (Serial); Power IQ; SNMP version v2/v3; SMTP; JSON-RPC; Modbus over TCP
Cascading	Yes, Max 16 PDUs can be daisy chained using a single Ethernet or USB connection
Onboard Display	Color, matrix LCD display : Voltage, current, or active power (per line or per breaker); Alarms; Configuration information (name, ratings, IP / Networking information)
Embedded Processor	ARM Cortex A5 536MHZ (Atmel A5D35A), 16MB SPI Flash, 64MB DDR2 RAM

## Technical Specifications / Engineering Submittals

Raritan Model Number: PX3-1206R

rev20180620

### INPUT

Input Plug	IEC 60309 2P+E 6h 32A (2P3W)
Cord Length	3 meters (9.84 feet) standard
Cord Entry	Rear feed
Cable Type	IP44("splashproof")
Number of Power Cords	1
Maximum Input Current	32A
Nominal Input Voltage	230V
Rated Input Voltage	200 - 240V
Input Frequency	50/60Hz
Power Capacity	6.4kVA at 200V, 7.7kVA at 240V

### OUTPUT

Nominal Output Voltage	230V
Rated Output Voltage	200 - 240V
Receptacles (Output Connections)	(8) IEC320 C19, 16A
Securelock Support	Yes
Cord Retention	No
Overload Protection	(2) Airpax LEGBX6-37483-16-V

### PHYSICAL

Color	Black powder coat (custom colors available)
Unit Dimensions (WxDxH)	17.3" x 5.2" x 1.7" ; 440mm x 133mm x 44mm
Unit Weight	4 kg
Shipping Weight	7 kg
Shipping Dimensions (WxDxH)	22.44" x 16.34" x 12.6" ; 570mm x 415mm x 320mm
Mounting	RACK-KIT-PX2-1K-1U

## Technical Specifications / Engineering Submittals

Raritan Model Number: PX3-1206R

rev20180620

### ENVIRONMENTAL

---

Operating Temperature 60°C

---

Operating Relative Humidity 85%

---

Operating Elevation 0-10000ft

---

### CONFORMANCE

---

Regulatory Approvals CE, Canada ICES-003, Part 15 Class A of the FCC rules, RoHS compliant

---

Warranty Standard 2 years manufacturer warranty

---

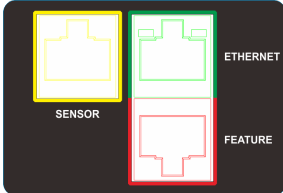
## Technical Specifications / Engineering Submittals

Raritan Model Number: PX3-1206R

rev20180620

### CONTROL PANEL

Dimension: 58mm x 40mm



### CONTROL PANEL2

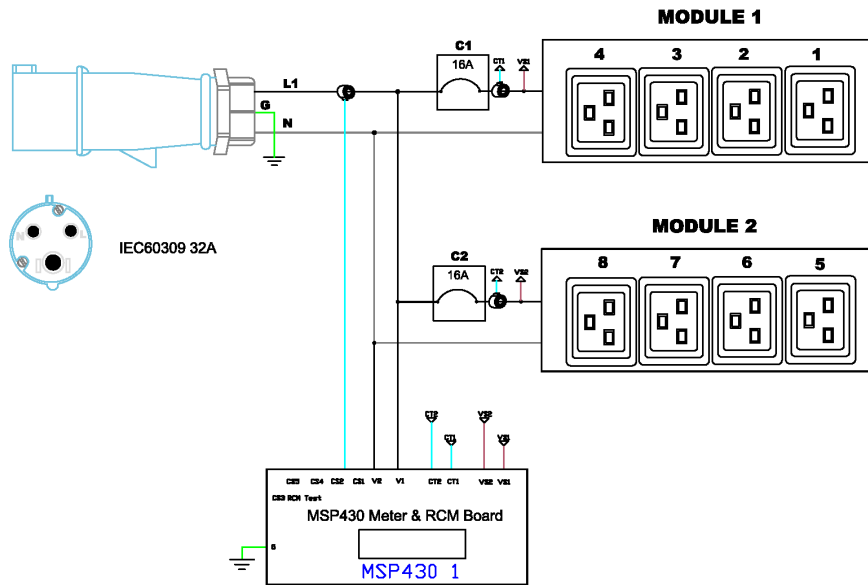
Dimension: 139mm x 40mm



**Technical Specifications / Engineering Submittals**  
Raritan Model Number: PX3-1206R

rev20180620

**ELECTRICAL (ONE LINE) DIAGRAM**

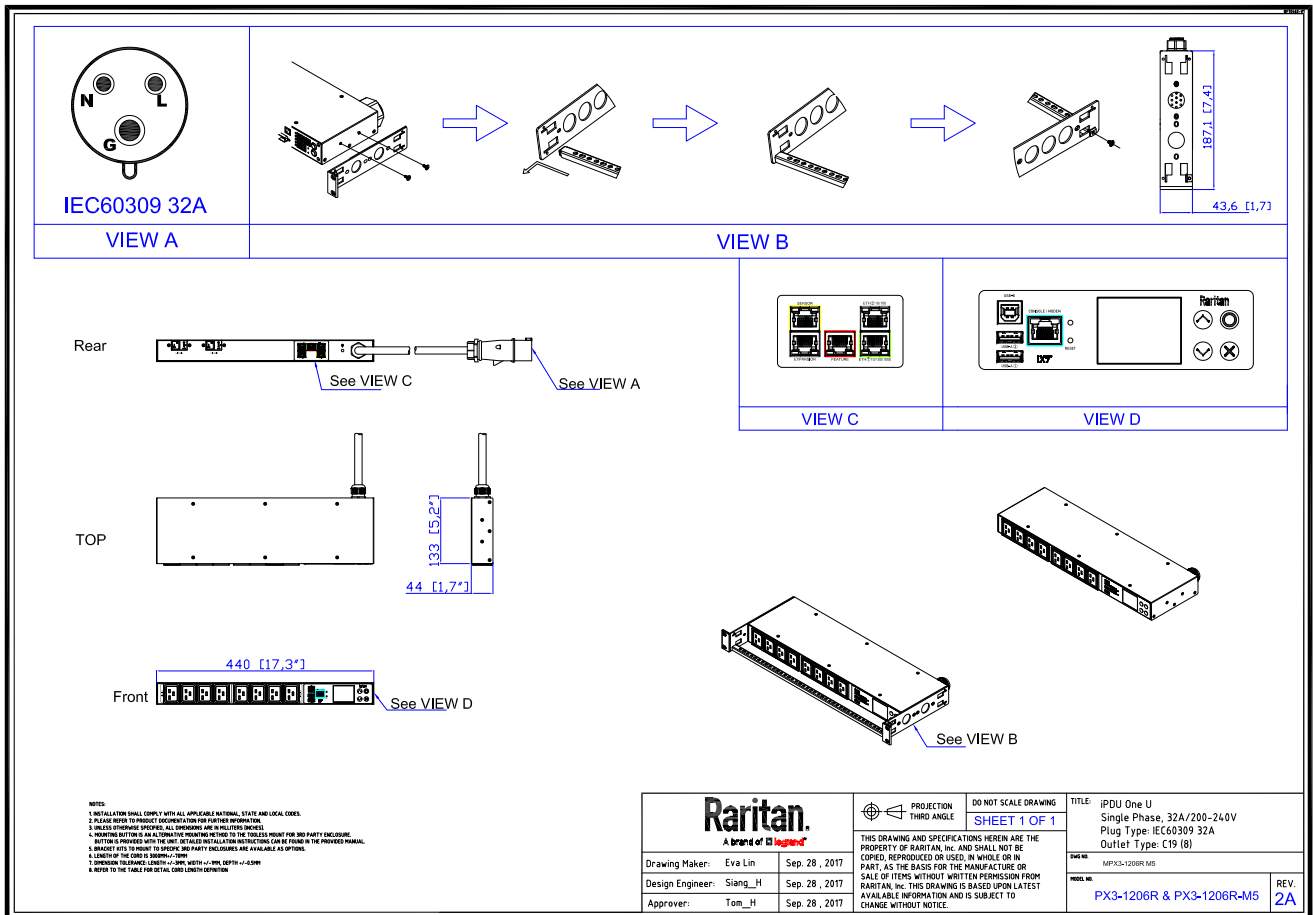


## Technical Specifications / Engineering Submittals

Raritan Model Number: PX3-1206R

rev20180620

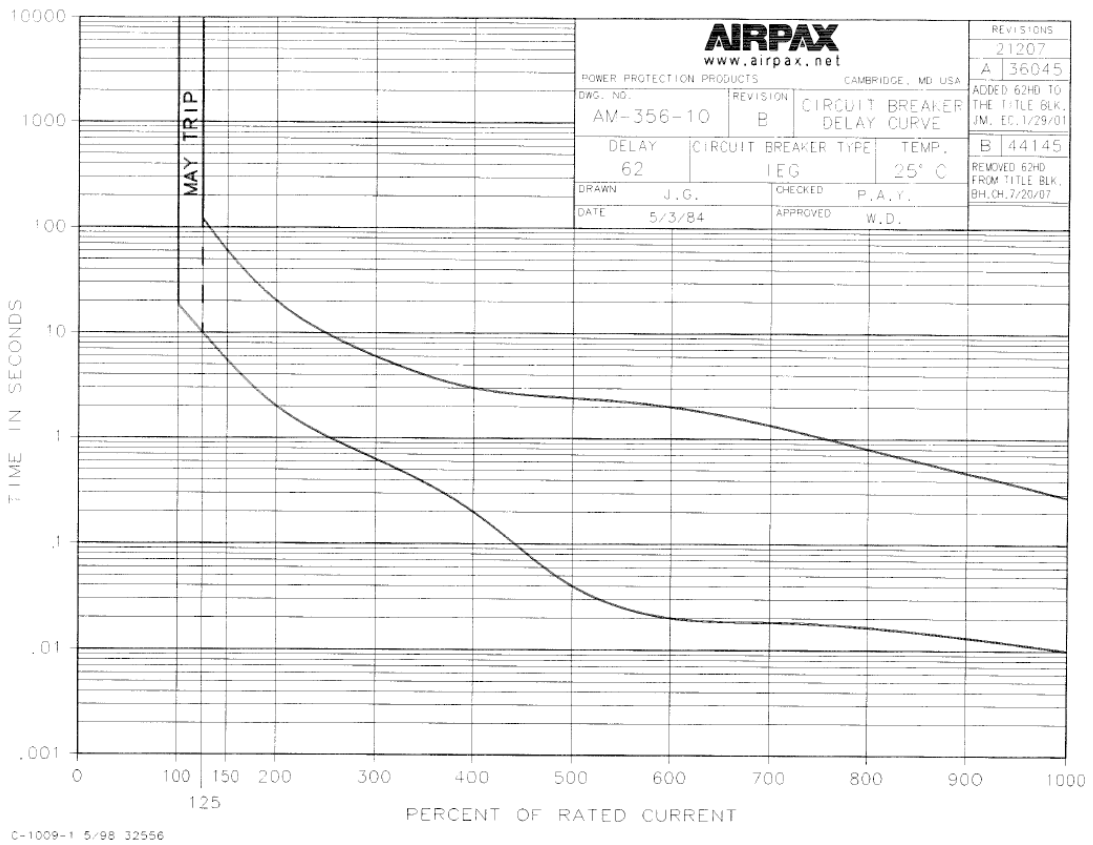
### MECHANICAL DIAGRAM



**Technical Specifications / Engineering Submittals**  
Raritan Model Number: PX3-1206R

rev20180620

**TRIP CURVE**



7