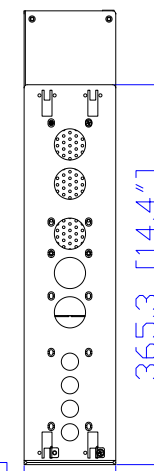
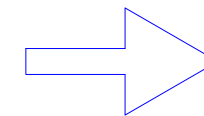
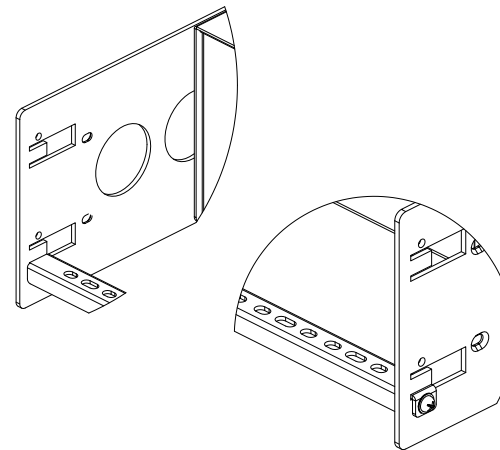
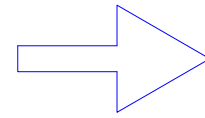
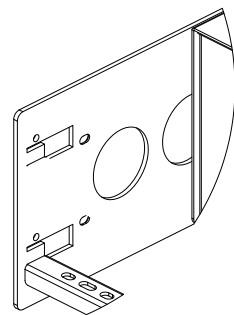
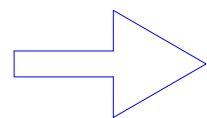
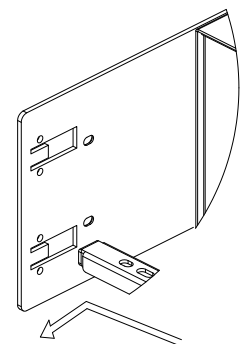


IEC309 32A/250V
P+N+PE

VIEW A

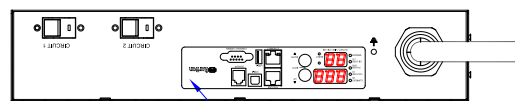


88.1 [3.5"]

365.3 [14.4"]

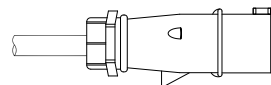
VIEW B

Rear

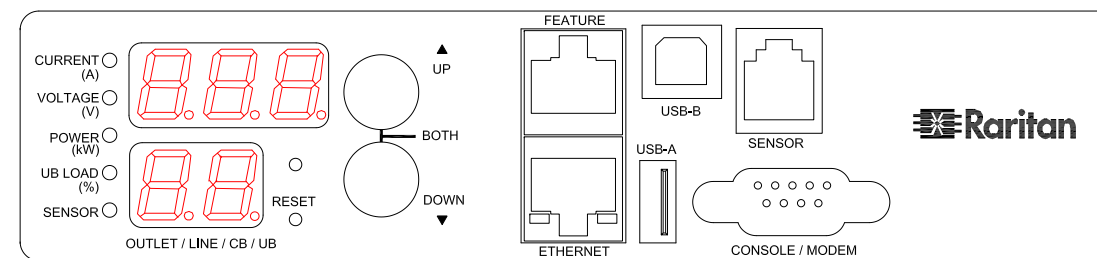


See VIEW C

IEC309 2A/250V
P+N+PE

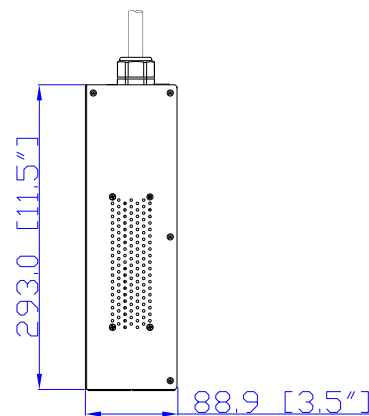
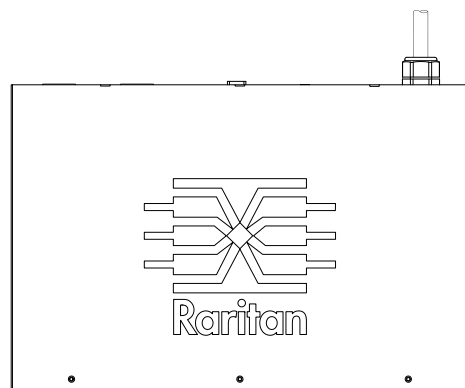


See VIEW A



VIEW C

TOP

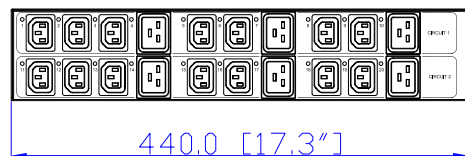


293.0 [11.5"]

88.9 [3.5"]

See VIEW B

Front



440.0 [17.3"]

NOTES:
1.ALL DIMENSIONS ARE MILLMETERS[INCHES].



DRAWN : EVA LIN Mar. 09,2011
ENGINEER: Sam-L Mar. 09,2011
APPROVED: Kevin_C Mar. 09,2011



DO NOT SCALE DRAWING

SHEET 1 OF 1

THIS DRAWING AND SPECIFICATIONS HEREIN ARE THE PROPERTY OF RARITAN, INC. AND SHALL NOT BE COPIED, REPRODUCED OR USED, IN WHOLE OR IN PART, AS THE BASIS FOR THE MANUFACTURE OR SALE OF ITEMS WITHOUT WRITTEN PERMISSION FROM RARITAN, INC. THIS DRAWING IS BASED UPON LATEST AVAILABLE INFORMATION AND IS SUBJECT TO CHANGE WITHOUT NOTICE.

TITLE:
iPDU Two U,
Single phase, 32A/200-240V
Input: IEC309 32A/250V P+N+PE
Output: (14)IEC320 C13 (6)IEC320 C19

DWG NO. **MPX2-5844R & MPX2-4844R** REV. **A**