

Technical Specifications / Engineering Submittals

Raritan Model Number: PX3-4629-N1

rev20180528

LINE DRAWING



FEATURES

Energy Metering	Voltage (V), Current (A), Active Power (kW), Real Power (kVA), Energy (kWh), Power Factor
Metering Accuracy	ISO/IEC 62053-21 1%
Metering per Input Line	Yes
Metering per Branch Circuit Breaker	Yes
Metering per Output Receptacle	Yes
Remote Outlet Switching	No
Environmental Sensor Ready	Yes
Replaceable Controller	Yes
Compatible Sensors	Temperature, Humidity, Air Flow, Differential Pressure, Water Leak, and Contact Closure
Networking	Gigabit (10/100/1000 BaseT) Ethernet port; secondary, redundant (10/100 BaseT) Ethernet port. Optional WiFi (802.11a/b/g/n)
Remote Management	HTTP(s); SSH; Telnet; RS-232 (Serial); Power IQ; SNMP version v2/v3; SMTP; JSON-RPC; Modbus over TCP
Cascading	Yes, Max 16 PDUs can be daisy chained using a single Ethernet or USB connection
Onboard Display	Color, matrix LCD display : Voltage, current, or active power (per line, per breaker, or per receptacle / outlet); Alarms; Configuration information (name, ratings, IP / Networking information); Auto-flip orientation
Embedded Processor	ARM Cortex A5 536MHZ (Atmel A5D35A), 16MB SPI Flash, 64MB DDR2 RAM

Technical Specifications / Engineering Submittals

Raritan Model Number: PX3-4629-N1

rev20180528

INPUT

Input Plug	NEMA L22-30P (4P5W)
Cord Length	3 meters (9.84 feet) standard
Cord Entry	Bottom-front feed
Cable Type	IP44("splashproof")
Number of Power Cords	1
Maximum Input Current	30A
Nominal Input Voltage	415V 3 phase
Rated Input Voltage	360 - 415V 3 phase
Input Frequency	50/60Hz
Power Capacity	15.0kVA at 360V, 17.3kVA at 415V

OUTPUT

Nominal Output Voltage	208V
Rated Output Voltage	208 - 240V
Receptacles (Output Connections)	(24) IEC320 C13, 12A
Securelock Support	Yes
Cord Retention	Yes
Overload Protection	(6) Airpax LELBX1-20

PHYSICAL

Color	Black powder coat (custom colors available)
Unit Dimensions (WxDxH)	3.5" x 3.1" x 41.1" ; 89mm x 80mm x 1044mm
Unit Weight	7.5 kg
Shipping Weight	9.5 kg
Shipping Dimensions (WxDxH)	14.37" x 5.31" x 46.22" ; 365mm x 135mm x 1174mm
Mounting	Tool-less button mount

Technical Specifications / Engineering Submittals

Raritan Model Number: PX3-4629-N1

rev20180528

ENVIRONMENTAL

Operating Temperature 60°C

Operating Relative Humidity 85%

Operating Elevation 0-10000ft

CONFORMANCE

Regulatory Approvals UL Listed, Canada ICES-003, Part 15 Class A of the FCC rules, RoHS compliant

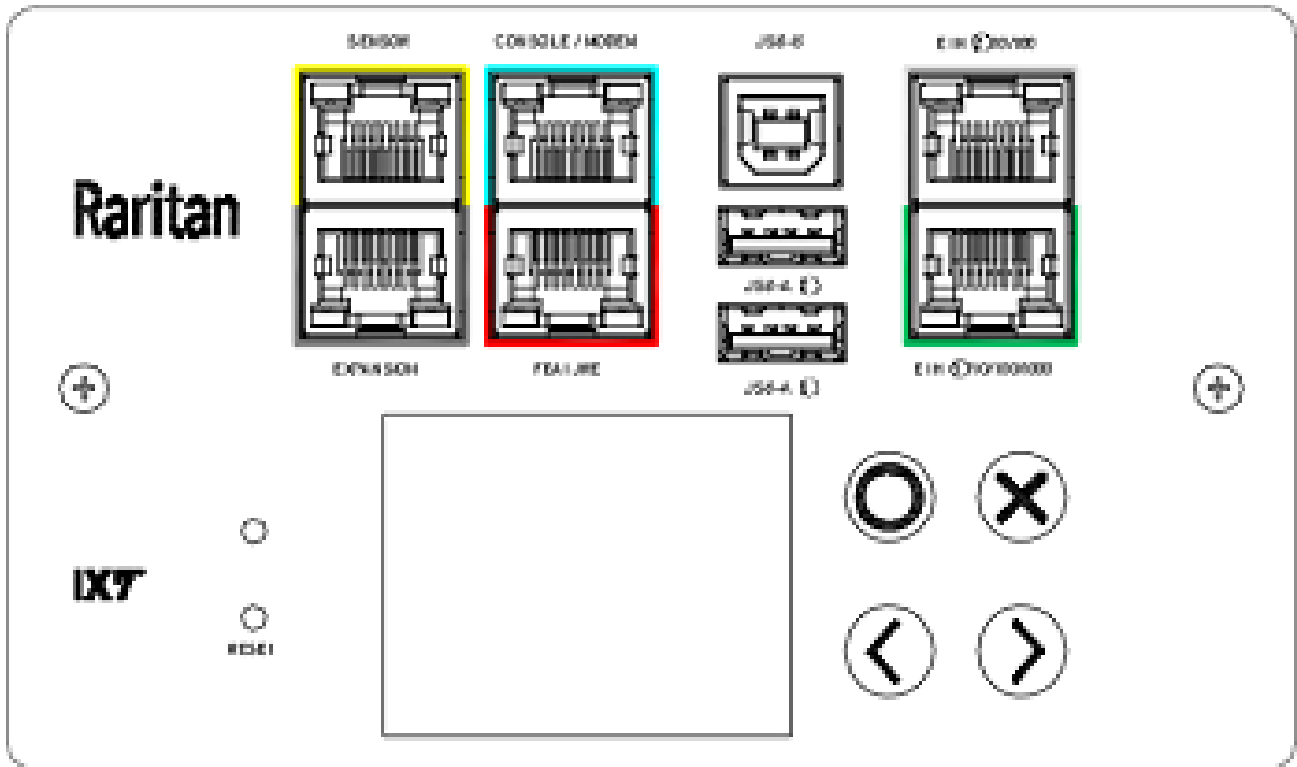
Warranty Standard 2 years manufacturer warranty

Technical Specifications / Engineering Submittals

Raritan Model Number: PX3-4629-N1

rev20180528

CONTROL PANEL

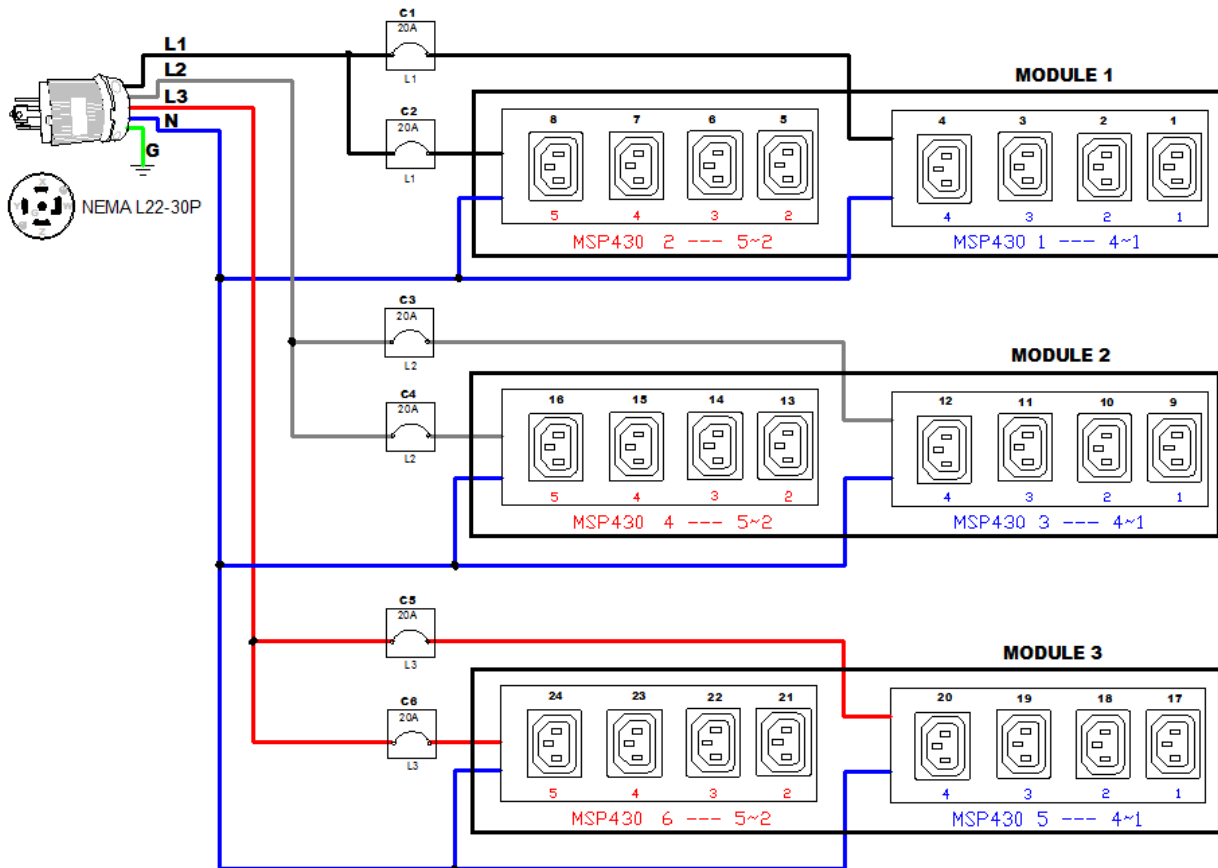


Technical Specifications / Engineering Submittals

Raritan Model Number: PX3-4629-N1

rev20180528

ELECTRICAL (ONE LINE) DIAGRAM

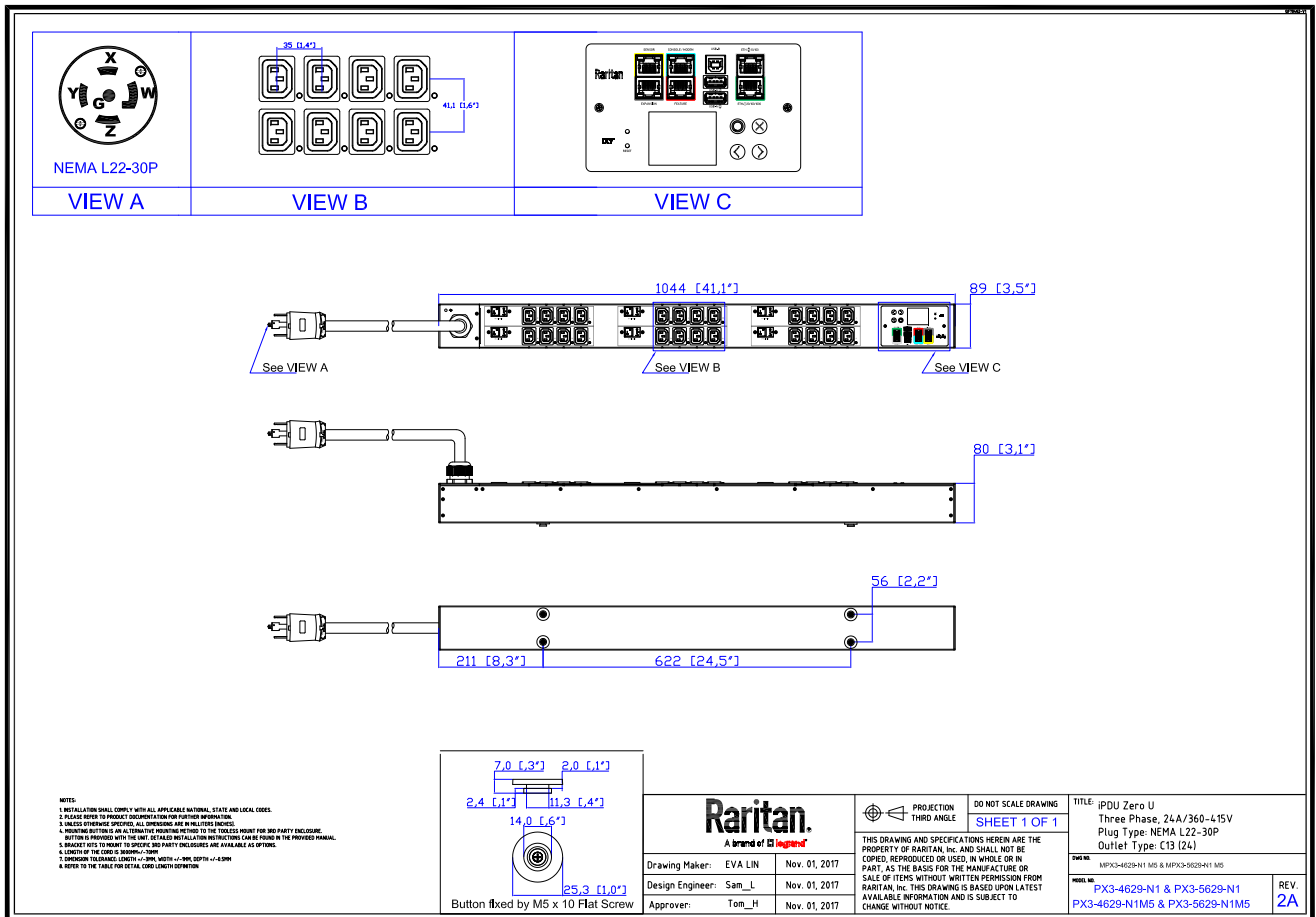


Technical Specifications / Engineering Submittals

Raritan Model Number: PX3-4629-N1

rev20180528

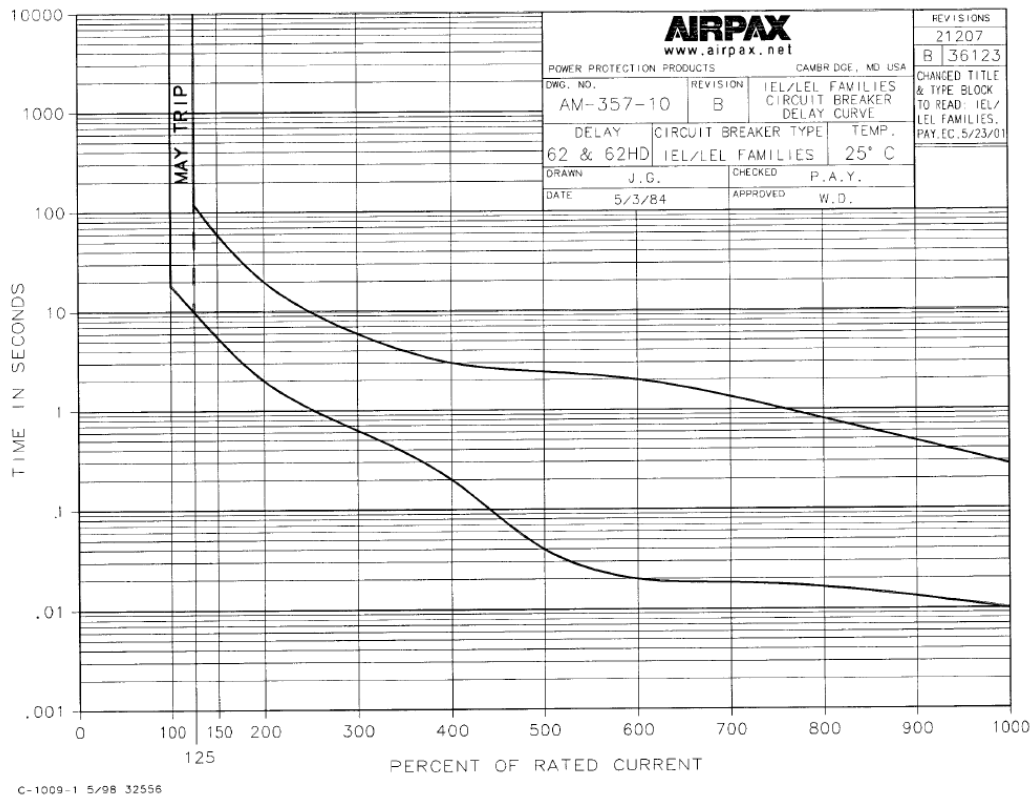
MECHANICAL DIAGRAM



Technical Specifications / Engineering Submittals
Raritan Model Number: PX3-4629-N1

rev20180528

TRIP CURVE



7