

DP-9521

4K2K DP/ VGA USB KVM Extender over IP with Video-Wall

The DP-9521 is a perfect solution for 4K2K DP (DisplayPort)/VGA with USB/IR/RS232 over Gigabit IP Ethernet. The system includes DP-9521T Transmitter (TX) and AV-9520R Receiver (RX). The TX connects to PC or Blu-ray player for the 4K2K DP (DisplayPort)/VGA source, the RX connects to display, speaker, microphone, and USB devices. The solution is based on the standard IP technology, the TX converts input signals (DP, VGA, Audio, USB, ...) to IP packets and Multicast/Unicast to Gigabit Ethernet switch. On the other end of RXs, receiving IP packets from Ethernet switch then converts to HDMI, Audio, USB... and send to display, speaker, USB devices. The 4K2K Encoder/Decoder engine built with Scaling function, multiple RXs are flexible to be configured as Video-Wall displays. Perfect for AV Broadcasting, KVM Matrix Control, Video-Wall applications like informational displays, entertainment, boardrooms, courtrooms, medical, military, and education digital signage.

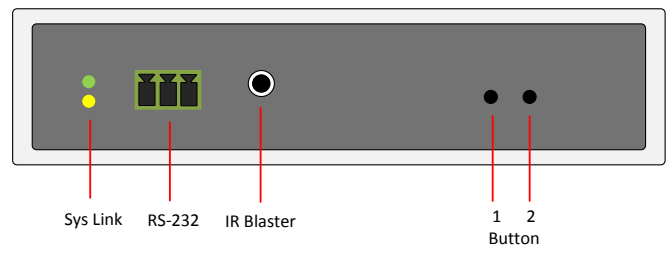
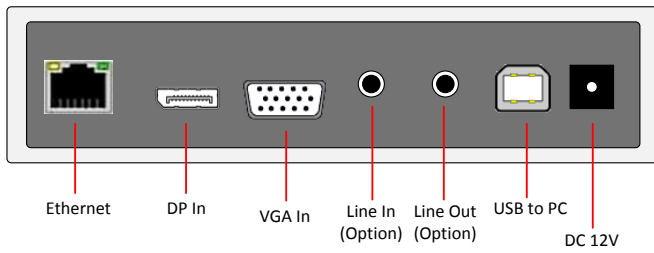


Features

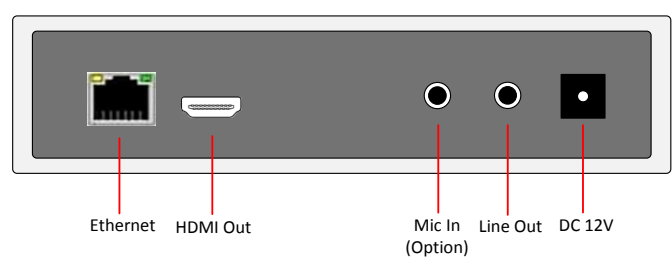
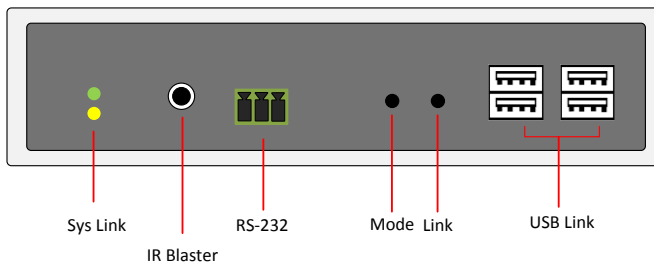
- ❖ Support VGA 1080p or 4K2K DP (DisplayPort) 3840 x 2160 resolution.
- ❖ All TX/RX are based on Gigabit Ethernet Switch, easy cabling, easy installation, easily maintain.
- ❖ Support one-to-one (Unicast), one-to-many (Multicast) for Audio/Video real time broadcasting.
- ❖ Support many-to-many Group Broadcasting if the Ethernet switch enabled the IGMP.
- ❖ Support USB for KVM PC control, you can attach keyboard, mouse, touch screen, storage at the Receiver site to control the PC at the Transmitter site.
- ❖ The 4K2K Encoder/Decoder engine built with Scaling function, multiple RXs are flexible to be configured as Video-Wall displays with 180, 270° Rotation.
- ❖ Support both HDMI and 3.5mm stereo audio, you can use speaker/microphone at the Receiver.
- ❖ Support IR option, you can use the IR remote controller at Receiver site to control the set-top box at the Transmitter site.
- ❖ Support RS-232 bridge option, you can send RS-232 data in between PC and screens.
- ❖ Pure hardware design, plug-and-play, no any additional software installation required.
- ❖ Built-in HTTP for the IP address, device name, Multi/Unicast, Baud Rate, ... settings.
- ❖ Provide Connection Manager Software for Transmitters/Receivers connection Management.
- ❖ Provide Video-Wall Manager Software for Video-Wall Configuration and Operation Management.
- ❖ FCC, CE, RoHS compliant.

Front, Rear Panel View

DP-9521T

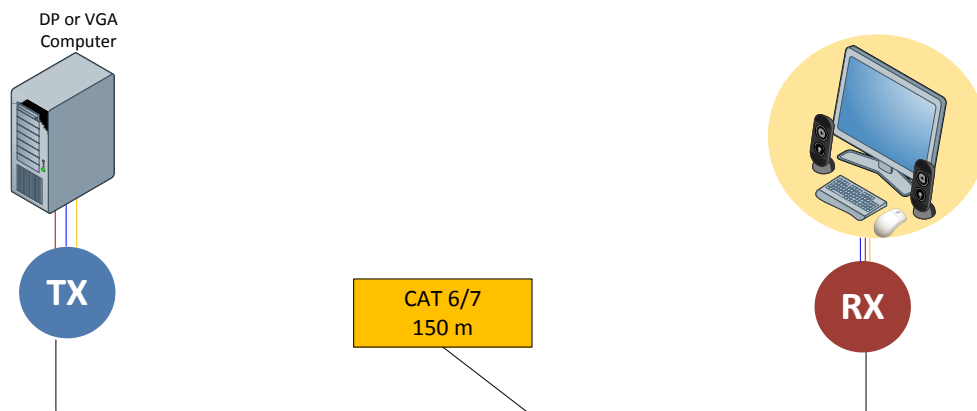


AV-9520R

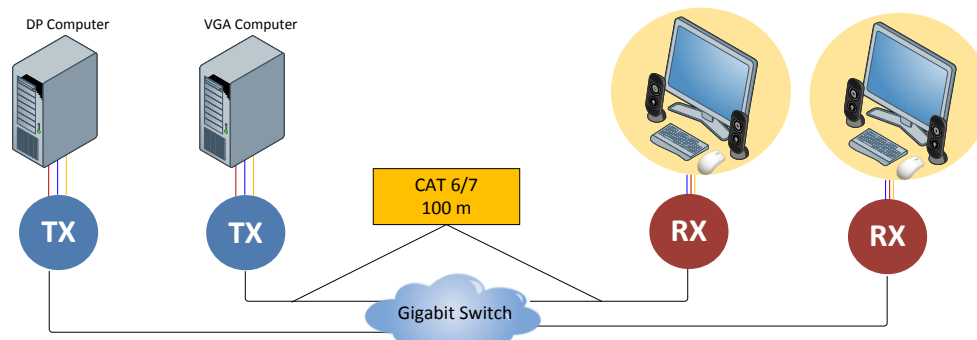


Wiring Connection

Direct connection



Many to Many



Specification

Model No.		Transmitters	Receiver
		DP-9521T	AV-9520R
Connectors	DP (DisplayPort) Input	1	N/A
	VGA Input	1	N/A
	HDMI Output	N/A	1
	Power	DC 12V 2A	
	Network Port	1 x RJ45 Gigabit	
	USB Upstream (to PC)	1	N/A
	USB to Devices	N/A	2 x USB 2.0 + 2 x USB 1.1
	Mounting Holes	Yes	
	3.5mm Line-In	1	N/A
	3.5mm Mic-In	N/A	1
	3.5mm Line-Out	1	
	IR remote control (option)	1 x IR Blaster	1 x IR Receiver
	RS-232	Yes	
Resolution		1080p or 4K2K (3840x2160@30Hz)	
Inter-connect Cable		CAT 6 / 7	
Environment	Operation Temperature	0~50°C	
	Storage Temperature	-20~ 85°C	
	Humidity	0~80% Non-condensing	
Physical Properties	Material	Metal (Black)	
	Weight	453 g	458 g
	Dimension	150x110x28mm	150x110x28 mm

Diagram

