

## Technical Specifications / Engineering Submittals

Raritan Model Number: PX3-1528-M5P1

rev20180528

### LINE DRAWING



### FEATURES

|                                     |  |
|-------------------------------------|--|
| Energy Metering                     | Voltage (V), Current (A), Active Power (kW), Real Power (kVA), Energy (kWh), Power Factor  |
| Metering Accuracy                   | ISO/IEC 62053-21 1%  |
| Metering per Input Line             | Yes  |
| Metering per Branch Circuit Breaker | Yes  |
| Metering per Output Receptacle      | No   |
| Remote Outlet Switching             | No   |
| Environmental Sensor Ready          | Yes  |
| Replaceable Controller              | Yes  |
| Compatible Sensors                  | Temperature, Humidity, Air Flow, Differential Pressure, Water Leak, and Contact Closure  |
| Networking                          | Gigabit (10/100/1000 BaseT) Ethernet port; secondary, redundant (10/100 BaseT) Ethernet port. Optional WiFi (802.11a/b/g/n)  |
| Remote Management                   | HTTP(s); SSH; Telnet; RS-232 (Serial); Power IQ; SNMP version v2/v3; SMTP; JSON-RPC; Modbus over TCP   |
| Cascading                           | Yes, Max 16 PDUs can be daisy chained using a single Ethernet or USB connection  |
| Onboard Display                     | Color, matrix LCD display : Voltage, current, or active power (per line or per breaker); Alarms; Configuration information (name, ratings, IP / Networking information); Auto-flip orientation |
| Embedded Processor                  | ARM Cortex A5 536MHZ (Atmel A5D35A), 16MB SPI Flash, 64MB DDR2 RAM   |

## Technical Specifications / Engineering Submittals

Raritan Model Number: PX3-1528-M5P1

rev20180528

### INPUT

|                       |                                  |
|-----------------------|----------------------------------|
| Input Plug            | IEC 60309 3P+N+E 6h 32A (4P5W)   |
| Cord Length           | 3 meters (9.84 feet) standard    |
| Cord Entry            | Bottom-front feed                |
| Cable Type            | IP44("splashproof")              |
| Number of Power Cords | 1                                |
| Maximum Input Current | 32A                              |
| Nominal Input Voltage | 400V 3 phase                     |
| Rated Input Voltage   | 380 - 415V 3 phase               |
| Input Frequency       | 50/60Hz                          |
| Power Capacity        | 21.1kVA at 380V, 23.0kVA at 415V |

### OUTPUT

|                                  |   |
|----------------------------------|---|
| Nominal Output Voltage           | 230V  |
| Rated Output Voltage             | 220 - 240V                                  |
| Receptacles (Output Connections) | (18) IEC320 C13, 10A<br>(6) IEC320 C19, 16A |
| Securelock Support               | Yes   |
| Cord Retention                   | Yes   |
| Overload Protection              | (6) LEGBXA6-16                              |

### PHYSICAL

|                             |  |
|-----------------------------|--|
| Color                       | Black powder coat (custom colors available)      |
| Unit Dimensions (WxDxH)     | 2.1" x 2.2" x 70.1" ; 52mm x 55mm x 1780mm       |
| Unit Weight                 | 7.5 kg   |
| Shipping Weight             | 10 kg  |
| Shipping Dimensions (WxDxH) | 11.22" x 4.53" x 75.39" ; 285mm x 115mm x 1915mm |
| Mounting                    | RACK-KIT-PX2-1K-ZU                               |

## Technical Specifications / Engineering Submittals

Raritan Model Number: PX3-1528-M5P1

rev20180528

### ENVIRONMENTAL

---

|                             |           |
|-----------------------------|-----------|
| Operating Temperature       | 60°C      |
| Operating Relative Humidity | 85%       |
| Operating Elevation         | 0-10000ft |

---

### CONFORMANCE

---

|                      |   |
|----------------------|---|
| Regulatory Approvals | CE, Canada ICES-003, Part 15 Class A of the FCC rules, RoHS compliant |
| Warranty             | Standard 2 years manufacturer warranty                                |

---

## Technical Specifications / Engineering Submittals

Raritan Model Number: PX3-1528-M5P1

rev20180528

### CONTROL PANEL

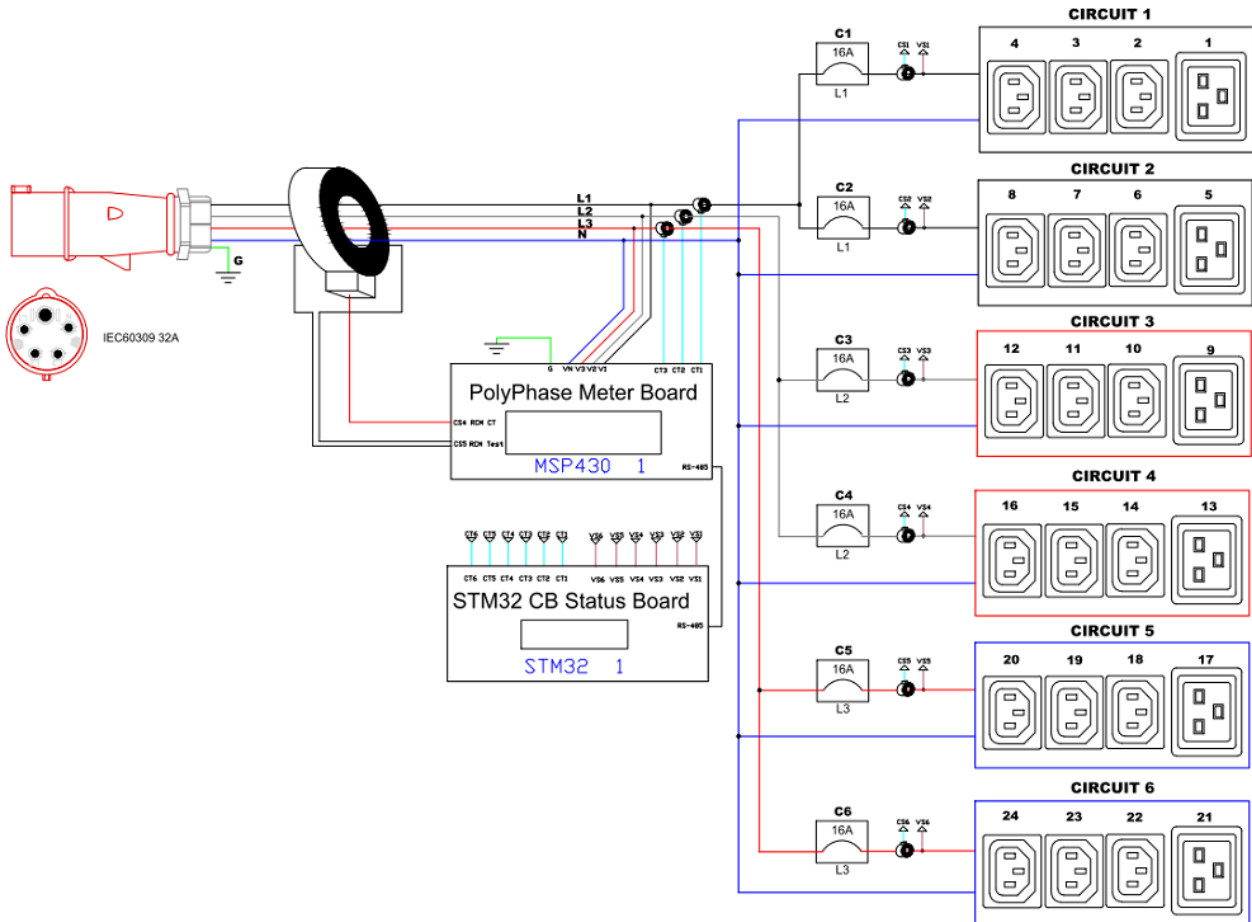


## Technical Specifications / Engineering Submittals

Raritan Model Number: PX3-1528-M5P1

rev20180528

### ELECTRICAL (ONE LINE) DIAGRAM



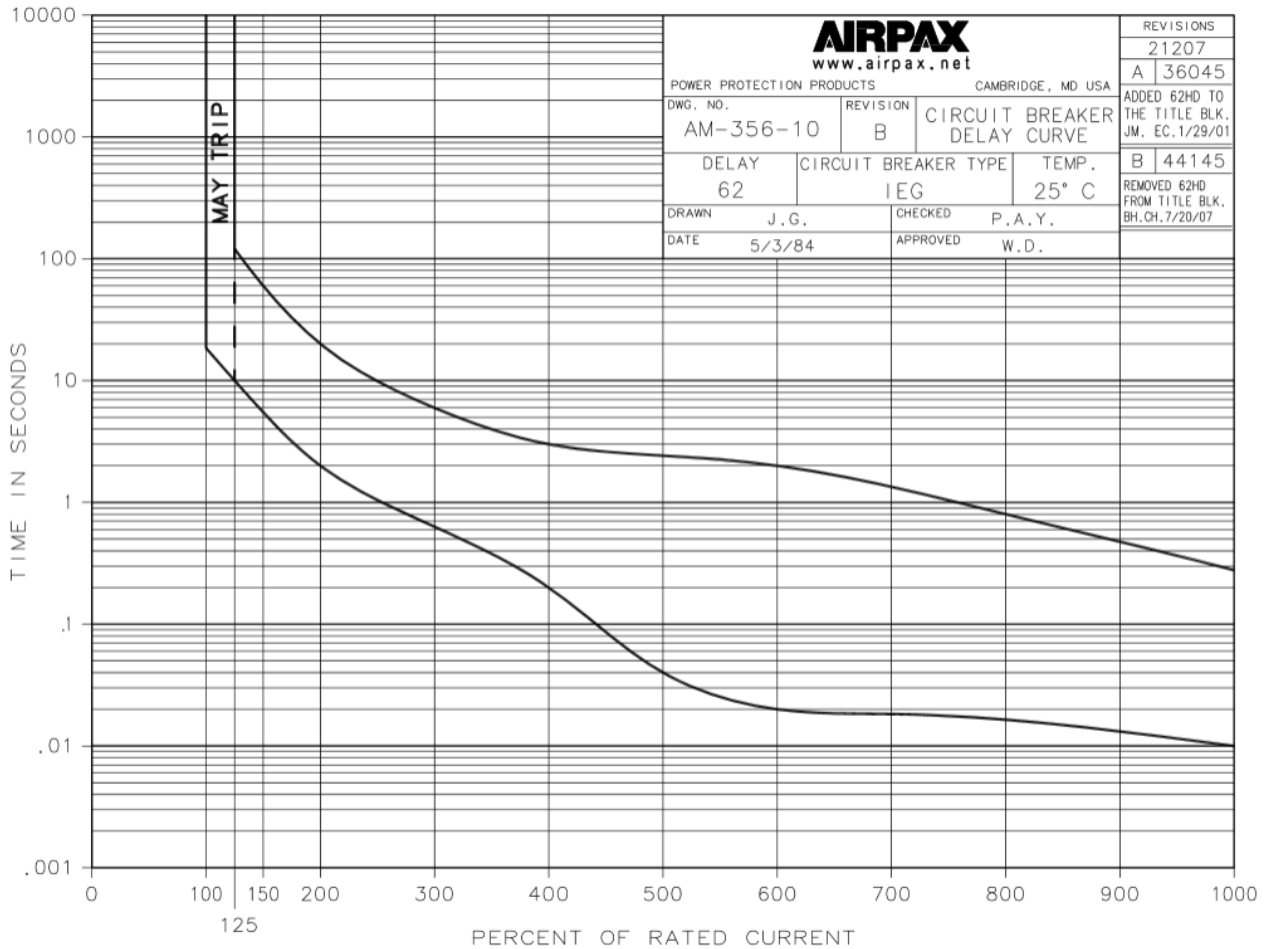


## Technical Specifications / Engineering Submittals

Raritan Model Number: PX3-1528-M5P1

rev20180528

### TRIP CURVE



C-1009-1 5/98 32556

This file generated on: Mon, May 28, 2018 - 03:13:50