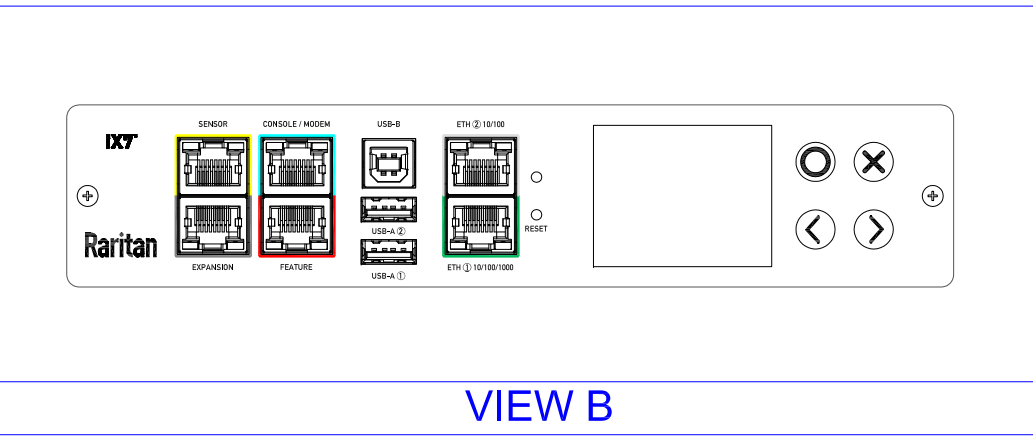
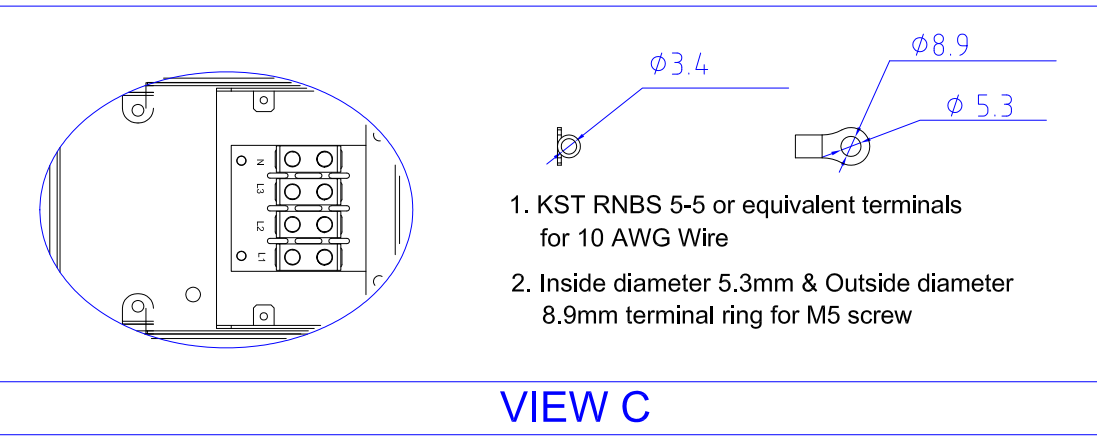


VIEW A

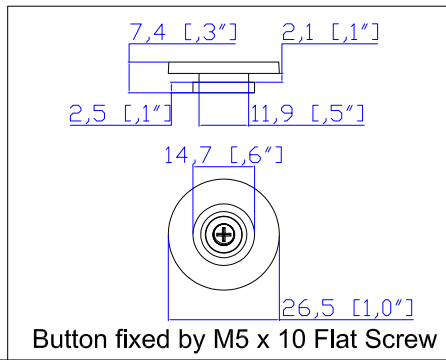
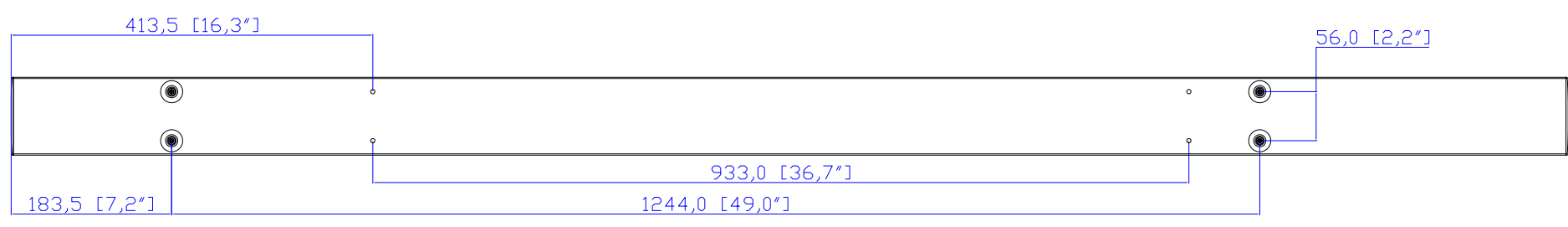
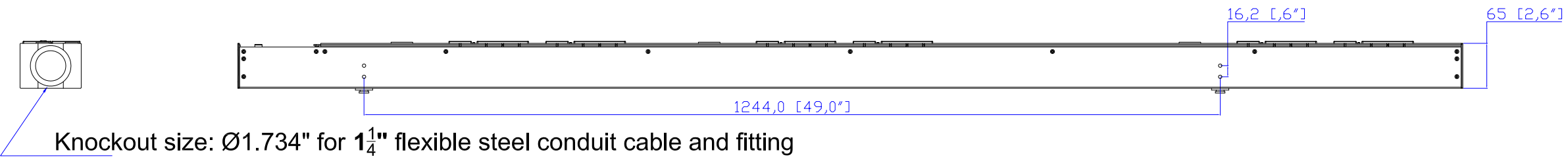
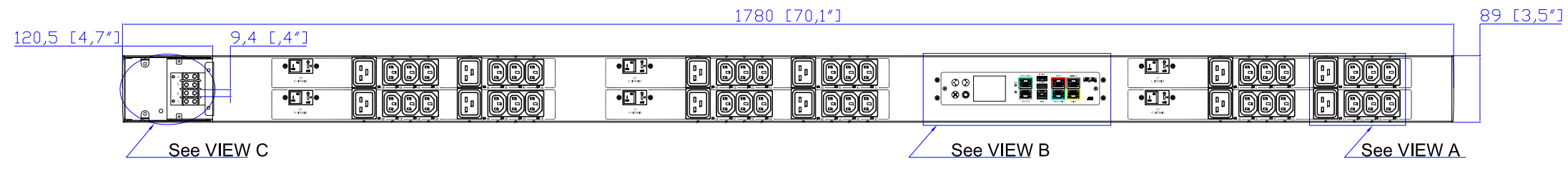


VIEW B



VIEW C

1. KST RNBS 5-5 or equivalent terminals for 10 AWG Wire
2. Inside diameter 5.3mm & Outside diameter 8.9mm terminal ring for M5 screw



- NOTES:
1. INSTALLATION SHALL COMPLY WITH ALL APPLICABLE NATIONAL, STATE AND LOCAL CODES.
 2. PLEASE REFER TO PRODUCT DOCUMENTATION FOR FURTHER INFORMATION.
 3. UNLESS OTHERWISE SPECIFIED, ALL DIMENSIONS ARE IN MILLIMETERS [INCHES].
 4. MOUNTING BUTTON IS AN ALTERNATIVE MOUNTING METHOD TO THE TOOLLESS MOUNT FOR 3RD PARTY ENCLOSURE. BUTTON IS PROVIDED WITH THE UNIT. DETAILED INSTALLATION INSTRUCTIONS CAN BE FOUND IN THE PROVIDED MANUAL.
 5. BRACKET KITS TO MOUNT TO SPECIFIC 3RD PARTY ENCLOSURES ARE AVAILABLE AS OPTIONS.
 6. LENGTH OF THE CORD IS 3000MM +/- 70MM
 7. DIMENSION TOLERANCE: LENGTH +/- 3MM, WIDTH +/- 1MM, DEPTH +/- 0.5MM
 8. REFER TO THE TABLE FOR DETAIL CORD LENGTH DEFINITION

<p>Raritan A brand of legrand</p>	PROJECTION THIRD ANGLE DO NOT SCALE DRAWING SHEET 1 OF 1	TITLE: iPDU Zero U Three Phase, 32A/380-415V Plug Type: 32A Terminal 3PY Outlet Type: C13 (36) C19 (12)		
		Drawing Maker: Eva Lin Design Engineer: Kenny_C Approver: Tom_H	June 12. 2017 June 12. 2017 June 12. 2017	DWG NO: MPX3-4909YV-V2 M5 & MPX3-5909YV-V2 M5