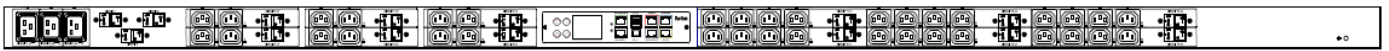


Technical Specifications / Engineering Submittals

Raritan Model Number: PX3-4087YU-V2

rev20180528

LINE DRAWING



FEATURES

Energy Metering	Voltage (V), Current (A), Active Power (kW), Real Power (kVA), Energy (kWh), Power Factor
Metering Accuracy	ISO/IEC 62053-21 1%
Metering per Input Line	Yes
Metering per Branch Circuit Breaker	Yes
Metering per Output Receptacle	Yes
Remote Outlet Switching	No
Environmental Sensor Ready	Yes
Replaceable Controller	Yes
Compatible Sensors	Temperature, Humidity, Air Flow, Differential Pressure, Water Leak, and Contact Closure
Networking	Gigabit (10/100/1000 BaseT) Ethernet port; secondary, redundant (10/100 BaseT) Ethernet port. Optional WiFi (802.11a/b/g/n)
Remote Management	HTTP(s); SSH; Telnet; RS-232 (Serial); Power IQ; SNMP version v2/v3; SMTP; JSON-RPC; Modbus over TCP
Cascading	Yes, Max 16 PDUs can be daisy chained using a single Ethernet or USB connection
Onboard Display	Color, matrix LCD display : Voltage, current, or active power (per line, per breaker, or per receptacle / outlet); Alarms; Configuration information (name, ratings, IP / Networking information); Auto-flip orientation
Embedded Processor	ARM Cortex A5 536MHZ (Atmel A5D35A), 16MB SPI Flash, 64MB DDR2 RAM

Technical Specifications / Engineering Submittals

Raritan Model Number: PX3-4087YU-V2

rev20180528

INPUT

Input Plug	AC Terminal (N/A)
Cord Length	N/A
Cord Entry	Top-end feed
Cable Type	
Number of Power Cords	N/A
Maximum Input Current	80A
Nominal Input Voltage	415V 3 phase
Rated Input Voltage	380 - 415V 3 phase
Input Frequency	50/60Hz
Power Capacity	52.7kVA at 380V, 57.5kVA at 415V

OUTPUT

Nominal Output Voltage	230V
Rated Output Voltage	220 - 240V
Receptacles (Output Connections)	(36) IEC320 C13, 12A (3) IEC320 C19, 16A
Securelock Support	Yes
Cord Retention	Yes
Overload Protection	(15) LEJBX6-20

PHYSICAL

Color	Black powder coat (custom colors available)
Unit Dimensions (WxDxH)	2.3" x 3.9" x 78.0" ; 59mm x 100mm x 1981mm
Unit Weight	11.4 kg
Shipping Weight	14.7 kg
Shipping Dimensions (WxDxH)	8.46" x 8.07" x 86.5" ; 215mm x 205mm x 2197mm
Mounting	Tool-less button mount

Technical Specifications / Engineering Submittals

Raritan Model Number: PX3-4087YU-V2

rev20180528

ENVIRONMENTAL

Operating Temperature	60°C
Operating Relative Humidity	85%
Operating Elevation	0-10000ft

CONFORMANCE

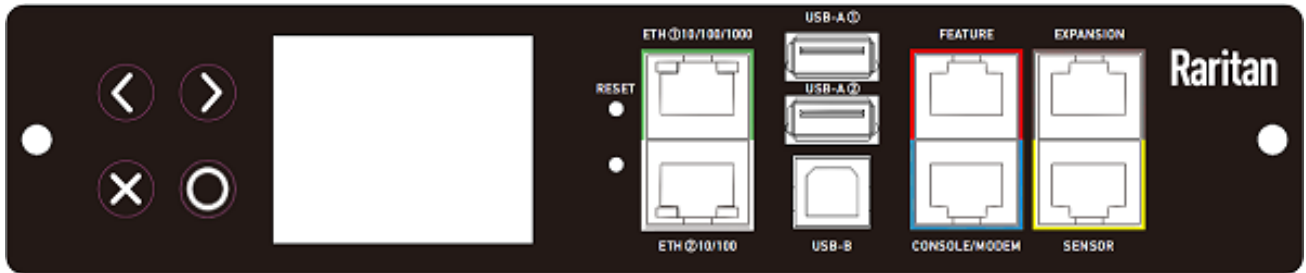
Regulatory Approvals	UL Listed, Canada ICES-003, Part 15 Class A of the FCC rules, RoHS compliant
Warranty	Standard 2 years manufacturer warranty

Technical Specifications / Engineering Submittals

Raritan Model Number: PX3-4087YU-V2

rev20180528

CONTROL PANEL

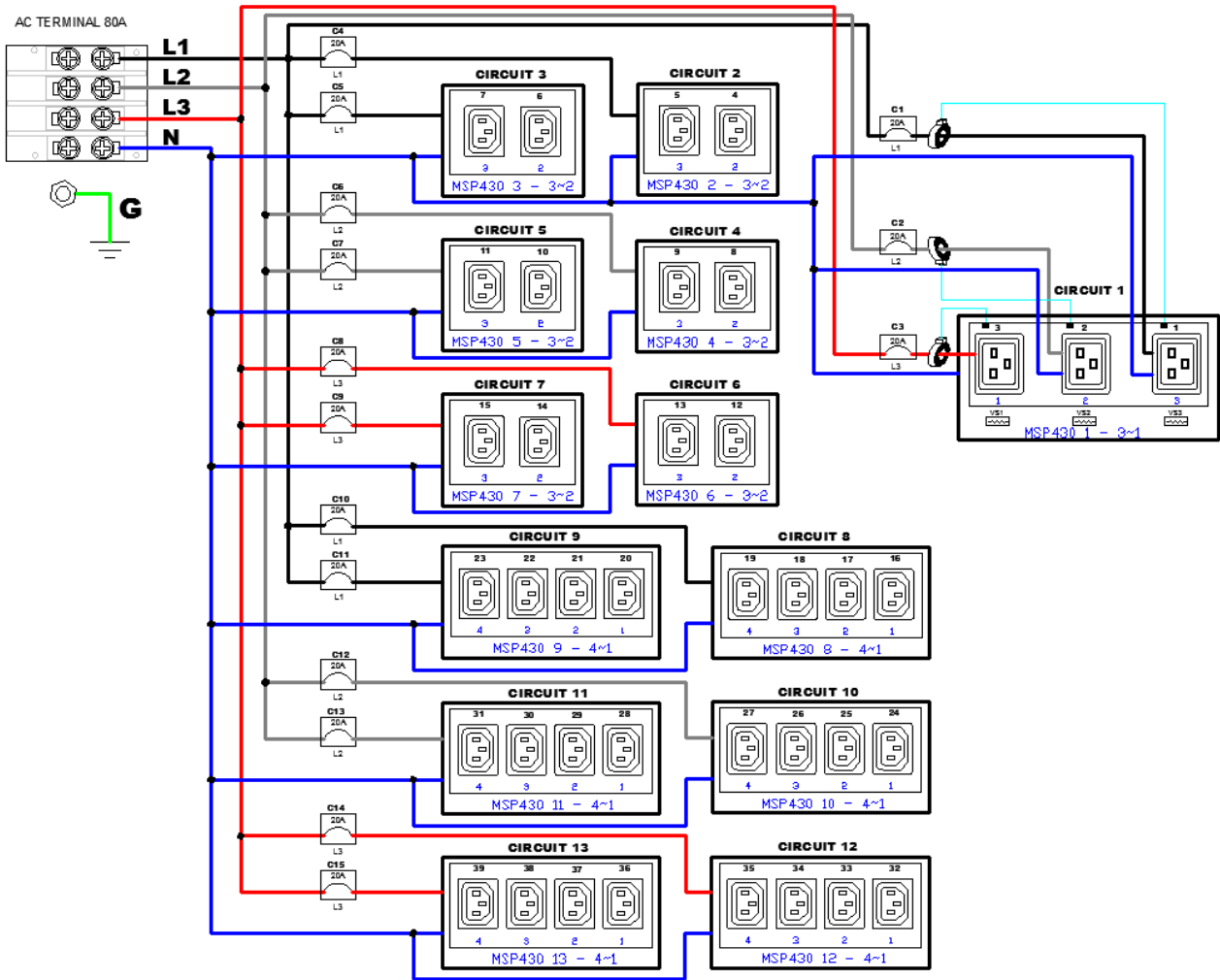


Technical Specifications / Engineering Submittals

Raritan Model Number: PX3-4087YU-V2

rev20180528

ELECTRICAL (ONE LINE) DIAGRAM

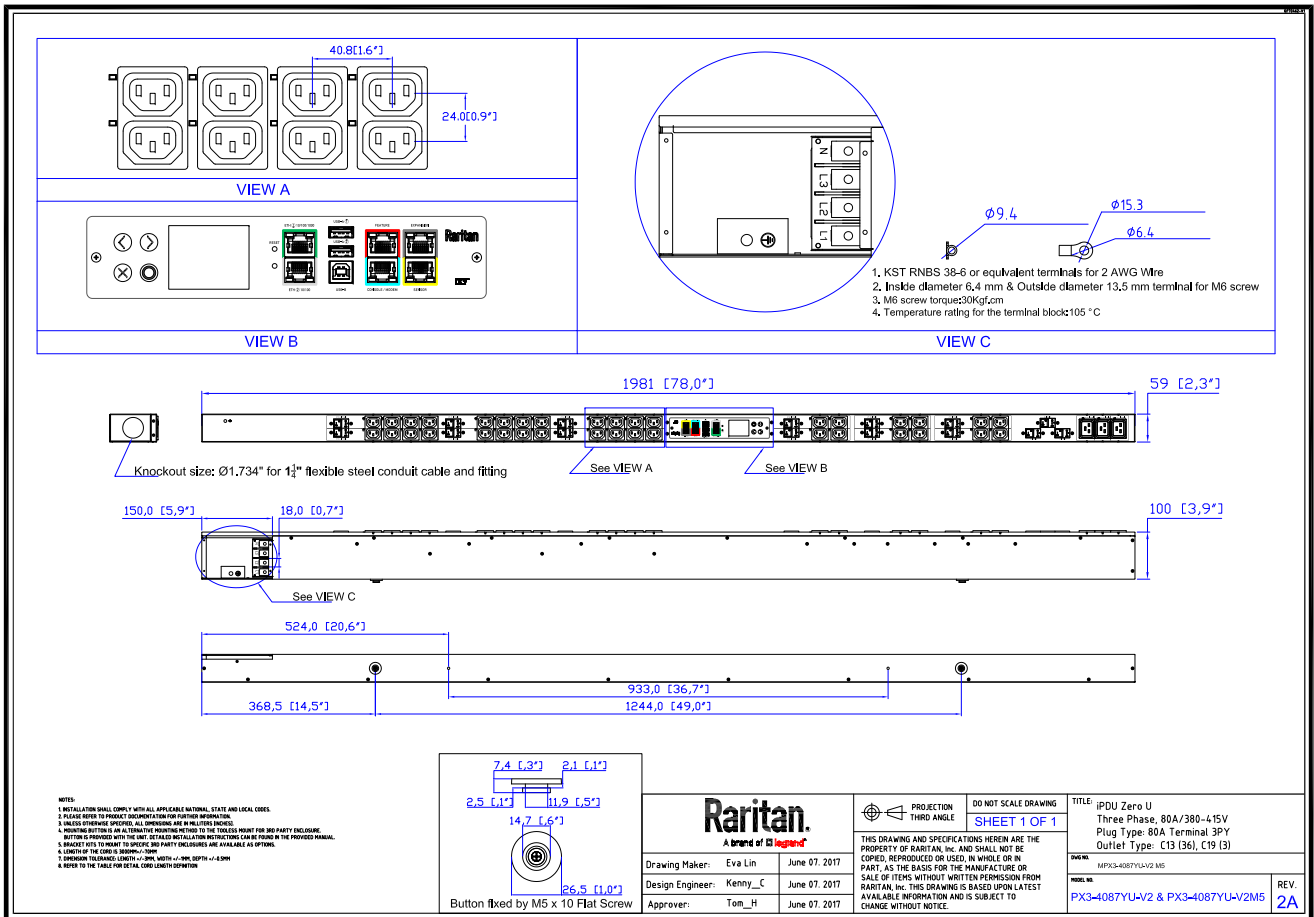


Technical Specifications / Engineering Submittals

Raritan Model Number: PX3-4087YU-V2

rev20180528

MECHANICAL DIAGRAM

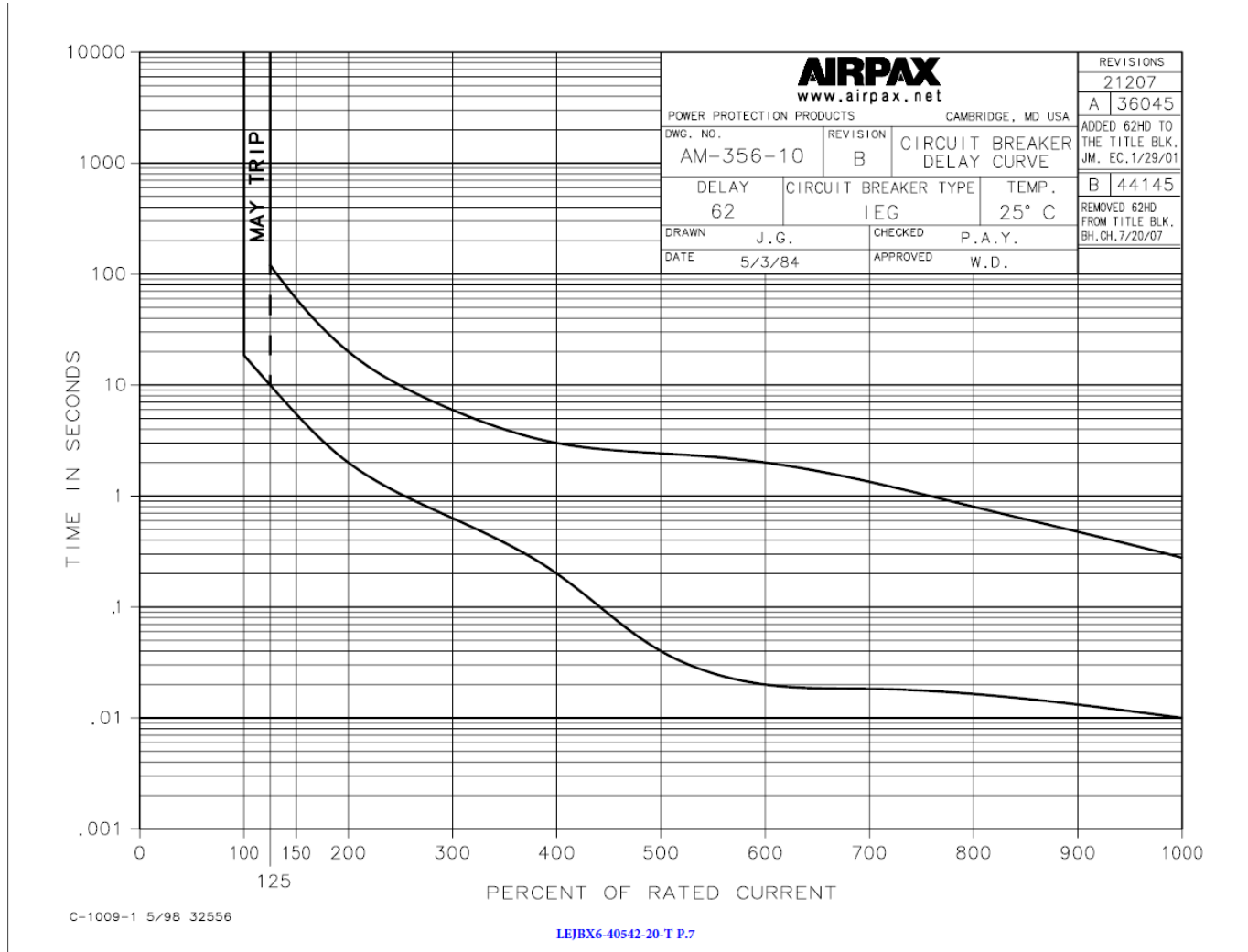


Technical Specifications / Engineering Submittals

Raritan Model Number: PX3-4087YU-V2

rev20180528

TRIP CURVE



This file generated on: Mon, May 28, 2018 - 03:22:40