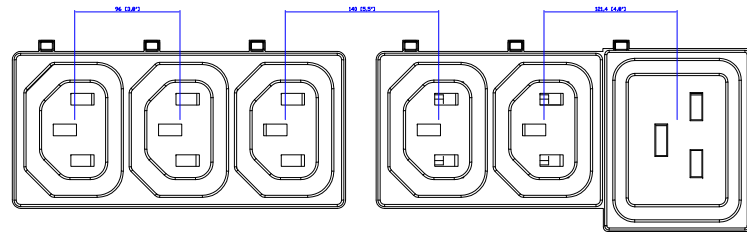
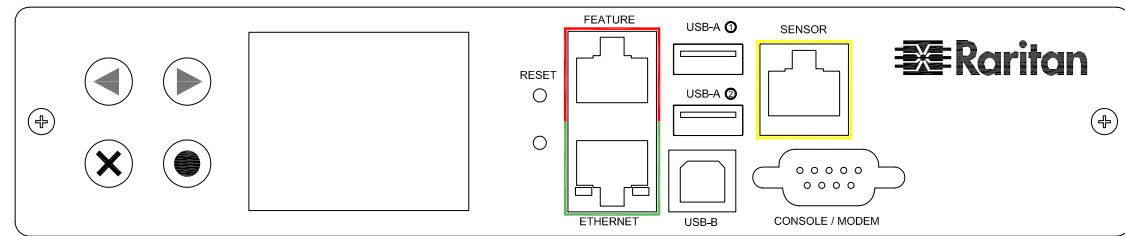


IEC60309 60/63A 3PY

VIEW A

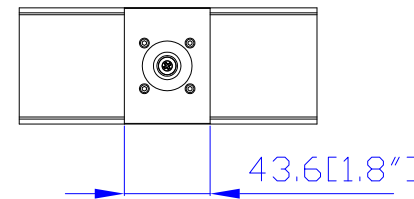
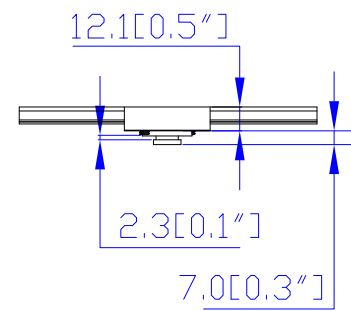


VIEW B

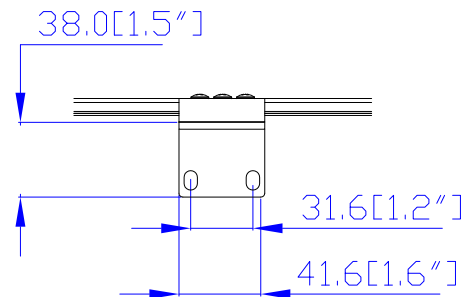
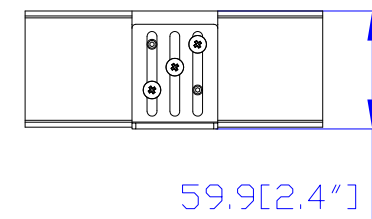


VIEW C

Option 1.

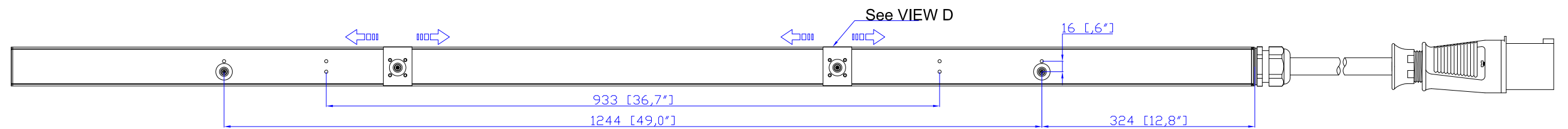
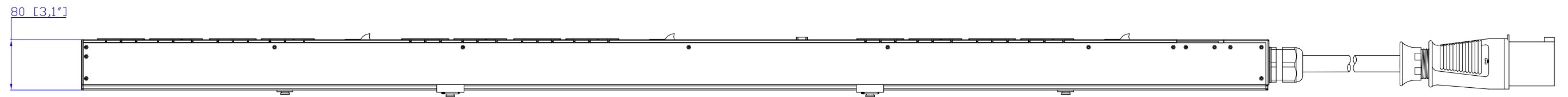
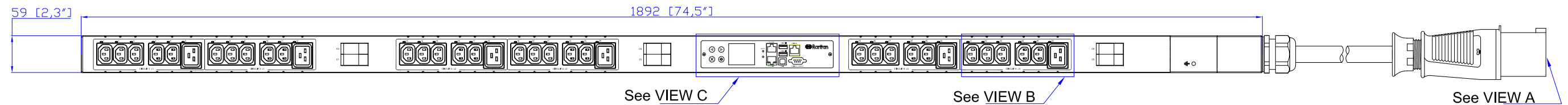
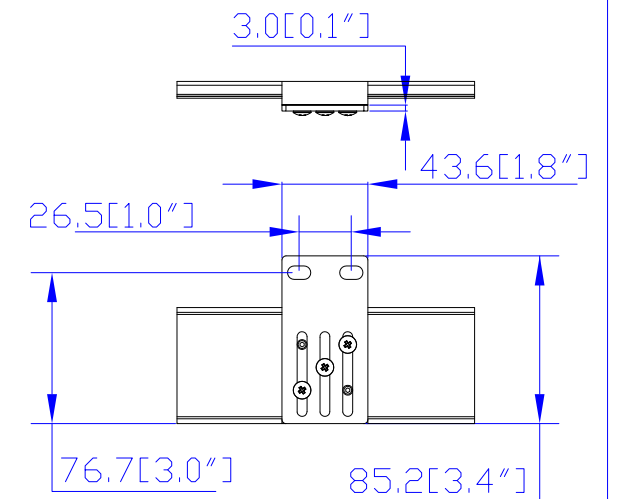


Option 2.



VIEW D

Option 3.



NOTES:
1.ALL DIMENSIONS ARE MILLIMETERS[INCHES].



Drawing Maker:	EVA LIN	Nov. 20,2015
Design Engineer:	Sam_L	Nov. 20,2015
Approver:	Tom_H	Nov. 20,2015

PROJECTION THIRD ANGLE
DO NOT SCALE DRAWING
SHEET 1 OF 1

THIS DRAWING AND SPECIFICATIONS HEREIN ARE THE PROPERTY OF RARITAN, INC. AND SHALL NOT BE COPIED, REPRODUCED OR USED, IN WHOLE OR IN PART, AS THE BASIS FOR THE MANUFACTURE OR SALE OF ITEMS WITHOUT WRITTEN PERMISSION FROM RARITAN, INC. THIS DRAWING IS BASED UPON LATEST AVAILABLE INFORMATION AND IS SUBJECT TO CHANGE WITHOUT NOTICE.

TITLE:
iPDU Zero U
Three phase 40A / 380V-415V
Plug Type: IEC60309 60/63A 3PY
Outlet Type:(30) IEC320 C13,(6) IEC320 C19

DWG NO. **MPX3-5830I2U-F1 & MPX3-4830I2U-F1** REV. **0A**