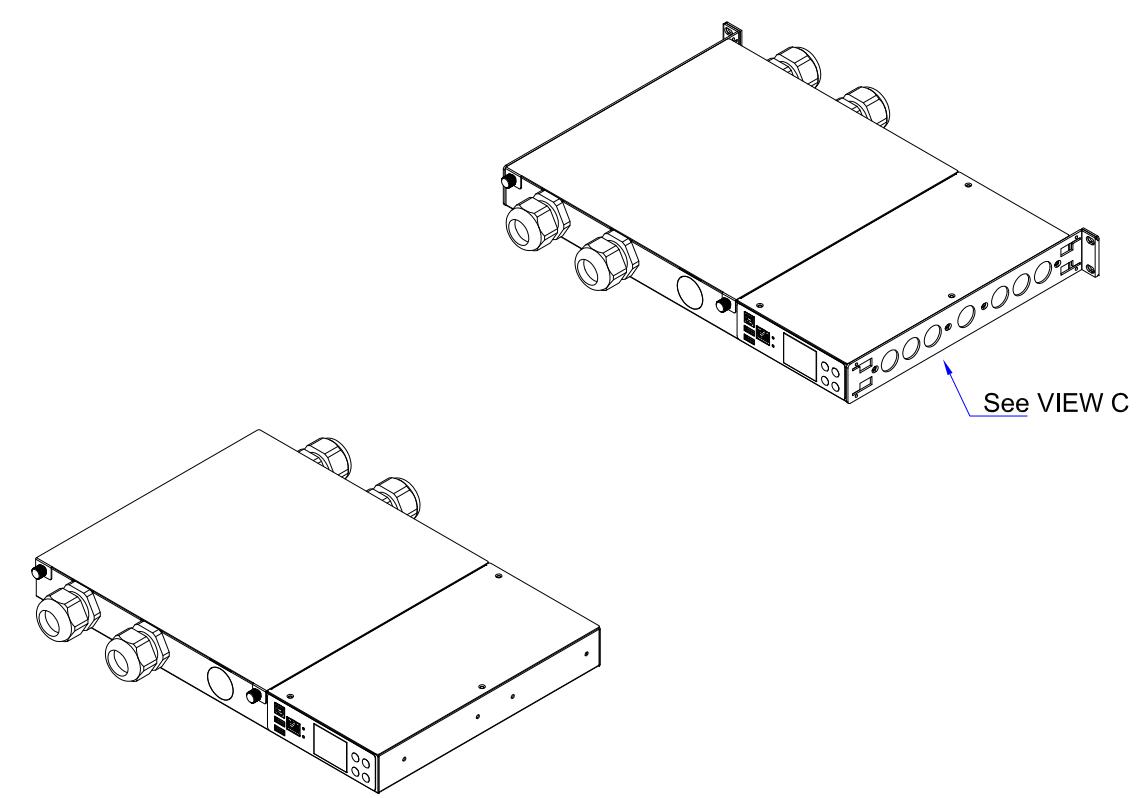
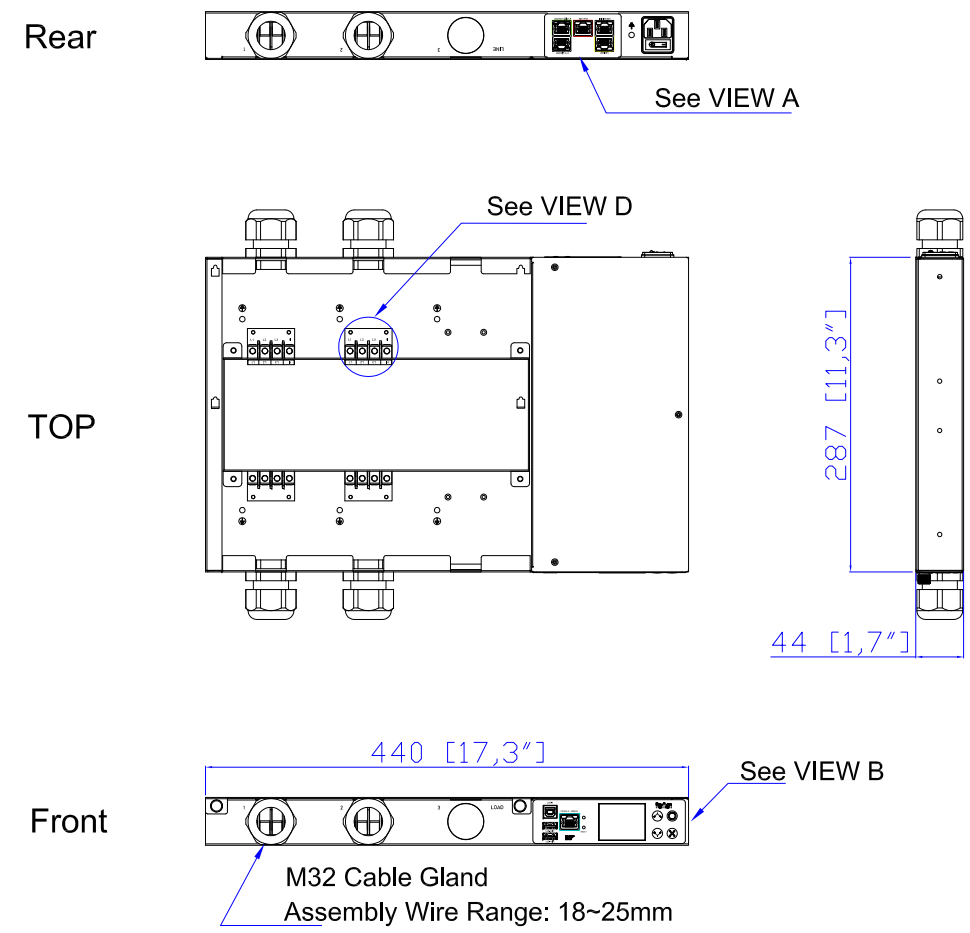


1. KST RNBS 5-5 or equivalent terminals for 10-12 AWG Wire
2. Inside diameter 5.3 mm & Outside diameter 8.3mm ring for M5 screw



NOTES:

1. INSTALLATION SHALL COMPLY WITH ALL APPLICABLE NATIONAL, STATE AND LOCAL CODES.
2. PLEASE REFER TO PRODUCT DOCUMENTATION FOR FURTHER INFORMATION.
3. UNLESS OTHERWISE SPECIFIED, ALL DIMENSIONS ARE IN MILLIMETERS (INCHES).
4. MOUNTING BUTTON IS AN ALTERNATIVE MOUNTING METHOD TO THE TOOLLESS MOUNT FOR 3RD PARTY ENCLOSURE. BUTTON IS PROVIDED WITH THE UNIT. DETAILED INSTALLATION INSTRUCTIONS CAN BE FOUND IN THE PROVIDED MANUAL.
5. BRACKET KITS TO MOUNT TO SPECIFIC 3RD PARTY ENCLOSURES ARE AVAILABLE AS OPTIONS.
6. LENGTH OF THE CORD IS 3000MM +/- 70MM
7. DIMENSION TOLERANCE: LENGTH +/- 3MM, WIDTH +/- 1MM, DEPTH +/- 0.5MM
8. REFER TO THE TABLE FOR DETAIL CORD LENGTH DEFINITION

 A brand of	PROJECTION THIRD ANGLE	DO NOT SCALE DRAWING	TITLE: iPDU One U
		SHEET 1 OF 1	Three phase, 32A/190-415V Input Plug: 32A Terminal 3PY (2) Output Plug: 32A Terminal 3PY (2)
Drawing Maker: Eva_Lin	Dec. 26, 2017	DWG NO: MPX3-3270 M5	MODEL NO:
Design Engineer: Siang_H	Dec. 26, 2017	PX3-3270 & PX3-3270-M5	
Approver: Tom_H	Dec. 26, 2017	THIS DRAWING AND SPECIFICATIONS HEREIN ARE THE PROPERTY OF RARITAN, Inc. AND SHALL NOT BE COPIED, REPRODUCED OR USED, IN WHOLE OR IN PART, AS THE BASIS FOR THE MANUFACTURE OR SALE OF ITEMS WITHOUT WRITTEN PERMISSION FROM RARITAN, Inc. THIS DRAWING IS BASED UPON LATEST AVAILABLE INFORMATION AND IS SUBJECT TO CHANGE WITHOUT NOTICE.	
			REV. 2B