

56P532

VIEW A

VIEW B

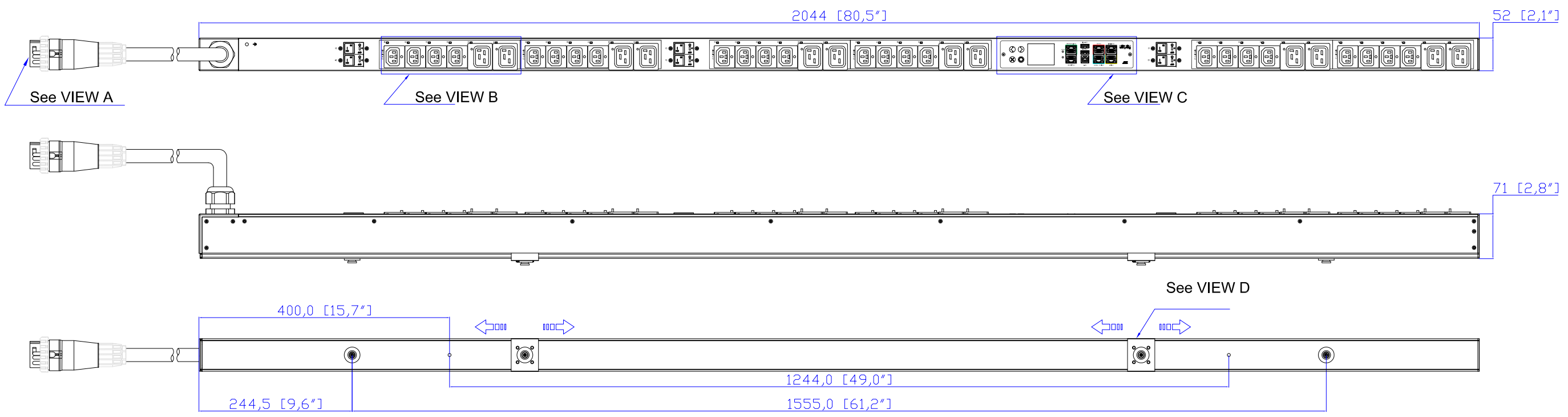
Option 1.

Option 2.

Option 3.

VIEW C

VIEW D



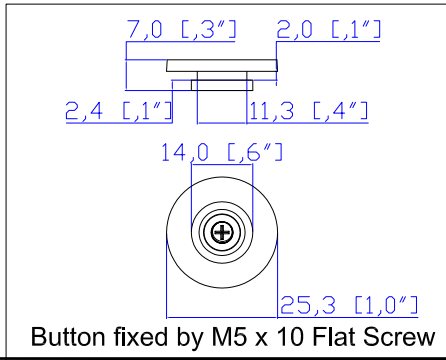
See VIEW A

See VIEW B



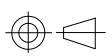
See VIEW C

See VIEW D

- NOTES:
1. INSTALLATION SHALL COMPLY WITH ALL APPLICABLE NATIONAL, STATE AND LOCAL CODES.
 2. PLEASE REFER TO PRODUCT DOCUMENTATION FOR FURTHER INFORMATION.
 3. UNLESS OTHERWISE SPECIFIED, ALL DIMENSIONS ARE IN MILLIMETERS [INCHES].
 4. MOUNTING BUTTON IS AN ALTERNATIVE MOUNTING METHOD TO THE TOOLLESS MOUNT FOR 3RD PARTY ENCLOSURE. BUTTON IS PROVIDED WITH THE UNIT. DETAILED INSTALLATION INSTRUCTIONS CAN BE FOUND IN THE PROVIDED MANUAL.
 5. BRACKET KITS TO MOUNT TO SPECIFIC 3RD PARTY ENCLOSURES ARE AVAILABLE AS OPTIONS.
 6. LENGTH OF THE CORD IS 3000MM +/- 70MM
 7. DIMENSION TOLERANCE: LENGTH +/- 3MM, WIDTH +/- 1MM, DEPTH +/- 0.5MM
 8. REFER TO THE TABLE FOR DETAIL CORD LENGTH DEFINITION



Button fixed by M5 x 10 Flat Screw

 A brand of 		 PROJECTION THIRD ANGLE	DO NOT SCALE DRAWING	TITLE: iPDU Zero U Three Phase, 32A/415V Plug Type: 56P532 Outlet Type: Locking C13 (24), Locking C19 (12)
			SHEET 1 OF 1	
Drawing Maker: Eva Lin	May 31, 2017	THIS DRAWING AND SPECIFICATIONS HEREIN ARE THE PROPERTY OF RARITAN, Inc. AND SHALL NOT BE COPIED, REPRODUCED OR USED, IN WHOLE OR IN PART, AS THE BASIS FOR THE MANUFACTURE OR SALE OF ITEMS WITHOUT WRITTEN PERMISSION FROM RARITAN, Inc. THIS DRAWING IS BASED UPON LATEST AVAILABLE INFORMATION AND IS SUBJECT TO CHANGE WITHOUT NOTICE.		DWG NO: MPX3-5730A3-E2V2 M5 & MPX3-4730A3-E2V2 M5
Design Engineer: Siang_H	May 31, 2017			MODEL NO: PX3-5730A3-E2V2 & PX3-4730A3-E2V2
Approver: Tom_H	May 31, 2017			PX3-5730A3-E2V2M5 & PX3-4730A3-E2V2M5
				REV. 2A