

## Technical Specifications / Engineering Submittals

Raritan Model Number: PX3-5028A1-E2V2

rev20180528

### LINE DRAWING



### FEATURES

|                                     |  |
|-------------------------------------|--|
| Energy Metering                     | Voltage (V), Current (A), Active Power (kW), Real Power (kVA), Energy (kWh), Power Factor  |
| Metering Accuracy                   | ISO/IEC 62053-21 1%  |
| Metering per Input Line             | Yes  |
| Metering per Branch Circuit Breaker | Yes  |
| Metering per Output Receptacle      | Yes  |
| Remote Outlet Switching             | Yes  |
| Environmental Sensor Ready          | Yes  |
| Replaceable Controller              | Yes  |
| Compatible Sensors                  | Temperature, Humidity, Air Flow, Differential Pressure, Water Leak, and Contact Closure  |
| Networking                          | Gigabit (10/100/1000 BaseT) Ethernet port; secondary, redundant (10/100 BaseT) Ethernet port. Optional WiFi (802.11a/b/g/n)  |
| Remote Management                   | HTTP(s); SSH; Telnet; RS-232 (Serial); Power IQ; SNMP version v2/v3; SMTP; JSON-RPC; Modbus over TCP   |
| Cascading                           | Yes, Max 16 PDUs can be daisy chained using a single Ethernet or USB connection  |
| Onboard Display                     | Color, matrix LCD display : Voltage, current, or active power (per line, per breaker, or per receptacle / outlet); Alarms; Configuration information (name, ratings, IP / Networking information); Auto-flip orientation |
| Embedded Processor                  | ARM Cortex A5 536MHZ (Atmel A5D35A), 16MB SPI Flash, 64MB DDR2 RAM   |

## Technical Specifications / Engineering Submittals

Raritan Model Number: PX3-5028A1-E2V2

rev20180528

### INPUT

|                       |                                  |
|-----------------------|----------------------------------|
| Input Plug            | Clipsal 56P532 (4P5W)            |
| Cord Length           | 3 meters (9.84 feet) standard    |
| Cord Entry            | Bottom-front feed                |
| Cable Type            | IP66                             |
| Number of Power Cords | 1                                |
| Maximum Input Current | 32A                              |
| Nominal Input Voltage | 415V 3 phase                     |
| Rated Input Voltage   | 415 - 415V 3 phase               |
| Input Frequency       | 50/60Hz                          |
| Power Capacity        | 23.0kVA at 415V, 23.0kVA at 415V |

### OUTPUT

|                                  |   |
|----------------------------------|---|
| Nominal Output Voltage           | 240V  |
| Rated Output Voltage             | 240 - 240V  |
| Receptacles (Output Connections) | (15) IEC60320 C13 Locking, 10A<br>(9) IEC60320 C19 Locking, 16A |
| Securelock Support               | Yes   |
| Cord Retention                   | No  |
| Overload Protection              | (9) Airpax LEGBX6-37483-16-V                                    |

### PHYSICAL

|                             |   |
|-----------------------------|---|
| Color                       | Black powder coat (custom colors available)     |
| Unit Dimensions (WxDxH)     | 2.1" x 2.8" x 75.2" ; 52mm x 71mm x 1911mm      |
| Unit Weight                 | 8.4 kg  |
| Shipping Weight             | 11.1 kg   |
| Shipping Dimensions (WxDxH) | 10.24" x 4.53" x 81.1" ; 260mm x 115mm x 2060mm |
| Mounting                    | G2-RACK-FOR-ZU                                  |

## Technical Specifications / Engineering Submittals

Raritan Model Number: PX3-5028A1-E2V2

rev20180528

### ENVIRONMENTAL

---

Operating Temperature 60°C

---

Operating Relative Humidity 85%

---

Operating Elevation 0-10000ft

---

### CONFORMANCE

---

Regulatory Approvals CE, Canada ICES-003, Part 15 Class A of the FCC rules,  
RoHS compliant

---

Warranty Standard 2 years manufacturer warranty

---

## Technical Specifications / Engineering Submittals

Raritan Model Number: PX3-5028A1-E2V2

rev20180528

### CONTROL PANEL

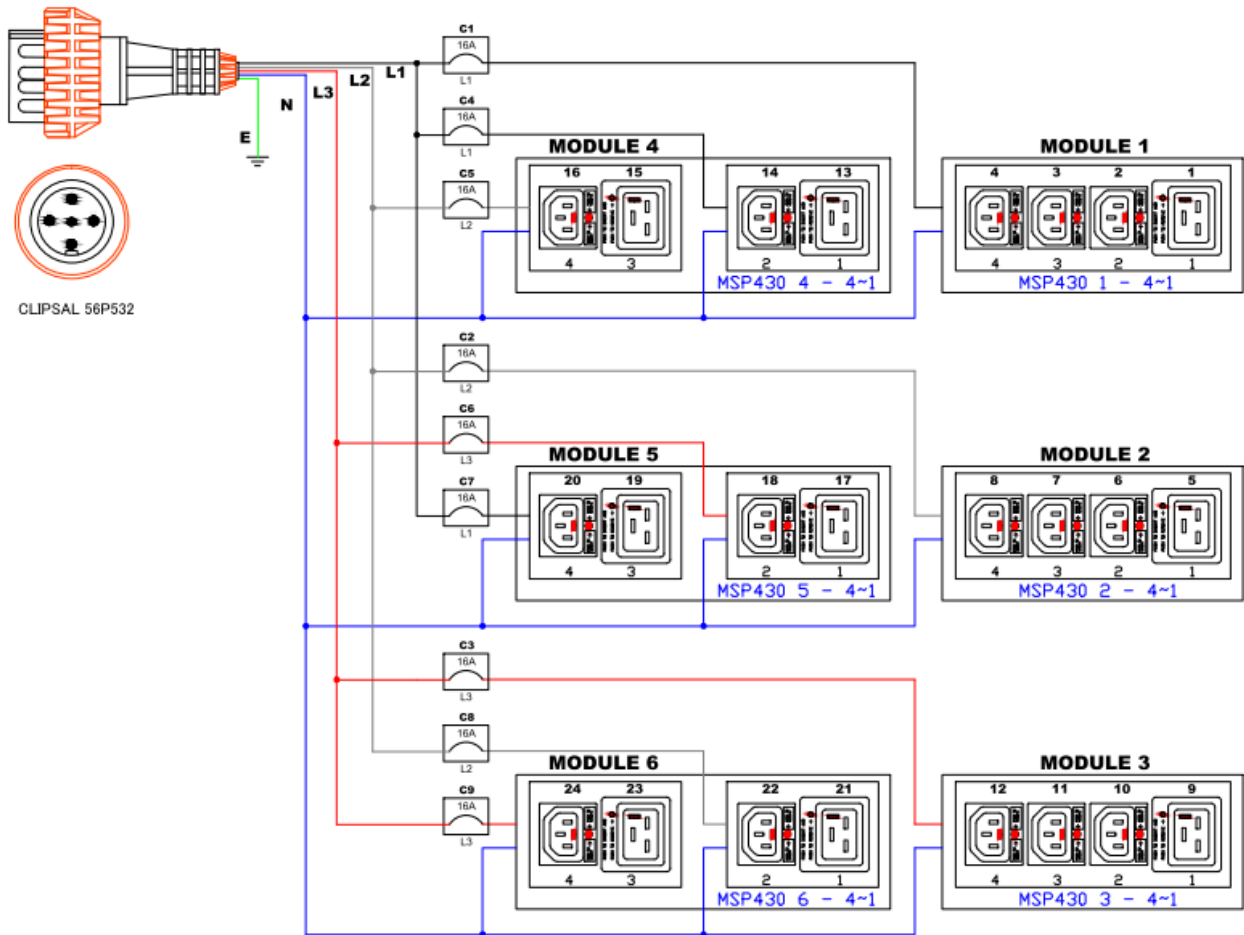


## Technical Specifications / Engineering Submittals

Raritan Model Number: PX3-5028A1-E2V2

rev20180528

### ELECTRICAL (ONE LINE) DIAGRAM





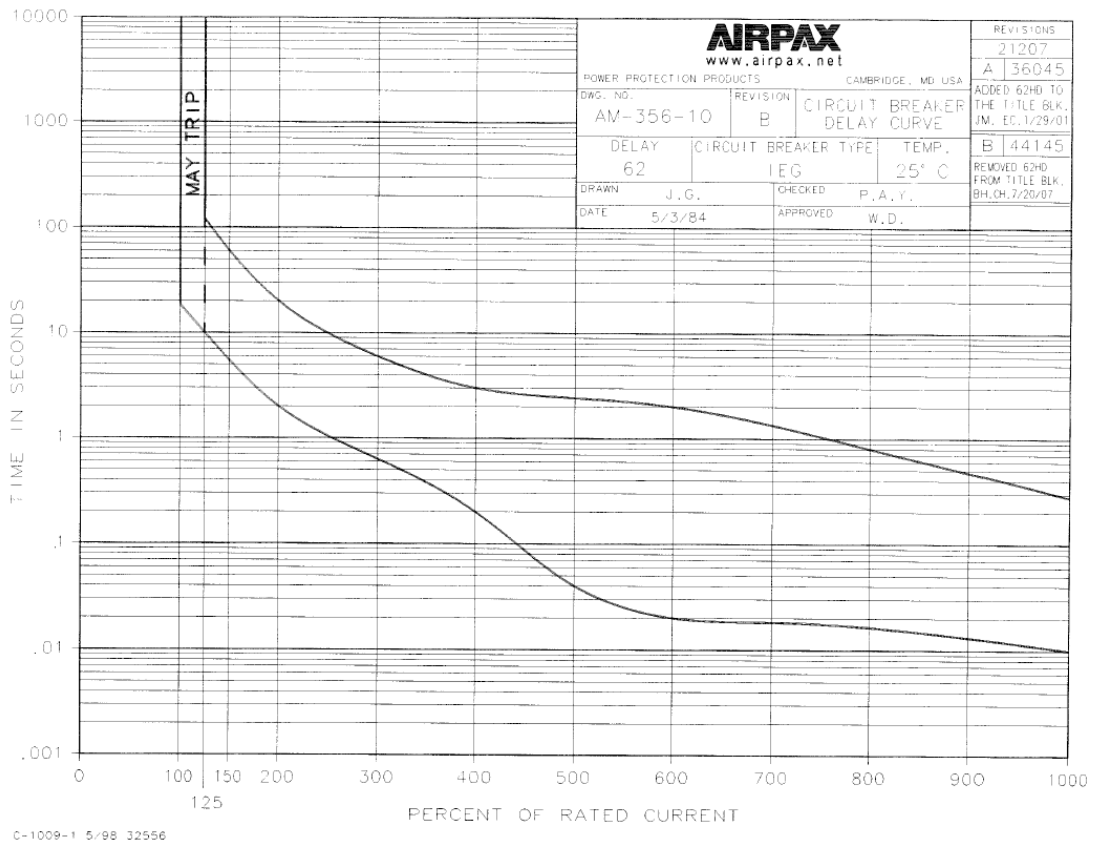


**Technical Specifications / Engineering Submittals**

Raritan Model Number: PX3-5028A1-E2V2

rev20180528

**TRIP CURVE**



7

This file generated on: Mon, May 28, 2018 - 03:37:00