

## Technical Specifications / Engineering Submittals

Raritan Model Number: PX2-2530A2

rev20170831

### LINE DRAWING



### FEATURES

Energy Metering	Voltage (V), Current (A), Active Power (kW), Real Power (kVA), Energy (kWh), Power Factor
Metering Accuracy	ISO/IEC 62053-21 1%
Metering per Input Line	Yes
Metering per Branch Circuit Breaker	Yes
Metering per Output Receptacle	No
Remote Outlet Switching	Yes
Environmental Sensor Ready	Yes
Replaceable Controller	No
Compatible Sensors	Temperature, Humidity, Air Flow, Differential Pressure, Water Leak, and Contact Closure
Networking	(10/100 BaseT) Ethernet port. Optional WiFi (802.11a/b/g/n)
Remote Management	HTTP(s); SSH; Telnet; RS-232 (Serial); Power IQ; SNMP version v2/v3; SMTP; JSON-RPC
Cascading	Yes, Max 8 PDUs can be daisy chained using USB connection
Onboard Display	3-digit LED user-selectable display : Voltage, current, or active power (per line or per breaker); Auto-flip orientation
Embedded Processor	ARM9 400MHZ (Atmel SAM9G20), 16MB NOR Flash, 64MB SDRAM

## Technical Specifications / Engineering Submittals

Raritan Model Number: PX2-2530A2

rev20170831

### INPUT

Input Plug	Clipsal 56PA532 (4P5W)
Cord Length	3 meters (9.84 feet) standard
Cord Entry	Bottom-front feed
Cable Type	IP66
Number of Power Cords	1
Maximum Input Current	32A
Nominal Input Voltage	415V 3 phase
Rated Input Voltage	415 - 415V 3 phase
Input Frequency	50/60Hz
Power Capacity	23.0kVA at 415V, 23.0kVA at 415V

### OUTPUT

Nominal Output Voltage	240V
Rated Output Voltage	240 - 240V
Receptacles (Output Connections)	(21) IEC320 C13, 10A (3) IEC320 C19, 16A
Securelock Support	Yes
Cord Retention	Yes
Overload Protection	(6) Airpax LEGBX6-37483-16-V

### PHYSICAL

Color	Black powder coat (custom colors available)
Unit Dimensions (WxDxH)	2.1" x 2.6" x 70.1" ; 52mm x 65mm x 1780mm
Unit Weight	7 kg
Shipping Weight	9 kg
Shipping Dimensions (WxDxH)	11.22" x 4.53" x 75.39" ; 285mm x 115mm x 1915mm
Mounting	G2-RACK-FOR-ZU

## Technical Specifications / Engineering Submittals

Raritan Model Number: PX2-2530A2

rev20170831

### ENVIRONMENTAL

---

Operating Temperature 50°C

---

Operating Relative Humidity 85%

---

Operating Elevation 0-10000ft

---

### CONFORMANCE

---

Regulatory Approvals CE, Canada ICES-003, Part 15 Class A of the FCC rules,  
RoHS compliant

---

Warranty Standard 2 years manufacturer warranty

---

## Technical Specifications / Engineering Submittals

Raritan Model Number: PX2-2530A2

rev20170831

### CONTROL PANEL

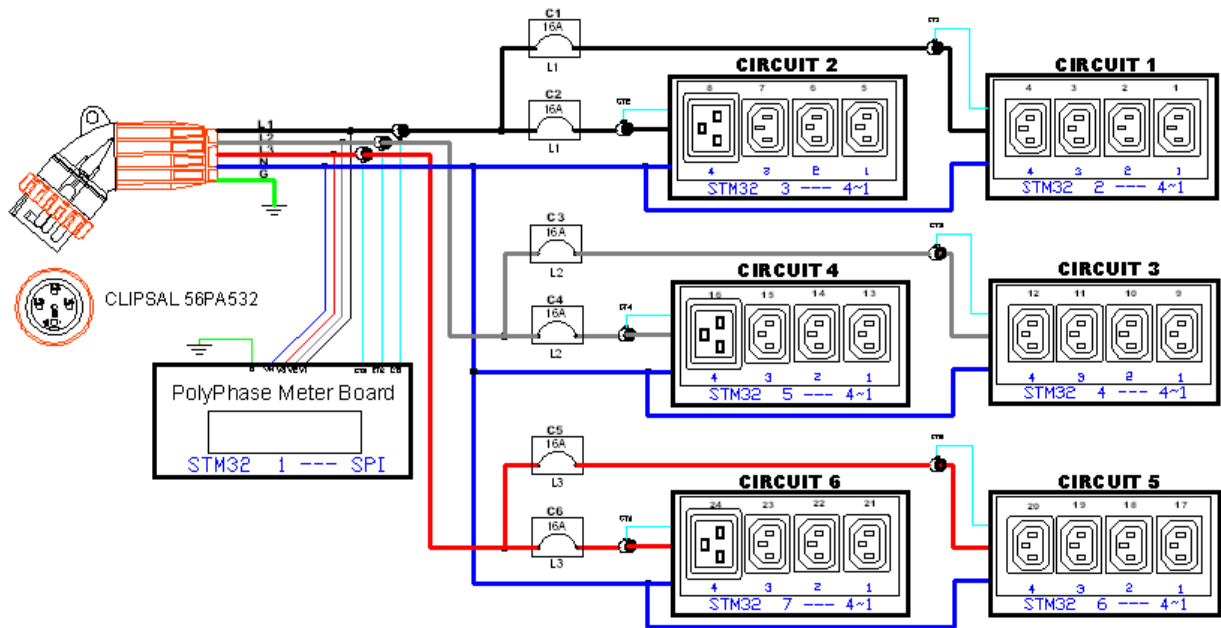
Dimension: 188mm x 43mm



**Technical Specifications / Engineering Submittals**  
Raritan Model Number: PX2-2530A2

rev20170831

**ELECTRICAL (ONE LINE) DIAGRAM**

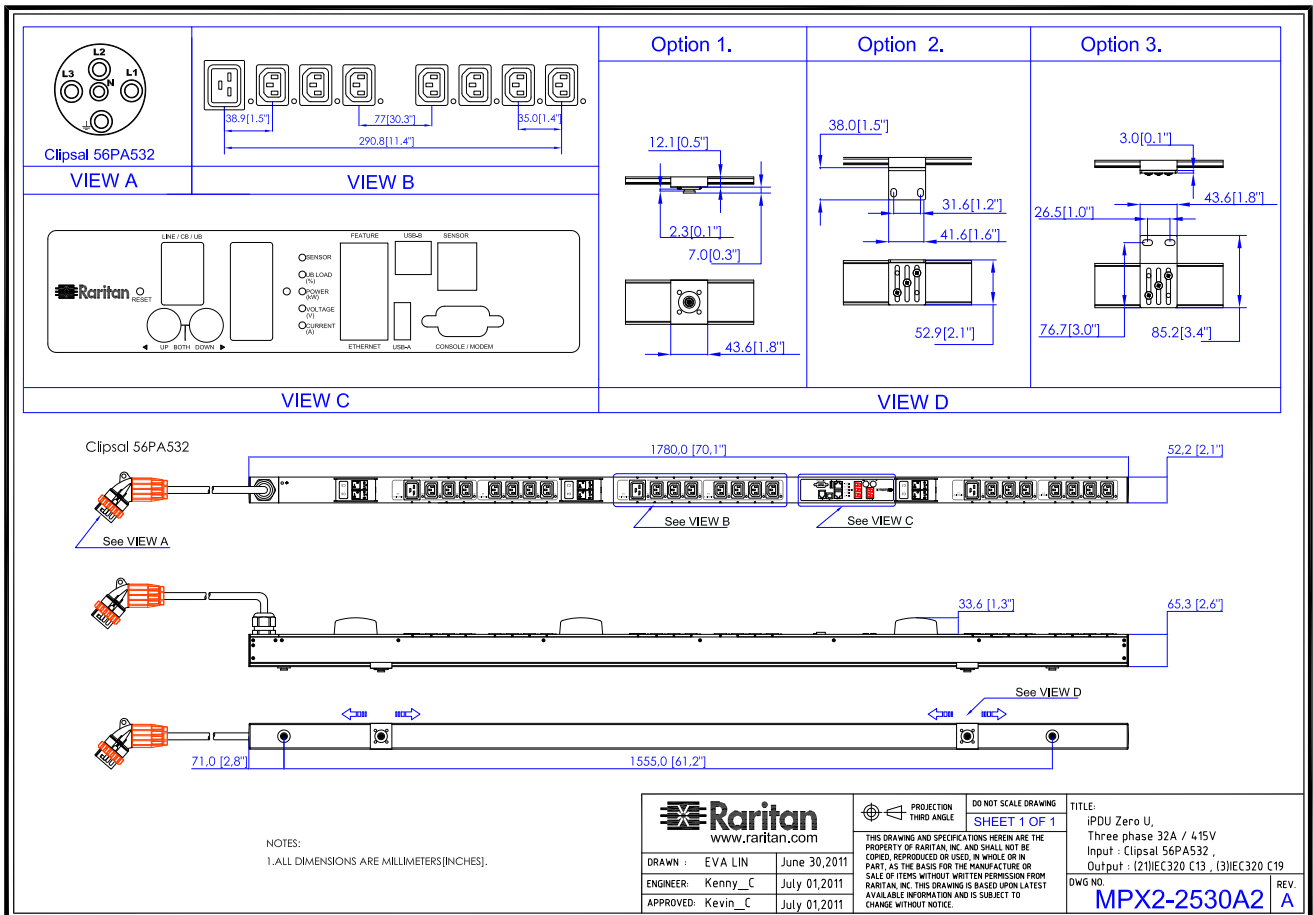


## Technical Specifications / Engineering Submittals

Raritan Model Number: PX2-2530A2

rev20170831

### MECHANICAL DIAGRAM

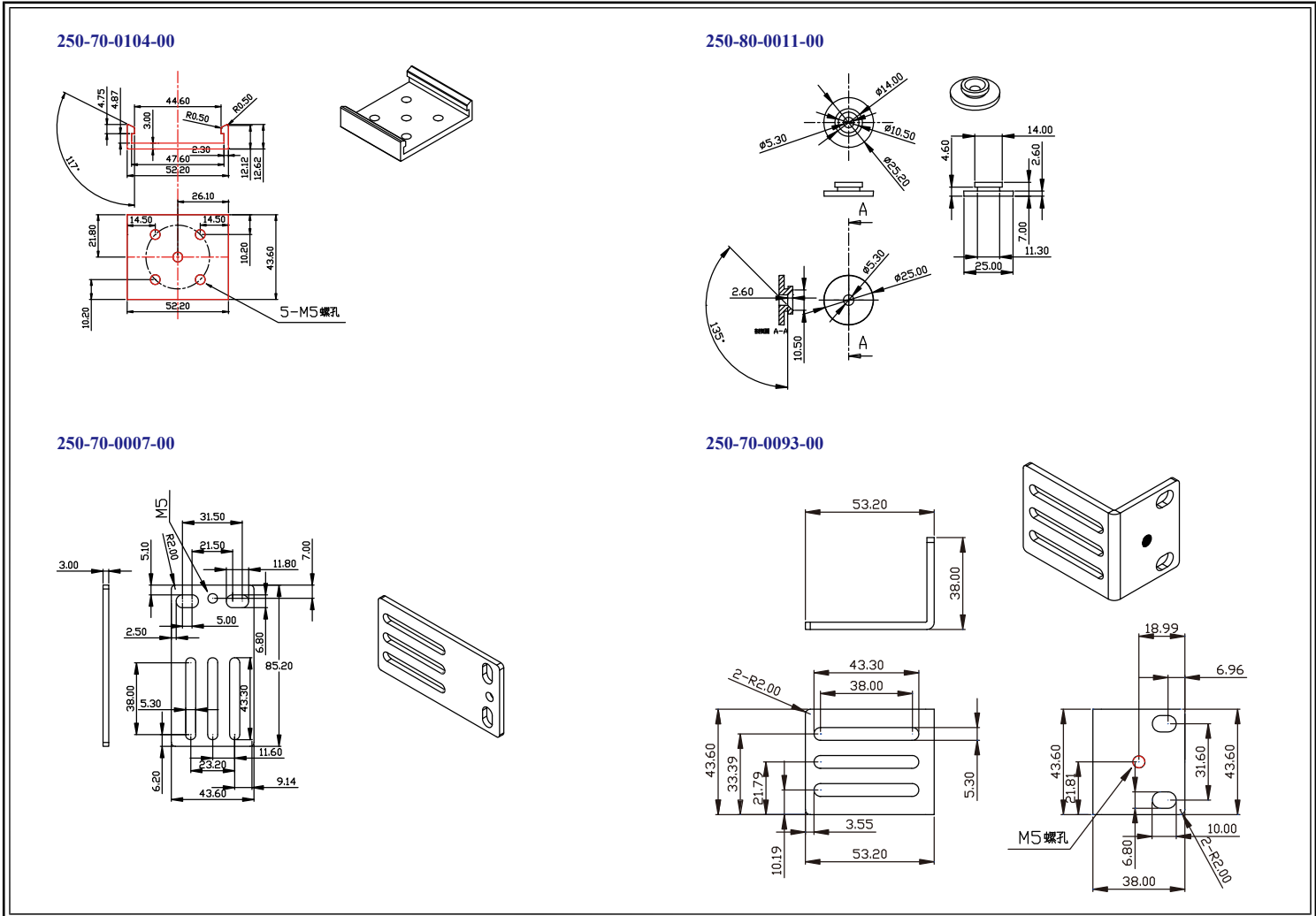


## Technical Specifications / Engineering Submittals

Raritan Model Number: PX2-2530A2

rev20170831

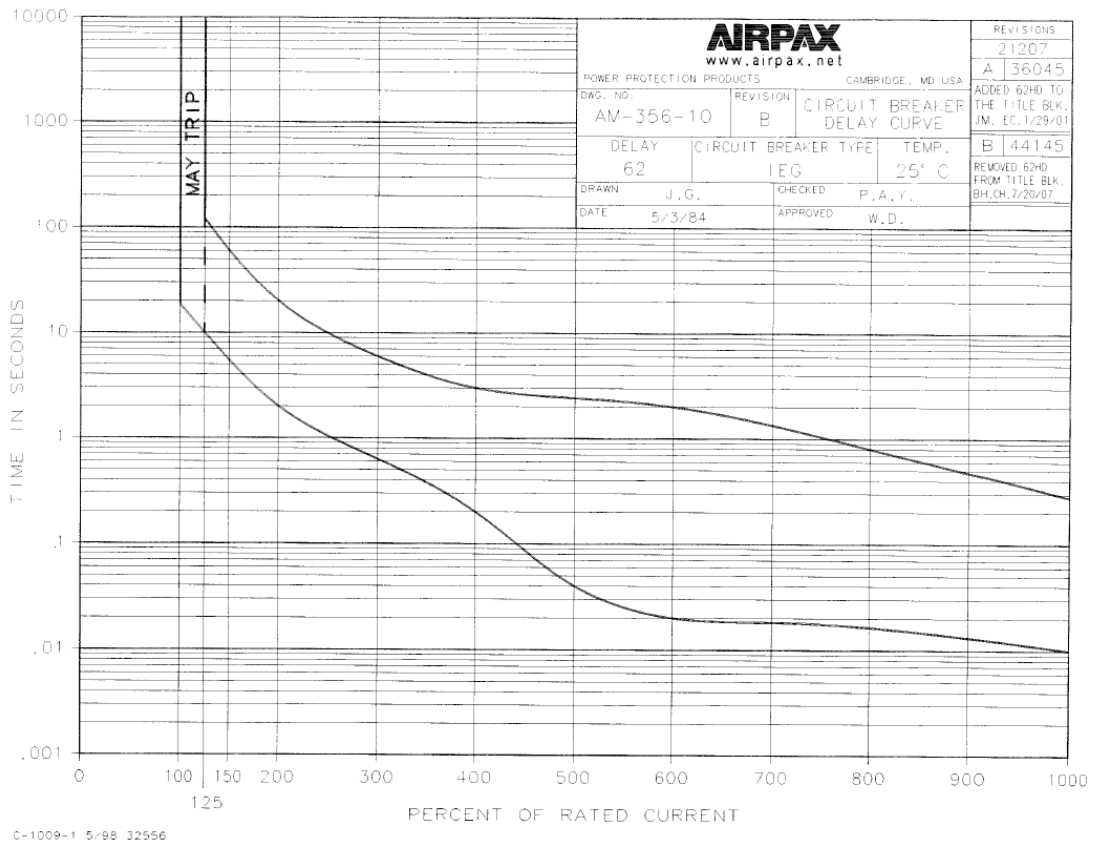
### Mounting Diagram (G2-RACK-FOR-ZU)



**Technical Specifications / Engineering Submittals**  
Raritan Model Number: PX2-2530A2

rev20170831

**TRIP CURVE**



7

This file generated on: Thu, August 31, 2017 - 04:46:11