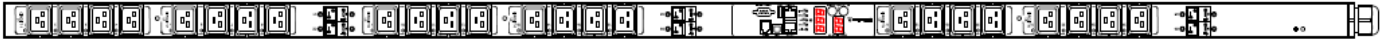


Technical Specifications / Engineering Submittals

Raritan Model Number: PX2-5690U-N1

rev20180131

LINE DRAWING



FEATURES

Energy Metering	Voltage (V), Current (A), Active Power (kW), Real Power (kVA), Energy (kWh), Power Factor
Metering Accuracy	ISO/IEC 62053-21 1%
Metering per Input Line	Yes
Metering per Branch Circuit Breaker	Yes
Metering per Output Receptacle	Yes
Remote Outlet Switching	Yes
Environmental Sensor Ready	Yes
Replaceable Controller	No
Compatible Sensors	Temperature, Humidity, Air Flow, Differential Pressure, Water Leak, and Contact Closure
Networking	(10/100 BaseT) Ethernet port. Optional WiFi (802.11a/b/g/n)
Remote Management	HTTP(s); SSH; Telnet; RS-232 (Serial); Power IQ; SNMP version v2/v3; SMTP; JSON-RPC
Cascading	Yes, Max 8 PDUs can be daisy chained using USB connection
Onboard Display	3-digit LED user-selectable display : Voltage, current, or active power (per line, per breaker or per receptacle / outlet); Auto-flip orientation
Embedded Processor	ARM9 400MHZ (Atmel SAM9G20), 16MB NOR Flash, 64MB SDRAM

Technical Specifications / Engineering Submittals

Raritan Model Number: PX2-5690U-N1

rev20180131

INPUT

Input Plug	NEMA L22-30P (4P5W)
Cord Length	3 meters (9.84 feet) standard
Cord Entry	Top-end feed
Cable Type	IP44("splashproof")
Number of Power Cords	1
Maximum Input Current	30A
Nominal Input Voltage	415V 3 phase
Rated Input Voltage	360 - 415V 3 phase
Input Frequency	50/60Hz
Power Capacity	15.0kVA at 360V, 17.3kVA at 415V

OUTPUT

Nominal Output Voltage	208V
Rated Output Voltage	208 - 240V
Receptacles (Output Connections)	(24) IEC320 C19, 16A
Securelock Support	Yes
Cord Retention	Yes
Overload Protection	(6) Airpax LELBX1-20

PHYSICAL

Color	Black powder coat (custom colors available)
Unit Dimensions (WxDxH)	1.8" x 3.9" x 70.1" ; 45mm x 100mm x 1780mm
Unit Weight	10.5 kg
Shipping Weight	13.5 kg
Shipping Dimensions (WxDxH)	12.99" x 5.51" x 80.2" ; 330mm x 140mm x 2037mm
Mounting	Tool-less button mount

Technical Specifications / Engineering Submittals

Raritan Model Number: PX2-5690U-N1

rev20180131

ENVIRONMENTAL

Operating Temperature	60°C
Operating Relative Humidity	85%
Operating Elevation	0-10000ft

CONFORMANCE

Regulatory Approvals	UL Listed, Canada ICES-003, Part 15 Class A of the FCC rules, RoHS compliant
Warranty	Standard 2 years manufacturer warranty

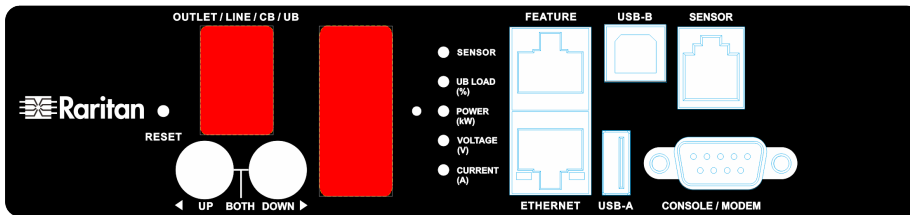
Technical Specifications / Engineering Submittals

Raritan Model Number: PX2-5690U-N1

rev20180131

CONTROL PANEL

Dimension: 188mm x 43mm

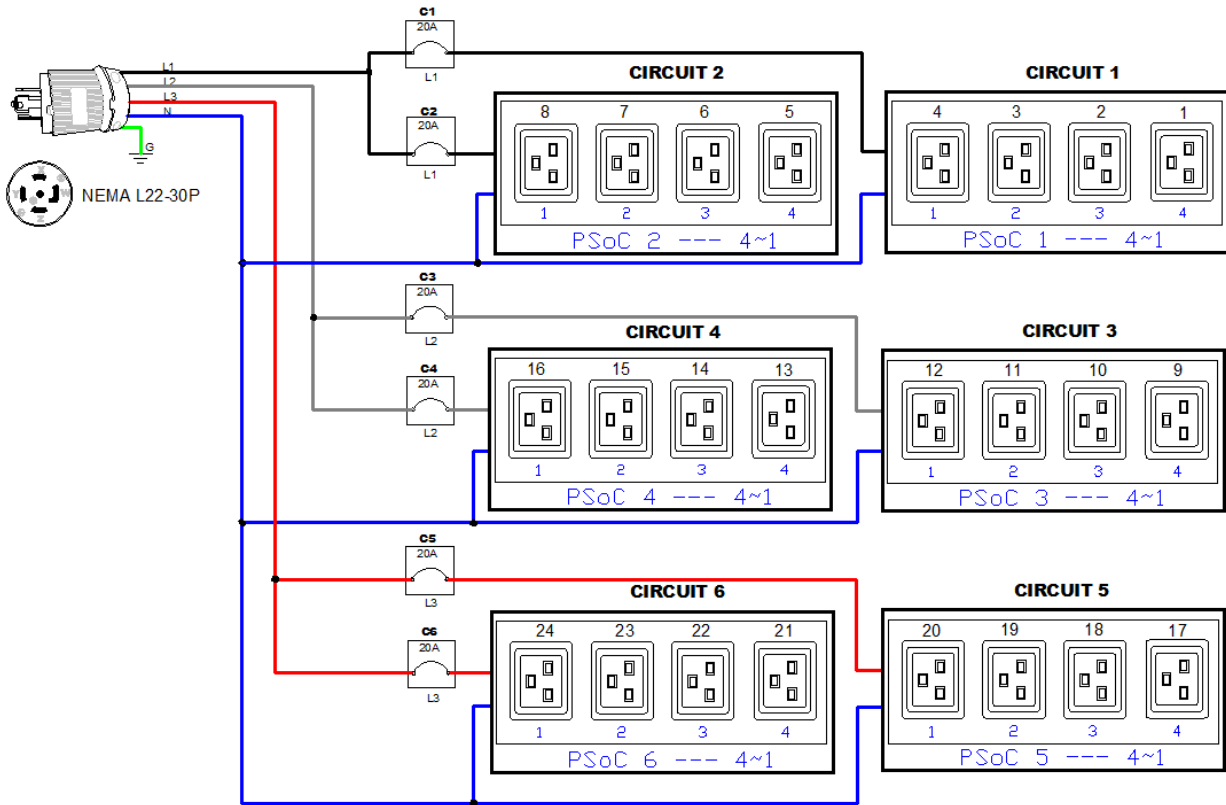


Technical Specifications / Engineering Submittals

Raritan Model Number: PX2-5690U-N1

rev20180131

ELECTRICAL (ONE LINE) DIAGRAM

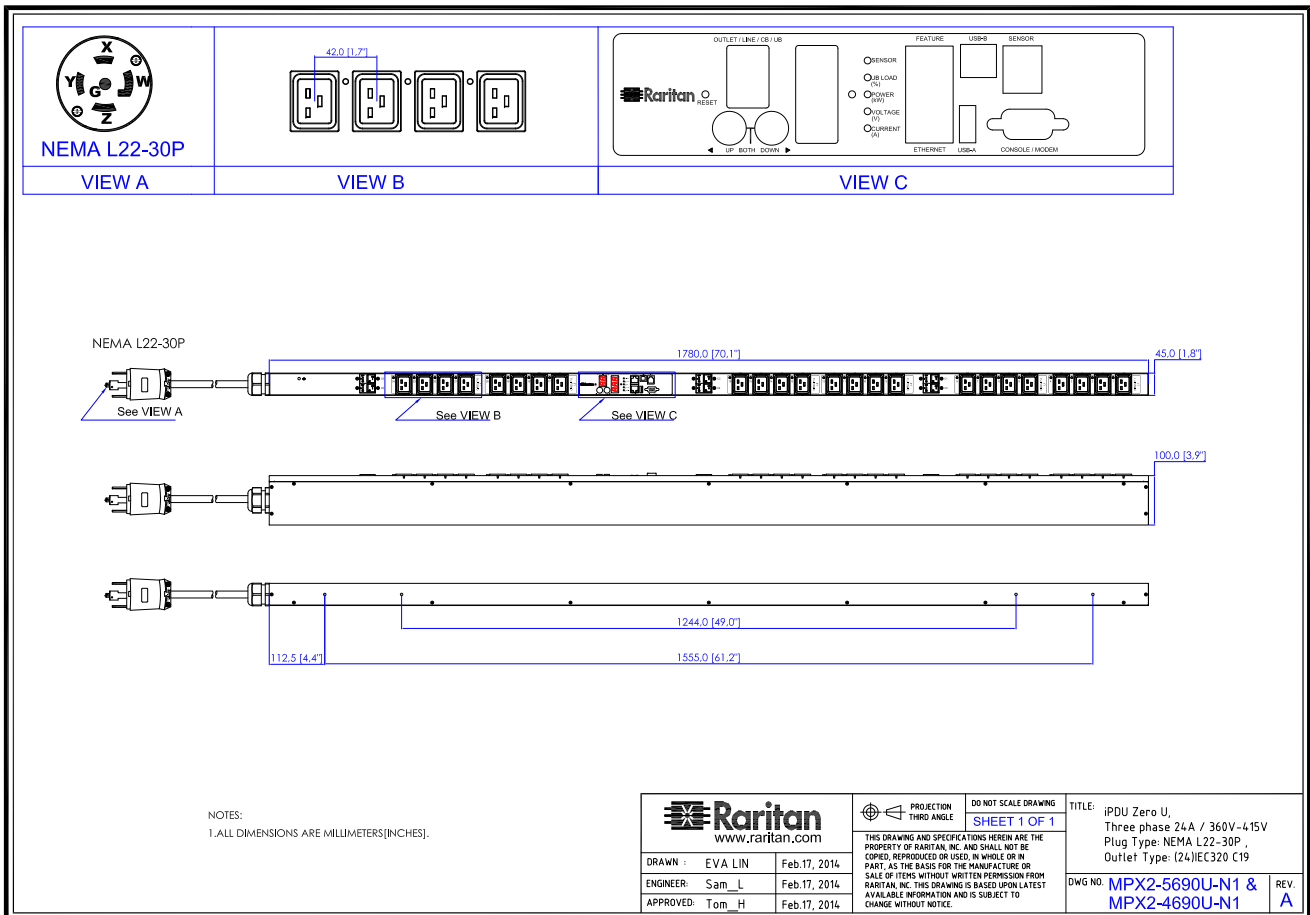


Technical Specifications / Engineering Submittals

Raritan Model Number: PX2-5690U-N1

rev20180131

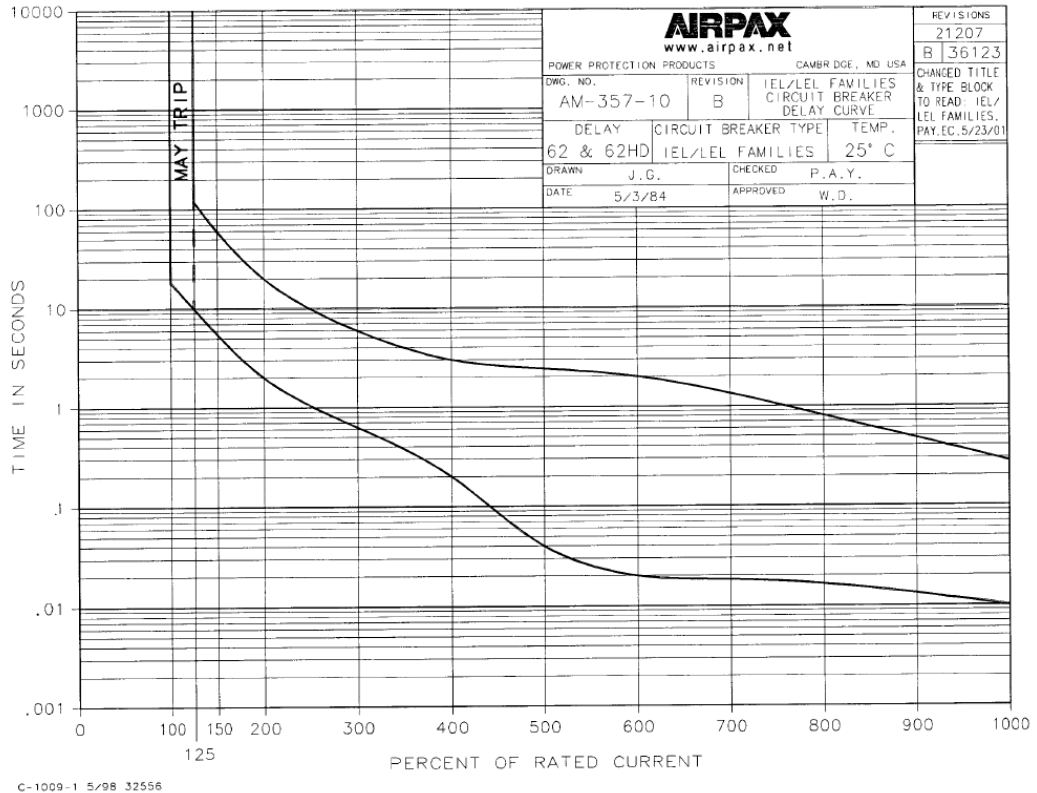
MECHANICAL DIAGRAM



Technical Specifications / Engineering Submittals
Raritan Model Number: PX2-5690U-N1

rev20180131

TRIP CURVE



7