

## Technical Specifications / Engineering Submittals

Raritan Model Number: PX2-2633

rev20180620

### LINE DRAWING



### FEATURES

|                                     |  |
|-------------------------------------|--|
| Energy Metering                     | Voltage (V), Current (A), Active Power (kW), Real Power (kVA), Energy (kWh), Power Factor                                |
| Metering Accuracy                   | ISO/IEC 62053-21 1%  |
| Metering per Input Line             | Yes  |
| Metering per Branch Circuit Breaker | Yes  |
| Metering per Output Receptacle      | No   |
| Remote Outlet Switching             | Yes  |
| Environmental Sensor Ready          | Yes  |
| Replaceable Controller              | No   |
| Compatible Sensors                  | Temperature, Humidity, Air Flow, Differential Pressure, Water Leak, and Contact Closure                                  |
| Networking                          | (10/100 BaseT) Ethernet port. Optional WiFi (802.11a/b/g/n)  |
| Remote Management                   | HTTP(s); SSH; Telnet; RS-232 (Serial); Power IQ; SNMP version v2/v3; SMTP; JSON-RPC                                      |
| Cascading                           | Yes, Max 8 PDUs can be daisy chained using USB connection  |
| Onboard Display                     | 3-digit LED user-selectable display : Voltage, current, or active power (per line or per breaker); Auto-flip orientation |
| Embedded Processor                  | ARM9 400MHZ (Atmel SAM9G20), 16MB NOR Flash, 64MB SDRAM  |

## Technical Specifications / Engineering Submittals

Raritan Model Number: PX2-2633

rev20180620

### INPUT

|                       |                                  |
|-----------------------|----------------------------------|
| Input Plug            | NEMA L22-30P (4P5W)              |
| Cord Length           | 3 meters (9.84 feet) standard    |
| Cord Entry            | Bottom-front feed                |
| Cable Type            | IP44("splashproof")              |
| Number of Power Cords | 1                                |
| Maximum Input Current | 30A                              |
| Nominal Input Voltage | 415V 3 phase                     |
| Rated Input Voltage   | 360 - 415V 3 phase               |
| Input Frequency       | 50/60Hz                          |
| Power Capacity        | 15.0kVA at 360V, 17.3kVA at 415V |

### OUTPUT

|                                  |   |
|----------------------------------|---|
| Nominal Output Voltage           | 208V  |
| Rated Output Voltage             | 208 - 240V                                  |
| Receptacles (Output Connections) | (21) IEC320 C13, 12A<br>(3) IEC320 C19, 16A |
| Securelock Support               | Yes   |
| Cord Retention                   | Yes   |
| Overload Protection              | (6) Airpax LELBX1-20                        |

### PHYSICAL

|                             |  |
|-----------------------------|--|
| Color                       | Black powder coat (custom colors available)      |
| Unit Dimensions (WxDxH)     | 2.1" x 2.6" x 70.1" ; 52mm x 65mm x 1780mm       |
| Unit Weight                 | 9 kg   |
| Shipping Weight             | 11.5 kg  |
| Shipping Dimensions (WxDxH) | 11.22" x 4.53" x 75.39" ; 285mm x 115mm x 1915mm |
| Mounting                    | G2-RACK-FOR-ZU                                   |

## Technical Specifications / Engineering Submittals

Raritan Model Number: PX2-2633

rev20180620

### ENVIRONMENTAL

---

|                             |           |
|-----------------------------|-----------|
| Operating Temperature       | 60°C      |
| Operating Relative Humidity | 85%       |
| Operating Elevation         | 0-10000ft |

---

### CONFORMANCE

---

|                      |  |
|----------------------|--|
| Regulatory Approvals | UL Listed, Canada ICES-003, Part 15 Class A of the FCC rules, RoHS compliant |
| Warranty             | Standard 2 years manufacturer warranty                                       |

---

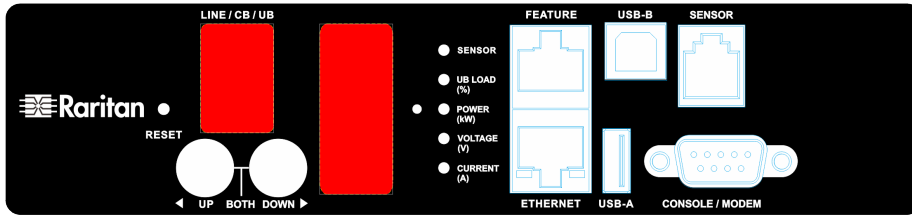
## Technical Specifications / Engineering Submittals

Raritan Model Number: PX2-2633

rev20180620

### CONTROL PANEL

Dimension: 188mm x 43mm

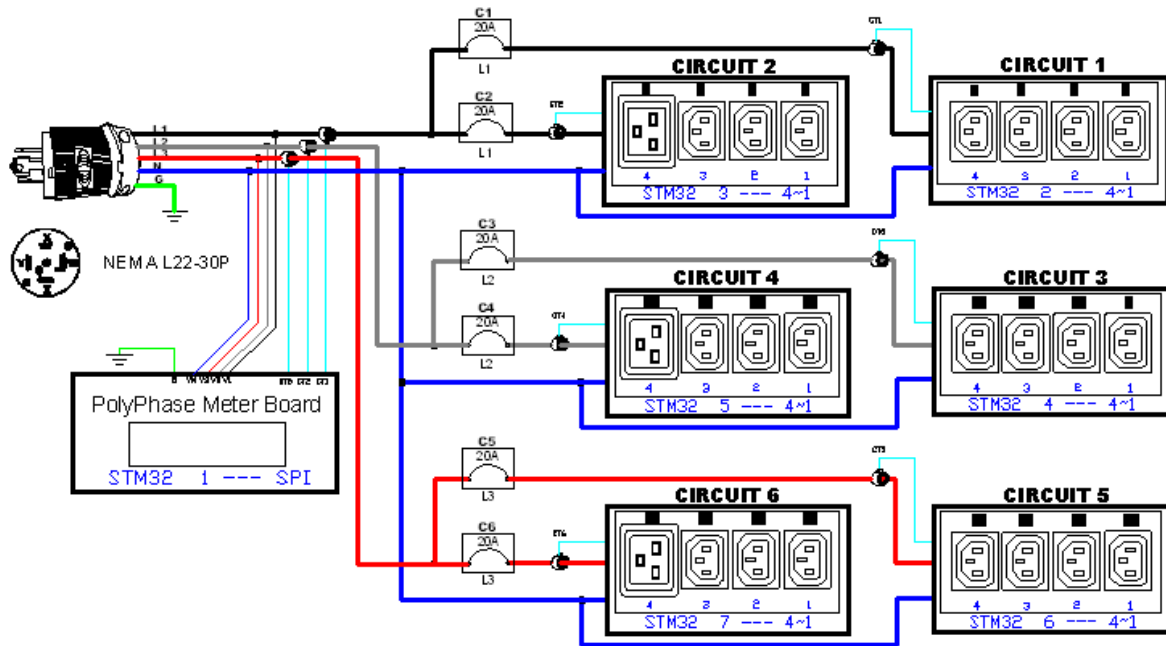


## Technical Specifications / Engineering Submittals

Raritan Model Number: PX2-2633

rev20180620

### ELECTRICAL (ONE LINE) DIAGRAM

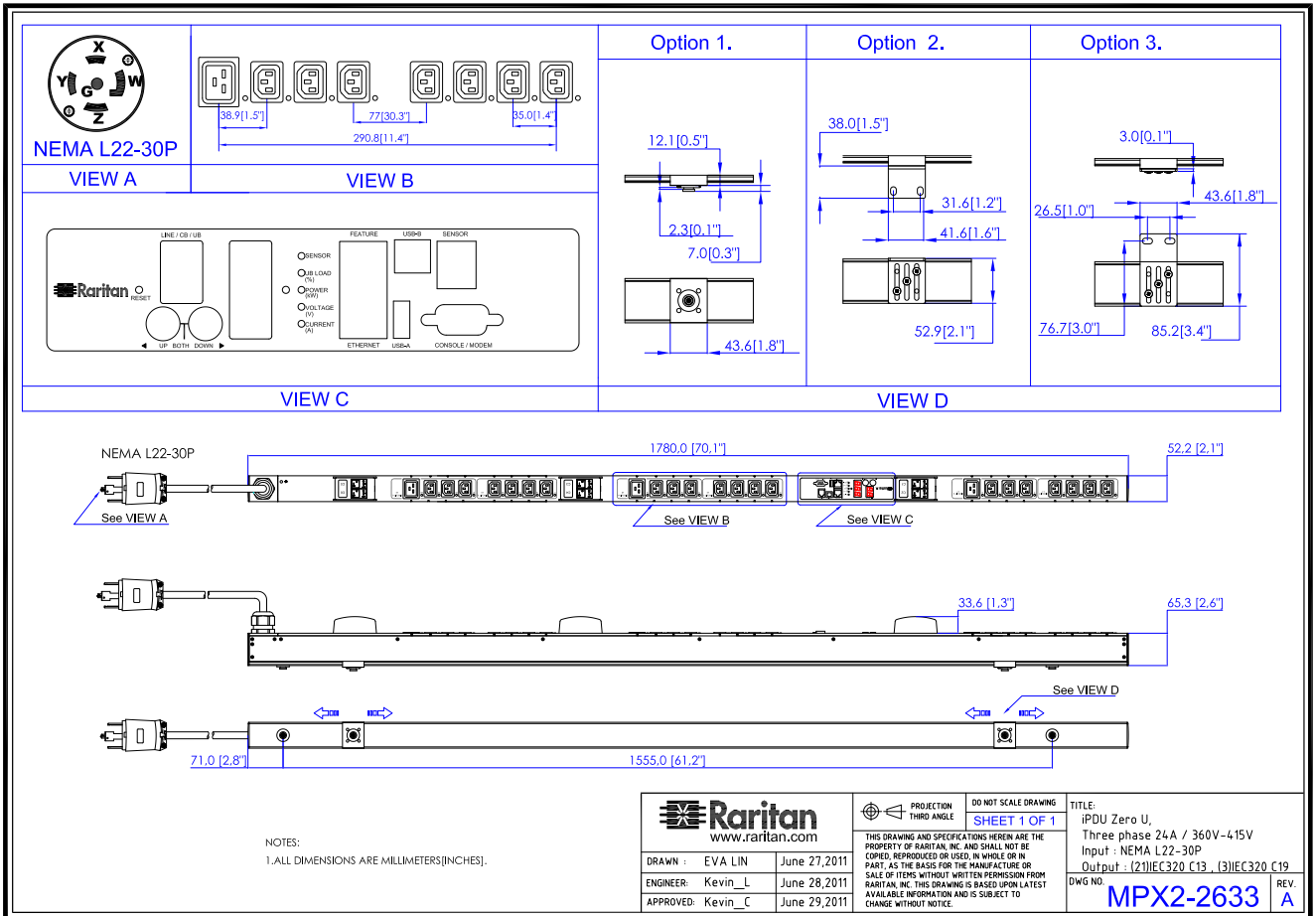


## Technical Specifications / Engineering Submittals

Raritan Model Number: PX2-2633

rev20180620

### MECHANICAL DIAGRAM

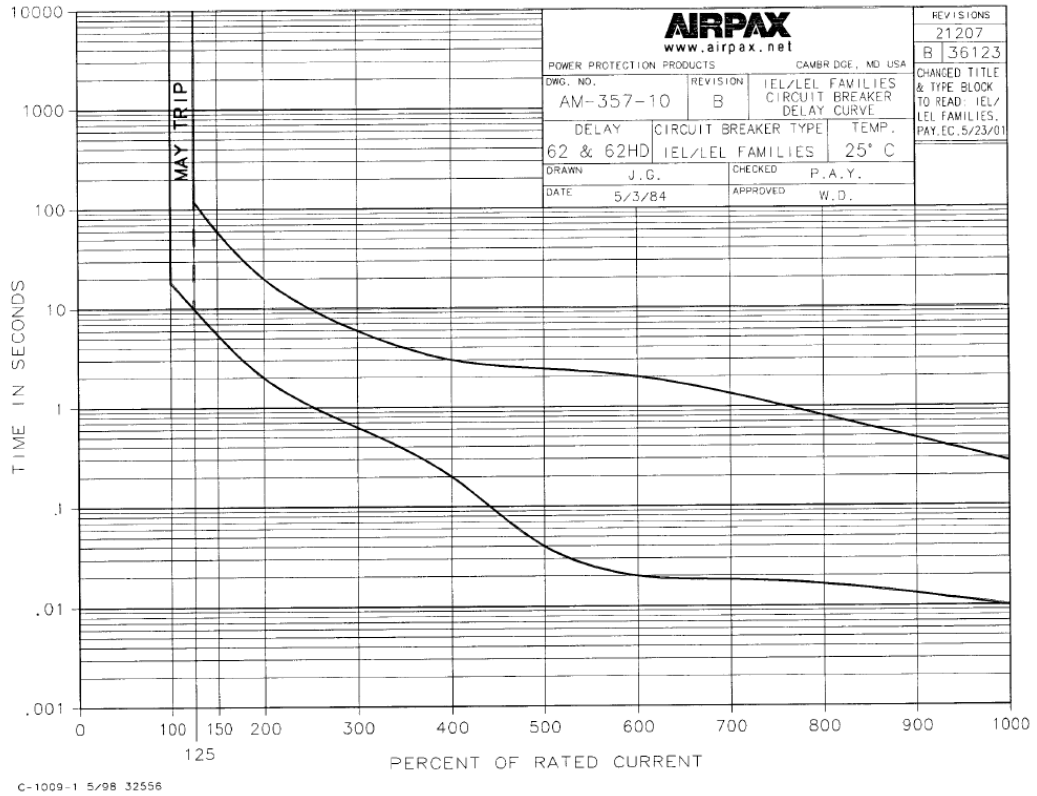




**Technical Specifications / Engineering Submittals**  
Raritan Model Number: PX2-2633

rev20180620

**TRIP CURVE**



7

This file generated on: Wed, June 20, 2018 - 05:35:03