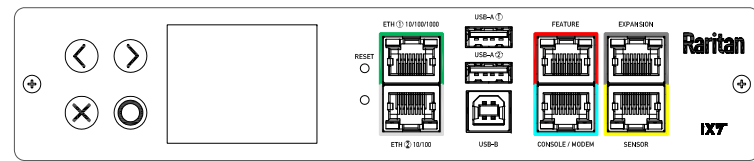
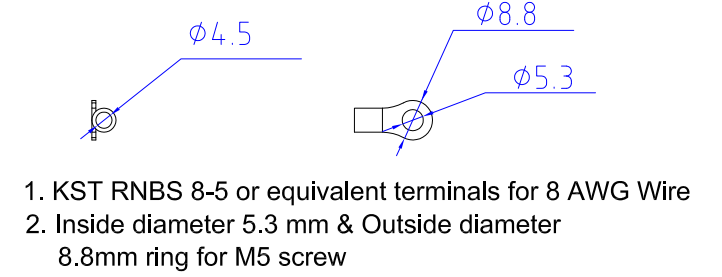
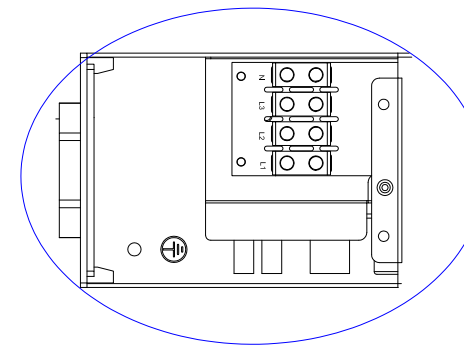


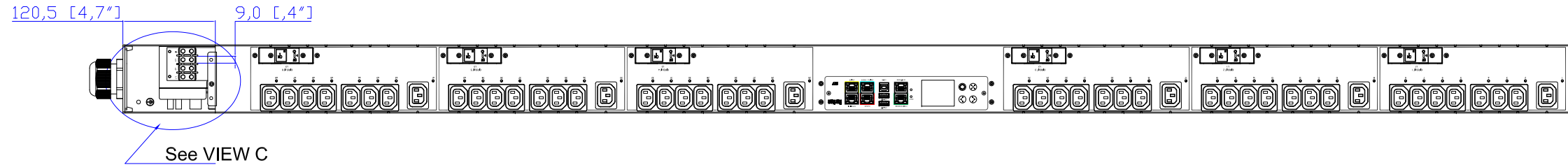
VIEW A



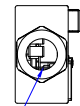
VIEW B



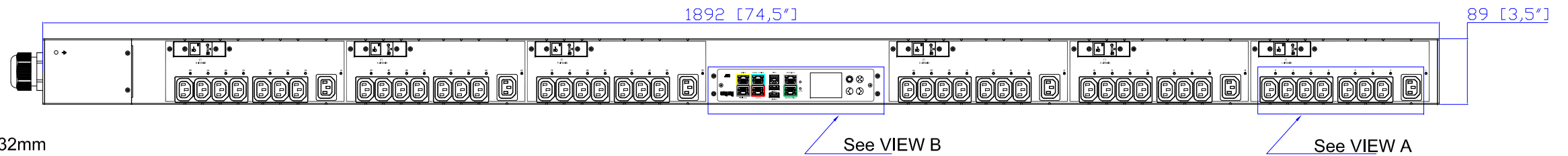
VIEW C



See VIEW C

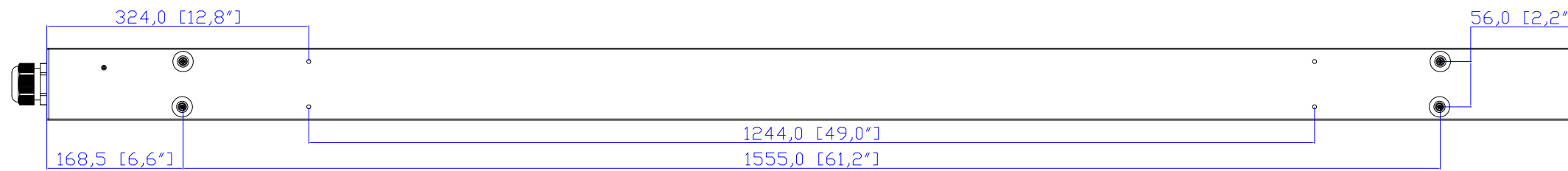
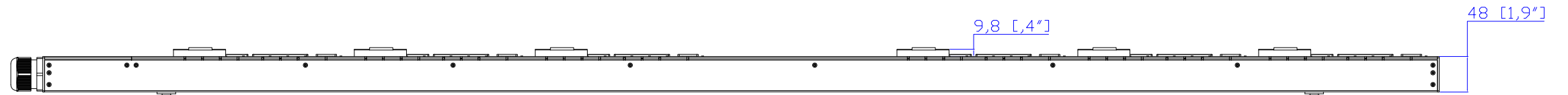


M40 Cable Gland  
Assembly Wire Range: 22-32mm

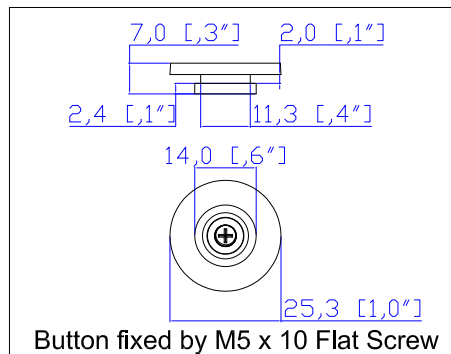


See VIEW B

See VIEW A



- NOTES:
1. INSTALLATION SHALL COMPLY WITH ALL APPLICABLE NATIONAL, STATE AND LOCAL CODES.
  2. PLEASE REFER TO PRODUCT DOCUMENTATION FOR FURTHER INFORMATION.
  3. UNLESS OTHERWISE SPECIFIED, ALL DIMENSIONS ARE IN MILLIMETERS (INCHES).
  4. MOUNTING BUTTON IS AN ALTERNATIVE MOUNTING METHOD TO THE TOOLLESS MOUNT FOR 3RD PARTY ENCLOSURE. BUTTON IS PROVIDED WITH THE UNIT. DETAILED INSTALLATION INSTRUCTIONS CAN BE FOUND IN THE PROVIDED MANUAL.
  5. BRACKET KITS TO MOUNT TO SPECIFIC 3RD PARTY ENCLOSURES ARE AVAILABLE AS OPTIONS.
  6. LENGTH OF THE CORD IS 3000MM +/- 70MM
  7. DIMENSION TOLERANCE: LENGTH +/- 3MM, WIDTH +/- 1MM, DEPTH +/- 0.5MM
  8. REFER TO THE TABLE FOR DETAIL CORD LENGTH DEFINITION



Button fixed by M5 x 10 Flat Screw

**Raritan**  
A brand of **legrand**

Drawing Maker:	EVA LIN	May 23, 2017
Design Engineer:	Sam_L	May 23, 2017
Approver:	Tom_H	May 23, 2017

PROJECTION THIRD ANGLE  
DO NOT SCALE DRAWING  
**SHEET 1 OF 1**

THIS DRAWING AND SPECIFICATIONS HEREIN ARE THE PROPERTY OF RARITAN, Inc. AND SHALL NOT BE COPIED, REPRODUCED OR USED, IN WHOLE OR IN PART, AS THE BASIS FOR THE MANUFACTURE OR SALE OF ITEMS WITHOUT WRITTEN PERMISSION FROM RARITAN, Inc. THIS DRAWING IS BASED UPON LATEST AVAILABLE INFORMATION AND IS SUBJECT TO CHANGE WITHOUT NOTICE.

TITLE:	iPDU Zero U Three Phase, 24A/360-415V Plug Type: 24A Terminal 3PY Outlet Type: C13 (48)
DWG NO.	MPX3-5918XU-N201 M5 & MPX3-4918XU-N201 M5
MODEL NO.	PX3-5918XU-N201 & PX3-4918XU-N201 PX3-5918XU-N201M5 & PX3-4918XU-N201M5
REV.	<b>2A</b>