

## Technical Specifications / Engineering Submittals

Raritan Model Number: PX3-1394U

rev20180718

### LINE DRAWING



### FEATURES

Energy Metering	Voltage (V), Current (A), Active Power (kW), Real Power (kVA), Energy (kWh), Power Factor
Metering Accuracy	ISO/IEC 62053-21 1%
Metering per Input Line	Yes
Metering per Branch Circuit Breaker	Yes
Metering per Output Receptacle	No
Remote Outlet Switching	No
Environmental Sensor Ready	Yes
Replaceable Controller	Yes
Compatible Sensors	Temperature, Humidity, Air Flow, Differential Pressure, Water Leak, and Contact Closure
Networking	Gigabit (10/100/1000 BaseT) Ethernet port; secondary, redundant (10/100 BaseT) Ethernet port. Optional WiFi (802.11a/b/g/n)
Remote Management	HTTP(s); SSH; Telnet; RS-232 (Serial); Power IQ; SNMP version v2/v3; SMTP; JSON-RPC; Modbus over TCP
Cascading	Yes, Max 16 PDUs can be daisy chained using a single Ethernet or USB connection
Onboard Display	Color, matrix LCD display : Voltage, current, or active power (per line or per breaker); Alarms; Configuration information (name, ratings, IP / Networking information); Auto-flip orientation
Embedded Processor	ARM Cortex A5 536MHZ (Atmel A5D35A), 16MB SPI Flash, 64MB DDR2 RAM

## Technical Specifications / Engineering Submittals

Raritan Model Number: PX3-1394U

rev20180718

### INPUT

Input Plug	IEC 60309 3P+N+E 6h 63A (4P5W)
Cord Length	3 meters (9.84 feet) standard
Cord Entry	Top-end feed
Cable Type	IP44("splashproof")
Number of Power Cords	1
Maximum Input Current	63A
Nominal Input Voltage	400V 3 phase
Rated Input Voltage	380 - 415V 3 phase
Input Frequency	50/60Hz
Power Capacity	41.5kVA at 380V, 45.3kVA at 415V

### OUTPUT

Nominal Output Voltage	230V
Rated Output Voltage	220 - 240V
Receptacles (Output Connections)	(24) IEC320 C19, 16A
Securelock Support	Yes
Cord Retention	Yes
Overload Protection	(12) Airpax LEGBX6-37483-16-V

### PHYSICAL

Color	Black powder coat (custom colors available)
Unit Dimensions (WxDxH)	2.8" x 3.1" x 70.1" ; 70mm x 80mm x 1780mm
Unit Weight	11.7 kg
Shipping Weight	15.6 kg
Shipping Dimensions (WxDxH)	18.31" x 6.69" x 83.19" ; 465mm x 170mm x 2113mm
Mounting	Tool-less button mount

## Technical Specifications / Engineering Submittals

Raritan Model Number: PX3-1394U

rev20180718

### ENVIRONMENTAL

---

Operating Temperature	60°C
Operating Relative Humidity	85%
Operating Elevation	0-10000ft

---

### CONFORMANCE

---

Regulatory Approvals	CE, Canada ICES-003, Part 15 Class A of the FCC rules, RoHS compliant
Warranty	Standard 2 years manufacturer warranty

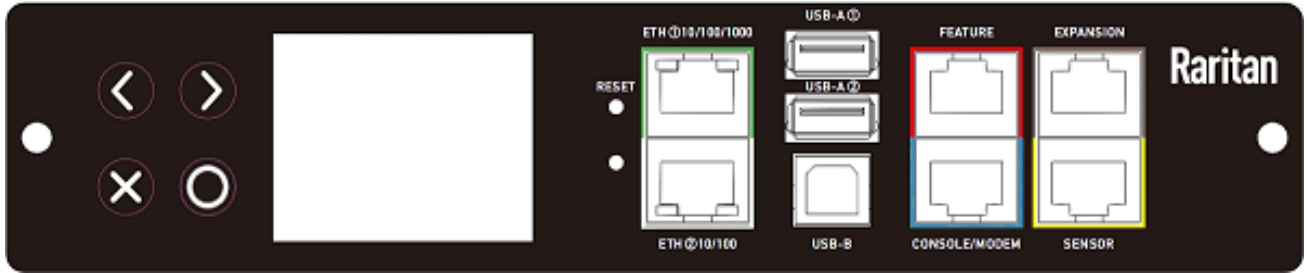
---

## Technical Specifications / Engineering Submittals

Raritan Model Number: PX3-1394U

rev20180718

### CONTROL PANEL

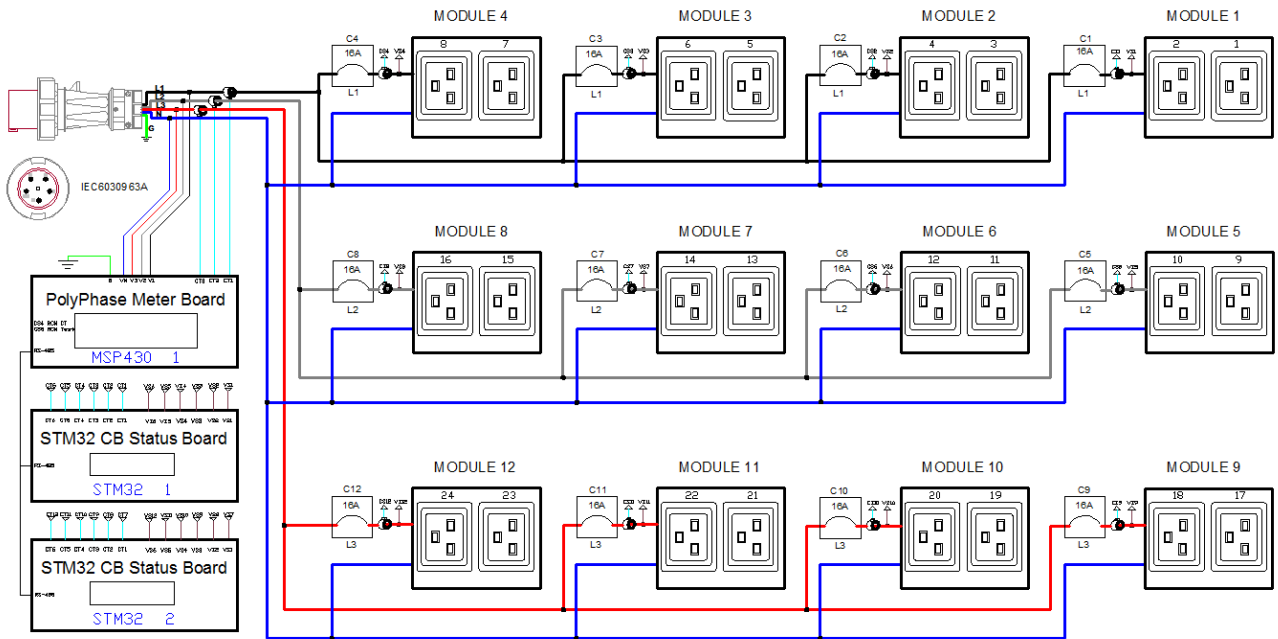


## Technical Specifications / Engineering Submittals

Raritan Model Number: PX3-1394U

rev20180718

### ELECTRICAL (ONE LINE) DIAGRAM

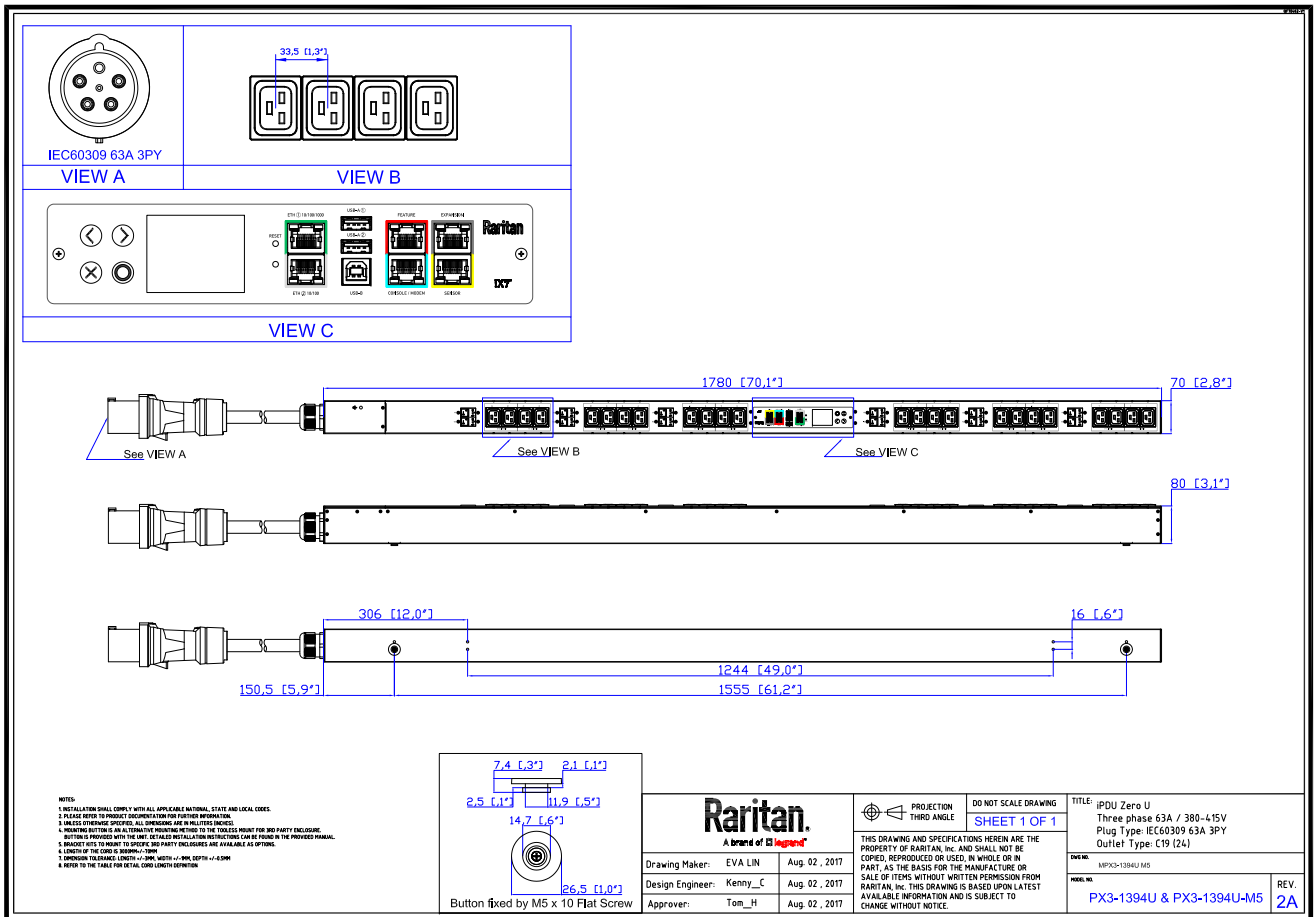


## Technical Specifications / Engineering Submittals

Raritan Model Number: PX3-1394U

rev20180718

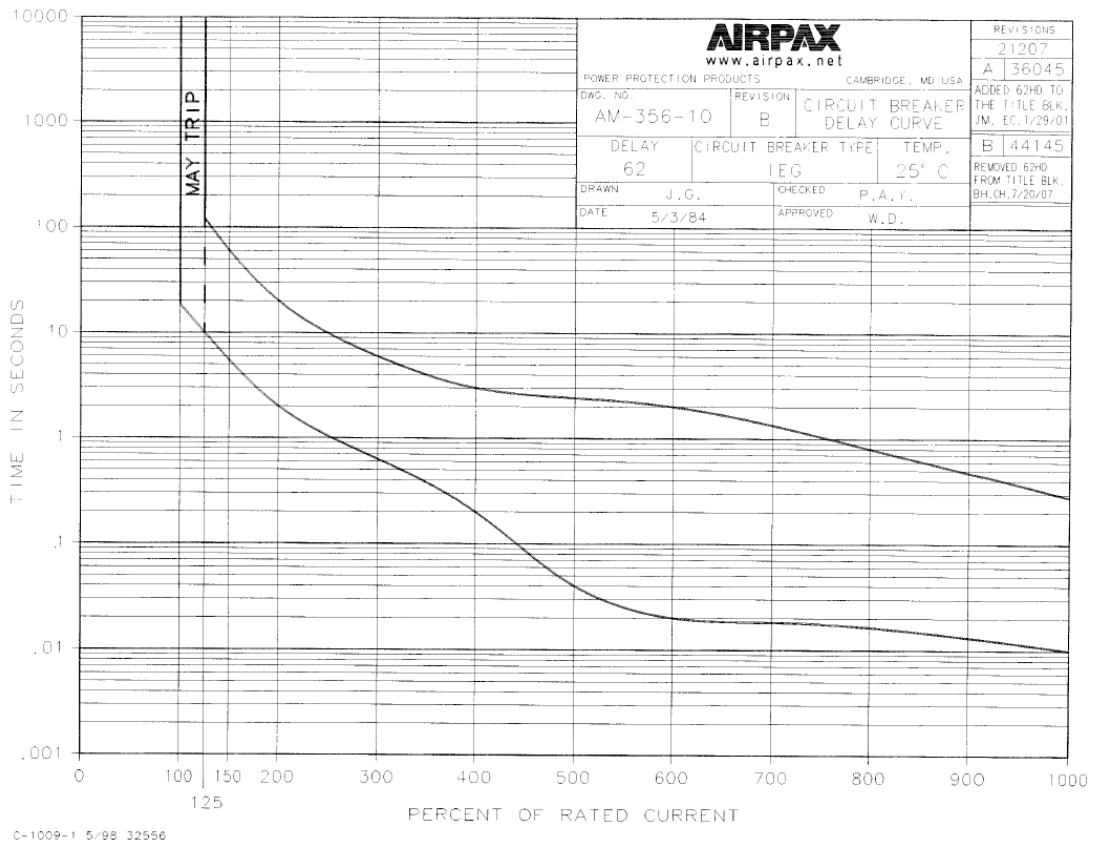
### MECHANICAL DIAGRAM



**Technical Specifications / Engineering Submittals**  
Raritan Model Number: PX3-1394U

rev20180718

**TRIP CURVE**



7