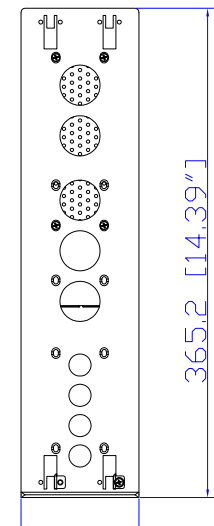
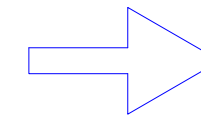
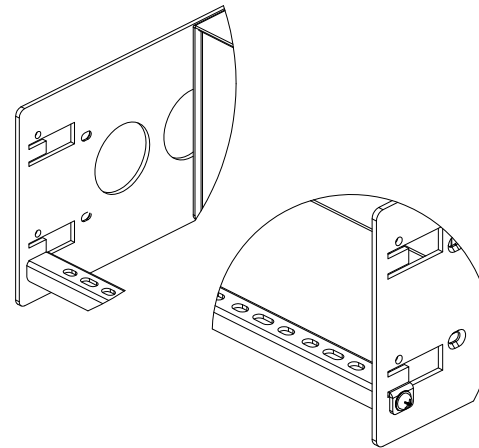
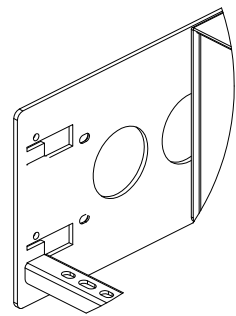
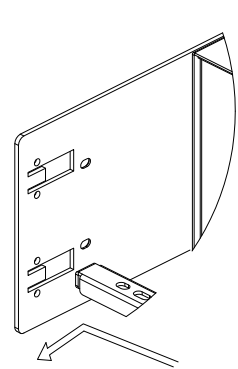


IEC60309 32A 3PY

VIEW A

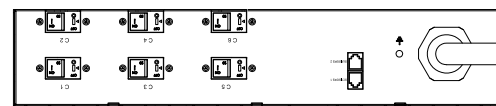


88.1 [3.5"]

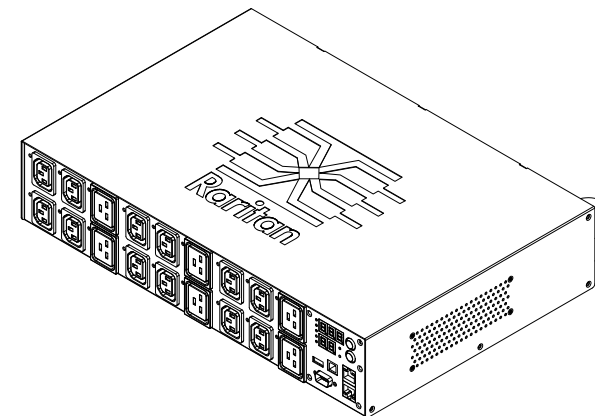
365.2 [14.39"]

VIEW B

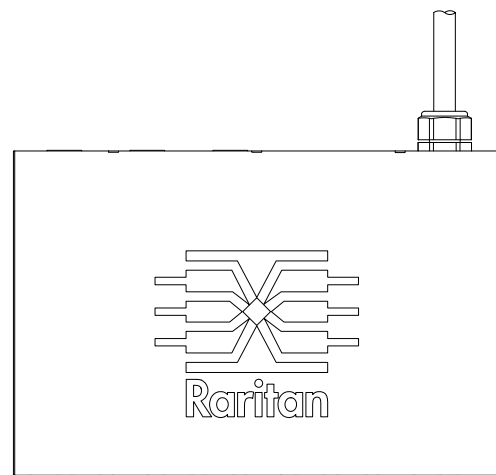
Rear



See VIEW A



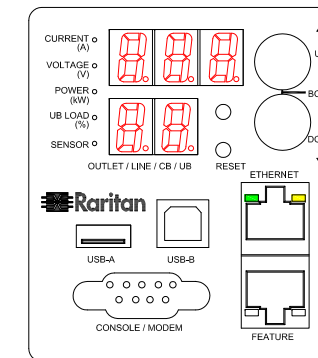
TOP



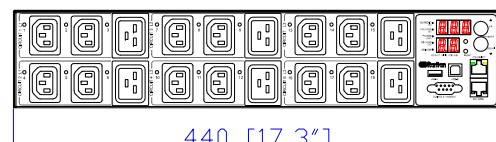
293 [11.5"]

88 [3.5"]

VIEW C



Front



440 [17.3"]

See VIEW C

See VIEW B

NOTES:
ALL DIMENSIONS ARE MILLIMETERS[INCHES].



DO NOT SCALE DRAWING

SHEET 1 OF 1

THIS DRAWING AND SPECIFICATIONS HEREIN ARE THE PROPERTY OF RARITAN, INC. AND SHALL NOT BE COPIED, REPRODUCED OR USED, IN WHOLE OR IN PART, AS THE BASIS FOR THE MANUFACTURE OR SALE OF ITEMS WITHOUT WRITTEN PERMISSION FROM RARITAN, INC. THIS DRAWING IS BASED UPON LATEST AVAILABLE INFORMATION AND IS SUBJECT TO CHANGE WITHOUT NOTICE.

Drawing Maker: Eva Lin Jul. 23, 2015

Design Engineer: Sam-L Jul. 23, 2015

Approver: Tom_H Jul. 23, 2015

TITLE:
iPDU Two U
Three phase, 32A/380V-415V
Plug Type: IEC60309 32A 3PY
Outlet Type: (12)IEC32 C13 (6)IEC32 C19

DWG NO.
MPX2-5906R & MPX2-4906R

REV.
0B