

AV-9607

HDMI Extender over HDBaseT CAT-5e/6

The AV-9607 is HDMI with Bi-Directional IR Extender over CATx cable. With the HDBaseT technology, it delivers up to 4K2K uncompressed video, and supports all HDMI 1.4 features, including EPG, CEC, EDID and HDCP. The unique video coding scheme of HDBaseT ensures the highest video quality at almost zero latency. The product also supports all standard audio formats, including Dolby Digital, DTS, Dolby TrueHD and

DTS-HD-Master Audio. 2 sets of IR cables are included for Bi-Directional IR Remote Control feature for the remote control Source device from the Screen side, or control the Screen from the Source side.

The AV-9607 also supports Power over Cable (POC), the included DC 24V Power supply can be installed at either on TX or RX site only.

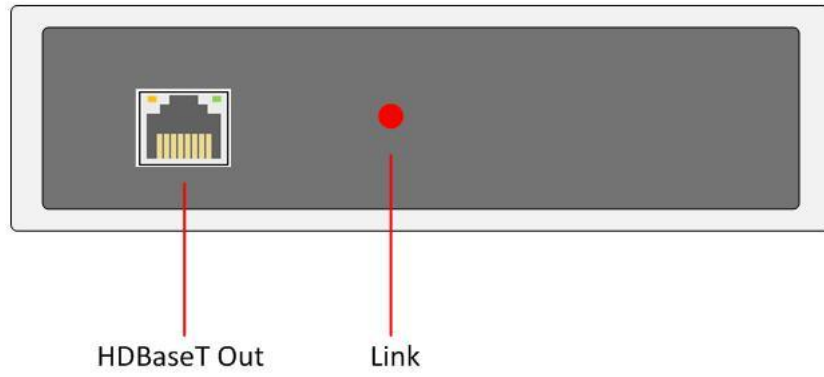
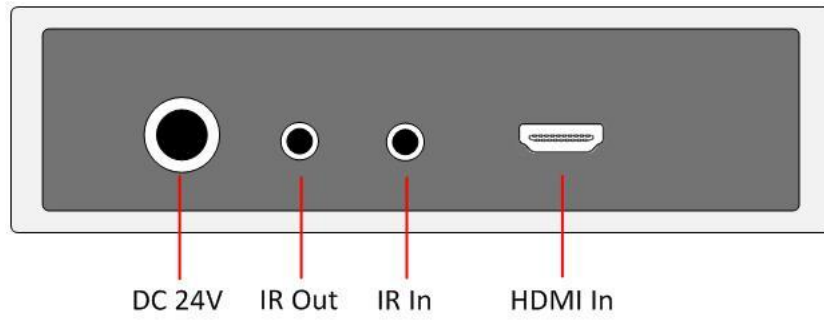


Features

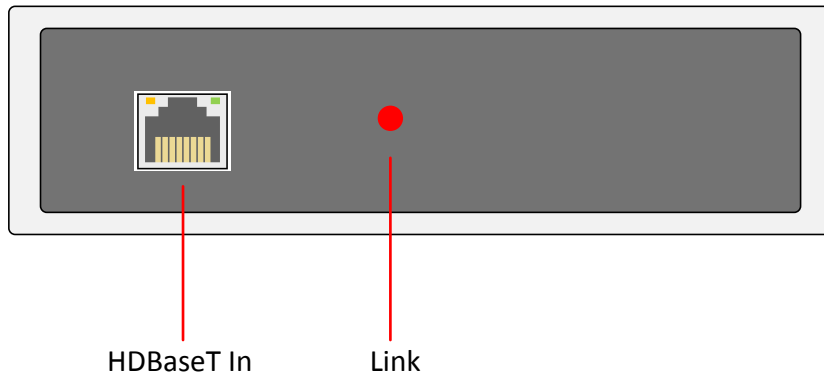
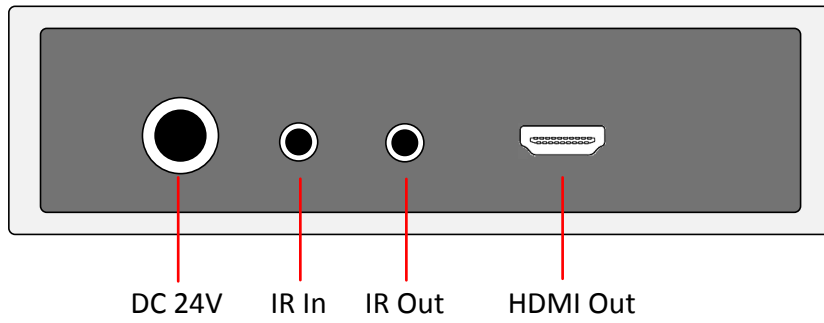
- ❖ Support 4K2K HDMI uncompressed with all HDMI 1.4 features, including EPG, CEC, EDID and HDCP.
- ❖ Support all standard audio formats, including Dolby Digital, DTS, Dolby TrueHD, DTS-HD-Master Audio.
- ❖ Support POC (Power over Cable), either TX or RX needs to be powered by 24V@1A power supply, the other side does not need power from the DC jack. POC Power consumption is less than 10W.
- ❖ Use single UTP LAN cable (CAT5e/6/7) to substitute HDMI cable to achieve long distance transmission.
- ❖ Transmission distance: Over CAT6 cable:
 - 70 meters: 1080P@60Hz36bit; 3D1080P@30Hz36bit;
 - 40 meters: 4K2K@30Hz@24bit; 1080P@60Hz@48bit; 1080P@120Hz@24bit; 3D 1080P@60Hz@36bit.
- ❖ Transfer Bidirectional Infrared control signal together with the HDMI signal.

Front and Back View

AV-9607T



AV-9607R

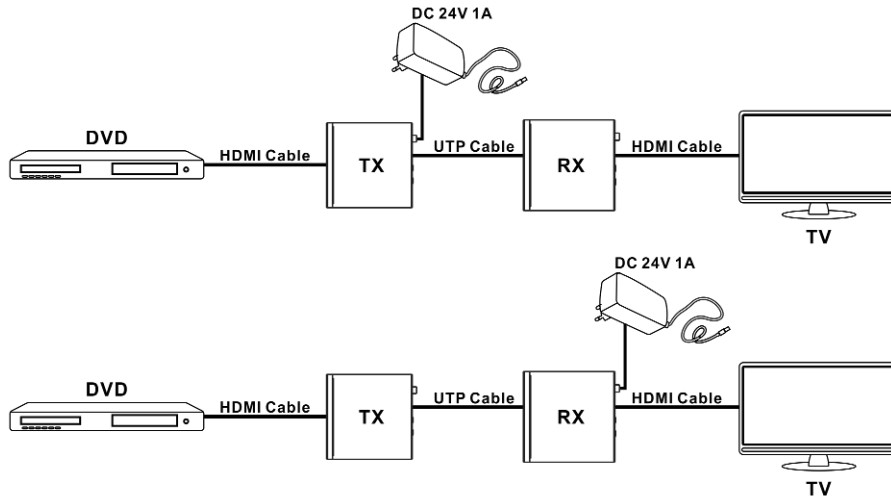


Specification

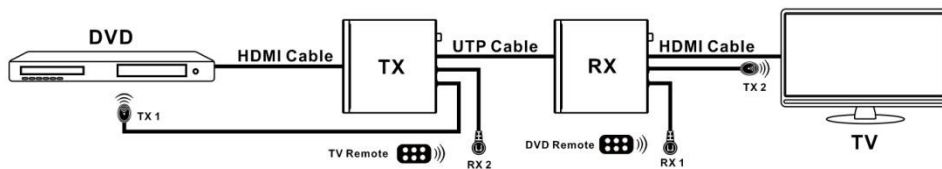
Model No.		AV-9607T Transmitter	AV-9607R Receiver
Connectors	HDMI Input	1	N/A
	HDMI Output	N/A	1
	HDBaseT Input	N/A	1
	HDBaseT Output	1	N/A
	Power Supply	DC 24V 1A (POC on either TX or RX)	
	Mounting ears	Yes	
	IR remote control	1 x IR Tx /1 IR Rx	1 x IR Tx /1 IR Rx
Resolution		1080p or 4K2K (3840x2160@30Hz)	
Frequency Bandwidth		297MHz (10.2Gbps)	
Maximum Distance (with CAT6)		70 meters: 1080P@60Hz36bit; 3D1080P@30Hz36bit; 40 meters: 4K2K@30Hz@24bit; 1080P@60Hz@48bit; 1080P@120Hz@24bit; 3D 1080P@60Hz@36bit	
ESD Protection		±8kV (air-gap discharge)	
Human Body Model		±4kV (contact discharge)	
Power Consumption		10W (max)	
Inter-connect Cable		CAT5e/6/7	
Environment	Operation Temperature	0~40°C	
	Storage Temperature	-20~ 60°C	
	Humidity	20~90% Non-condensing	
Physical Properties	Material	Metal (Black)	
	Weight	200 g	200 g
	Dimension	65x100x25mm	65x100x25 mm

Diagram

POC (Power over Cable)



Bidirectional Infrared control



Application Example

