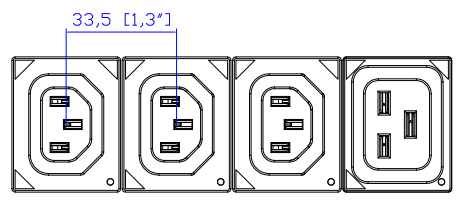


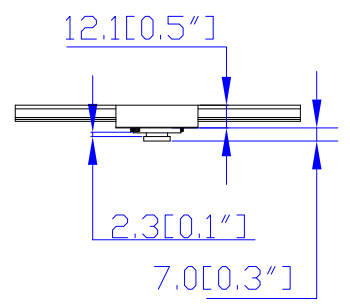
1. KST RNBS 5-5 or equivalent terminals for 10 AWG Wire
2. Inside diameter 5.3mm & Outside diameter 8.9mm terminal ring for M5 screw

VIEW A

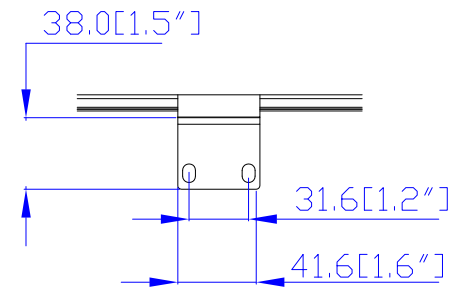


VIEW B

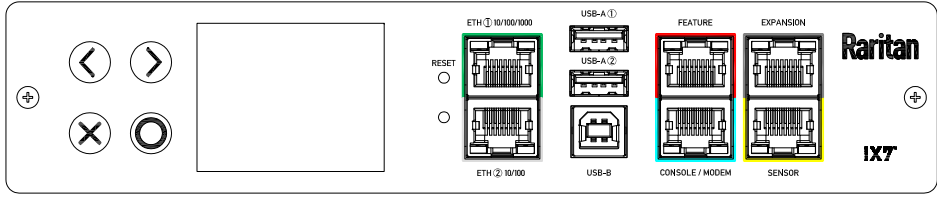
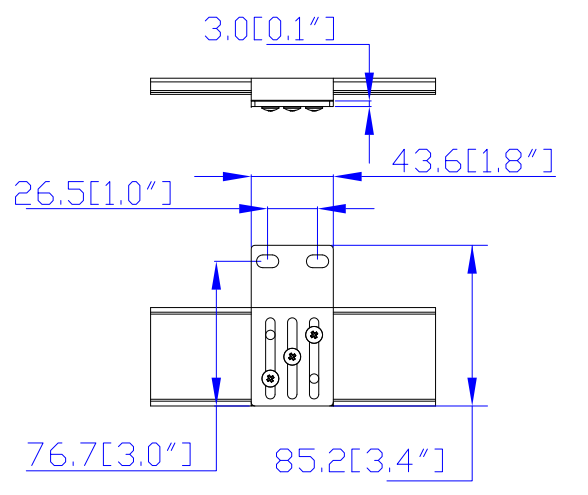
Option 1.



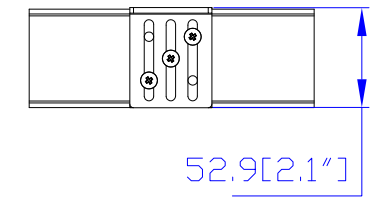
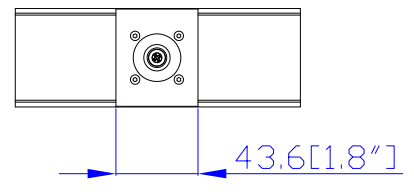
Option 2.



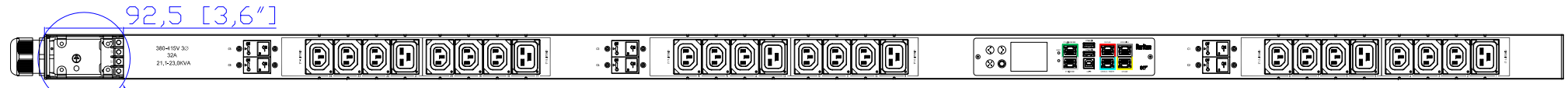
Option 3.



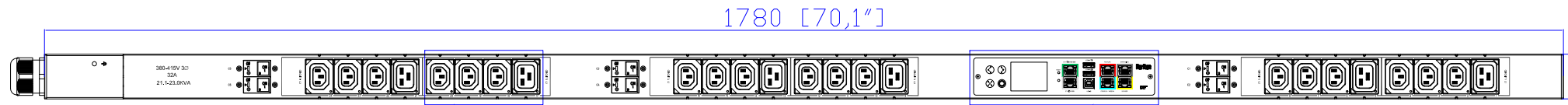
VIEW C



VIEW D

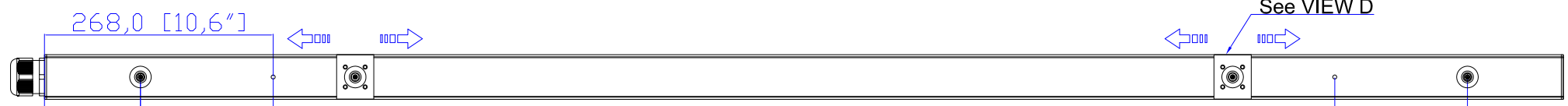
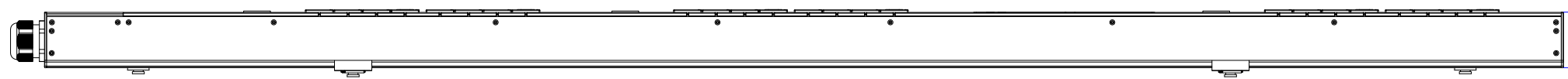


See VIEW A

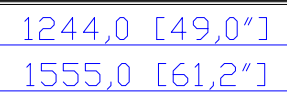
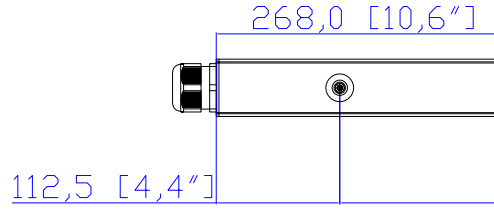


See VIEW B

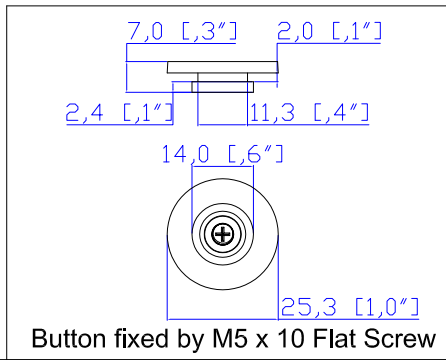
See VIEW C



See VIEW D



- NOTES
1. INSTALLATION SHALL COMPLY WITH ALL APPLICABLE NATIONAL, STATE AND LOCAL CODES.
 2. PLEASE REFER TO PRODUCT DOCUMENTATION FOR FURTHER INFORMATION.
 3. UNLESS OTHERWISE SPECIFIED, ALL DIMENSIONS ARE IN MILLIMETERS [INCHES].
 4. MOUNTING BUTTON IS AN ALTERNATIVE MOUNTING METHOD TO THE TOOLLESS MOUNT FOR 3RD PARTY ENCLOSURE. BUTTON IS PROVIDED WITH THE UNIT. DETAILED INSTALLATION INSTRUCTIONS CAN BE FOUND IN THE PROVIDED MANUAL.
 5. BRACKET KITS TO MOUNT TO SPECIFIC 3RD PARTY ENCLOSURES ARE AVAILABLE AS OPTIONS.
 6. LENGTH OF THE CORD IS 3000MM +/- 70MM
 7. DIMENSION TOLERANCE: LENGTH +/- 3MM, WIDTH +/- 1MM, DEPTH +/- 0.5MM



Raritan
A brand of **Legrand**

Drawing Maker:	EVA LIN	Apr. 13, 2018
Design Engineer:	Sam_L	Apr. 13, 2018
Approver:	Tom_H	Apr. 13, 2018

PROJECTION THIRD ANGLE
DO NOT SCALE DRAWING
SHEET 1 OF 1

THIS DRAWING AND SPECIFICATIONS HEREIN ARE THE PROPERTY OF RARITAN, Inc. AND SHALL NOT BE COPIED, REPRODUCED OR USED, IN WHOLE OR IN PART, AS THE BASIS FOR THE MANUFACTURE OR SALE OF ITEMS WITHOUT WRITTEN PERMISSION FROM RARITAN, Inc. THIS DRAWING IS BASED UPON LATEST AVAILABLE INFORMATION AND IS SUBJECT TO CHANGE WITHOUT NOTICE.

TITLE:	iPDU Zero U Three Phase, 32A/380-415V Plug Type: 32A Terminal 3PY Outlet Type: C13 (18), C19 (6)
DWG NO.	MPX3-5528XV-V2 M5 & MPX3-4528XV-V2 M5
MODEL NO.	PX3-5528XV-V2 & PX3-4528XV-V2 PX3-5528XV-V2M5 & PX3-4528XV-V2M5
REV.	2A