

## Technical Specifications / Engineering Submittals

Raritan Model Number: PX2-4945

rev20170831

### LINE DRAWING



### FEATURES

Energy Metering	Voltage (V), Current (A), Active Power (kW), Real Power (kVA), Energy (kWh), Power Factor
Metering Accuracy	ISO/IEC 62053-21 1%
Metering per Input Line	Yes
Metering per Branch Circuit Breaker	Yes
Metering per Output Receptacle	Yes
Remote Outlet Switching	No
Environmental Sensor Ready	Yes
Replaceable Controller	No
Compatible Sensors	Temperature, Humidity, Air Flow, Differential Pressure, Water Leak, and Contact Closure
Networking	(10/100 BaseT) Ethernet port. Optional WiFi (802.11a/b/g/n)
Remote Management	HTTP(s); SSH; Telnet; RS-232 (Serial); Power IQ; SNMP version v2/v3; SMTP; JSON-RPC
Cascading	Yes, Max 8 PDUs can be daisy chained using USB connection
Onboard Display	3-digit LED user-selectable display : Voltage, current, or active power (per line, per breaker or per receptacle / outlet); Auto-flip orientation
Embedded Processor	ARM9 400MHZ (Atmel SAM9G20), 16MB NOR Flash, 64MB SDRAM

## Technical Specifications / Engineering Submittals

Raritan Model Number: PX2-4945

rev20170831

### INPUT

Input Plug	IEC 60309 3P+N+E 6h 32A (4P5W)
Cord Length	3 meters (9.84 feet) standard
Cord Entry	Bottom-front feed
Cable Type	IP44("splashproof")
Number of Power Cords	1
Maximum Input Current	32A
Nominal Input Voltage	415V 3 phase
Rated Input Voltage	380 - 415V 3 phase
Input Frequency	50/60Hz
Power Capacity	41.5kVA at 380V, 45.3kVA at 415V

### OUTPUT

Nominal Output Voltage	230V
Rated Output Voltage	220 - 240V
Receptacles (Output Connections)	(18) IEC320 C19, 16A
Securelock Support	Yes
Cord Retention	Yes
Overload Protection	(18) [Airpax] IEGBX-6-37664-16-V

### PHYSICAL

Color	Black powder coat (custom colors available)
Unit Dimensions (WxDxH)	2.8" x 3.1" x 68.9" ; 70mm x 80mm x 1750mm
Unit Weight	TBD
Shipping Weight	2 kg
Shipping Dimensions (WxDxH)	18.31" x 6.69" x 76.57" ; 465mm x 170mm x 1945mm
Mounting	Tool-less button mount

## Technical Specifications / Engineering Submittals

Raritan Model Number: PX2-4945

rev20170831

### ENVIRONMENTAL

---

Operating Temperature	50°C
Operating Relative Humidity	85%
Operating Elevation	0-10000ft

---

### CONFORMANCE

---

Regulatory Approvals	UL Listed, Canada ICES-003, Part 15 Class A of the FCC rules, RoHS compliant
Warranty	Standard 2 years manufacturer warranty

---

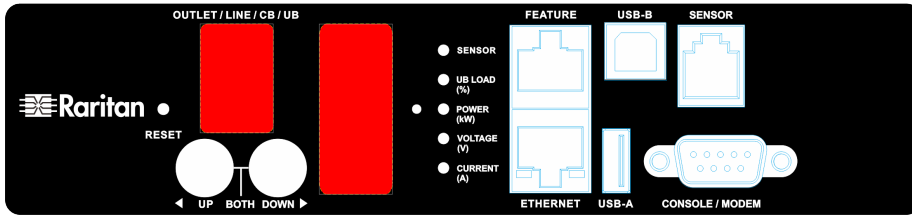
## Technical Specifications / Engineering Submittals

Raritan Model Number: PX2-4945

rev20170831

### CONTROL PANEL

Dimension: 188mm x 43mm

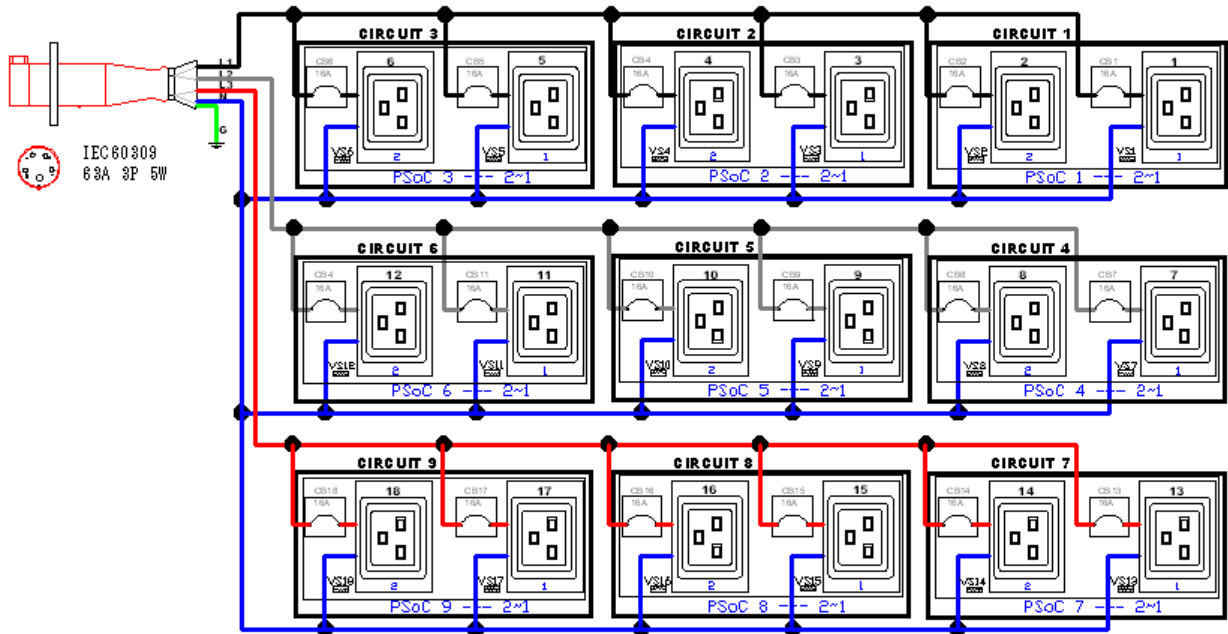


## Technical Specifications / Engineering Submittals

Raritan Model Number: PX2-4945

rev20170831

### ELECTRICAL (ONE LINE) DIAGRAM

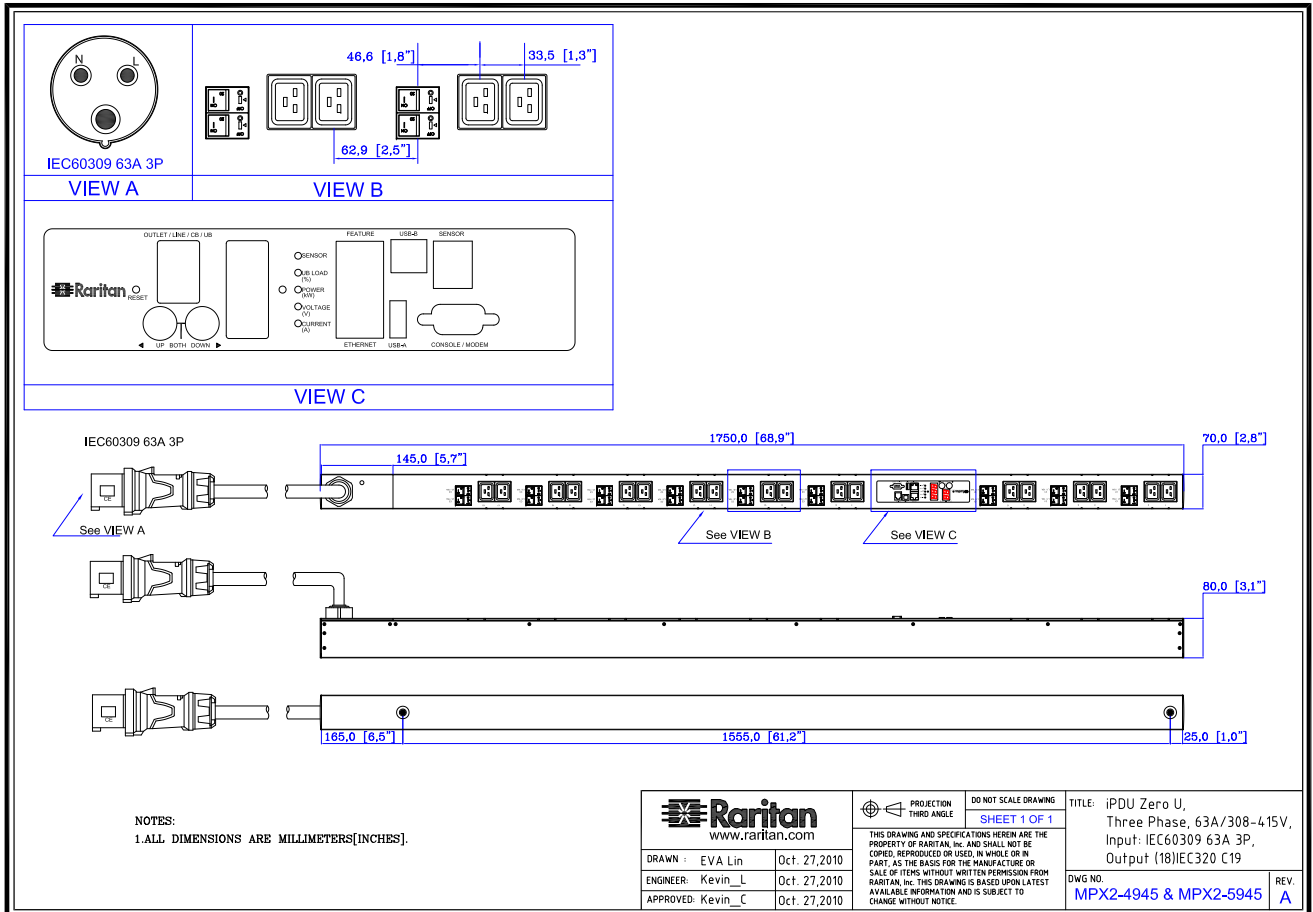


## Technical Specifications / Engineering Submittals

Raritan Model Number: PX2-4945

rev20170831

### MECHANICAL DIAGRAM

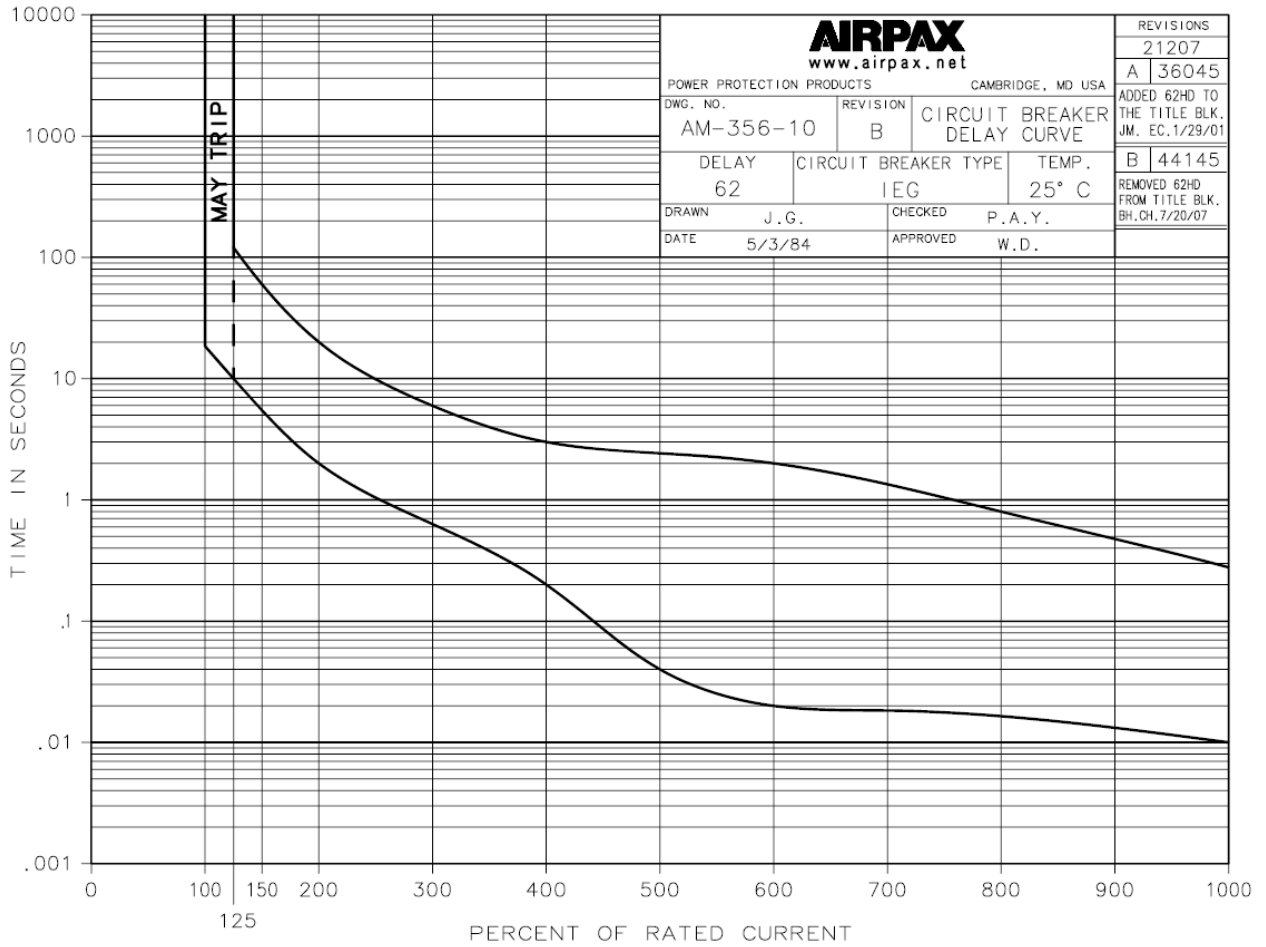


**Technical Specifications / Engineering Submittals**

Raritan Model Number: PX2-4945

rev20170831

**TRIP CURVE**



C-1009-1 5/98 32556

This file generated on: Thu, August 31, 2017 - 20:40:11