



Perle SMI Media Converter Installation Guide



Part# 5500316-16

Introduction

Perle SMI Media Converters come in two different models. The 100/110 and the 1000/1110 Media Converters provide high-speed managed integration of Ethernet to Fiber networks. Whereas, the Perle 10G (gigabit) and 10GT (gigabit with RJ-45 copper) SMI Media Converters provide high-speed managed integration from SFP+ or XFP to SFP+, XFP or an RJ-45 copper interface.

Overview

This guide contains instructions necessary for the installation and operation of the Perle SMI Media Converters. This Media Converter consists of the SMI chassis, a MCR-MGT Management Module and one Media Converter Module.

SMI 100/110 and 1000/1110 Media Converters provide fiber connections of either single mode (SM) or multimode (MM). They can operate over different wavelengths and distances, depending on the model selected (see table below).

SMI 10G/T models provide 10 gigabit speeds with connections of:

- SFP+ to SFP+
- SFP+ to XFP
- XFP to XFP
- SFP+ to copper
- XFP to copper

100/110 Models (xxx)	Connector (cc)	Mode	Distance	Wavelength (TX/RX)
SMI-xxx-M2cc02	SC/ST/LC	MM	2 km / 1.2 mi.	1310 /1310 nm
SMI-xxx-M1SC2U	SC	MM	2 km / 1.2 mi.	1310 /1550 nm
SMI-xxx-M1SC2D	SC	MM	2 km / 1.2 mi.	1550 /1310 nm
SMI-xxx-S2cc20	SC/ST/LC	SM	20 km / 12.4 mi.	1310/1310 nm
SMI-xxx-S1SC20U	SC	SM	20 km / 12.4 mi.	1310/1550 nm
SMI-xxx-S1SC20D	SC	SM	20 km / 12.4 mi.	1550/1310 nm
SMI-xxx-S2cc40	SC/ST/LC	SM	40 km / 24.9 mi.	1310/1310 nm
SMI-xxx-S1SC40U	SC	SM	40 km / 24.9 mi	1310/1550 nm
SMI-xxx-S1SC40D	SC	SM	40 km / 24.9 mi	1550/1310 nm
SMI-xxx-S2cc80	SC/ST/LC	SM	80 km / 49.7 mi	1550/1550 nm
SMI-xxx-S2cc120	SC/ST/LC	SM	120 km / 74.6 mi	1550/1550 nm

1000/1110 Models (xxxx)	Connector (cc)	Mode	Distance	Wavelength (TX/RX)
SMI-xxxx-M2cc05	SC/ST/LC	MM	550 m / 1804 ft.	850/850 nm
SMI-xxxx-M1SC05U	SC	MM	550 m / 1804 ft.	1310/1550 nm
SMI-xxxx-M1SC05D	SC	MM	550 m / 1804 ft.	1550/1310 nm
SMI-xxxx-M2cc2	SC/ST/LC	MM	2 km / 1.2 mi.	1310/1310 nm
SMI-xxxx-S2cc10	SC/ST/LC	SM	10 km / 6.2 mi.	1310/1310 nm

SMI-xxxx-S1SC10U	SC	SM	10 km / 6.2 mi.	1310/1490 nm
SMI-xxxx-S1SC10D	SC	SM	10 km / 6.2 mi.	1490/1310 nm
SMI-xxxx-S1SC20U	SC	SM	20 km / 12.4 mi.	1310/1490 nm
SMI-xxxx-S1SC20D	SC	SM	20 km / 12.4 mi.	1490/1310 nm
SMI-xxxx-S2cc40	SC/ST/LC	SM	40 km / 25 mi.	1310 /1310 nm
SMI-xxxx-S1SC40U	SC	SM	40 km / 25 mi.	1310/1490 nm
SMI-xxxx-S1SC40D	SC	SM	40 km / 25 mi.	1490/1310 nm
SMI-xxxx-S2cc70	SC/ST/LC	SM	70 km / 3.5 mi.	1550/1550 nm
SMI-xxxx-S1SC80U	SC	SM	80 km / 50 mi.	1510/1590 nm
SMI-xxxx-S1SC80D	SC	SM	80 km / 50 mi.	1590/1510 nm
SMI-xxxx-S2cc120	SC/ST/LC	SM	120 km / 74.6 mi.	1550/1550 nm
SMI-xxxx-S1SC120U	SC	SM	120 km / 74.6 mi.	1510/1590 nm
SMI-xxxx-S1SC120D	SC	SM	120 km / 74.6 mi.	1590/1510 nm
SMI-xxxx-S2cc160	SC/ST/LC	SM	160 km / 100 mi.	1550/1550 nm
SMI-xxxx-SFP	SPF	Note 1	Note 1	

10G Models	Port 1	Port 2
SMI-10G-STs	SPF+	SPF+
SMI-10G-XTs	SPF+	XFP
SMI-10G-XTX	XFP	XFP
SMI-10G-XTSH (High Power model)	XFP	SFP+
SMI-10G-XTXH (High Power model)	XFP	XFP

10GT Models	Port 1	Port 2
SMI-10G-GT-SFP	SFP+	RJ-45 (copper)
SMI-10G-GT-XFPH (High Power model)	XFP	RJ-45 (copper)

Note 1: Fiber characteristics will depend on the SFP fiber module selected.

Please visit Perle's web site for the most up to date Installation Guides, Models and Specifications.

<http://www.perle.com/>

Getting to know your SMI Media Converter

Your SMI Media Converter package contains the following items:

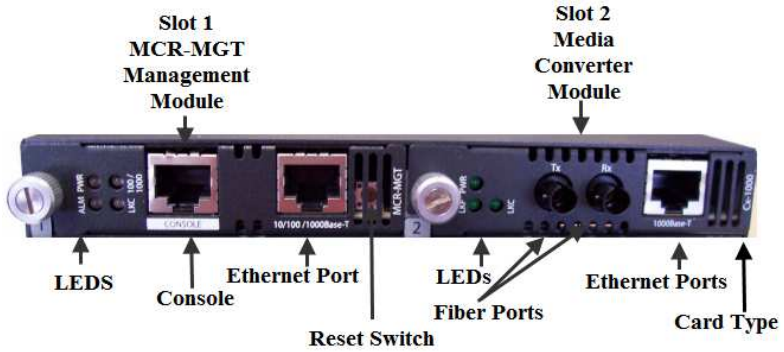
- SMI two slot chassis (single height or double height)
- A MCR-MGT Management card.(See section in this guide for setting up your [MCR-MGT Management Module](#))
- Media Converter module. (See enclosed Media Converter Installation guide for usage and features for your module). Your module type will be printed on the faceplate for the card type you ordered. Features may include Link Mode, Fiber Fault Alerts, Loopback and more

Other Components

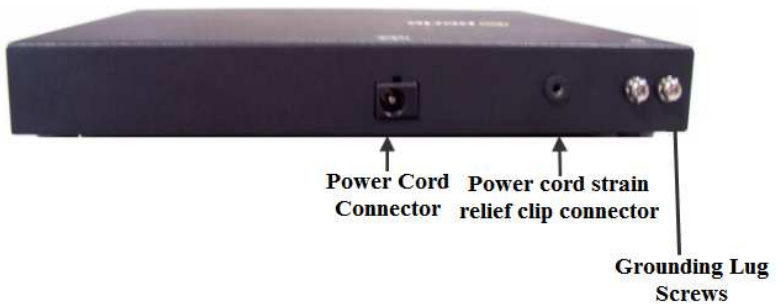
- Grounding screws (for improved chassis grounding)
- Country specific power adapter
- Power cord strain relief clip
- Four rubber feet
- User Installation Guide for your Media Converter Module
- CDROM including firmware for the MCR-MGT Management Module and all Media Modules, MCR-MGT Management module User guide and MCR-MGT Management module CLI guide.
- This guide

Front and Rear Panel Components of Single Height Chassis

Front View

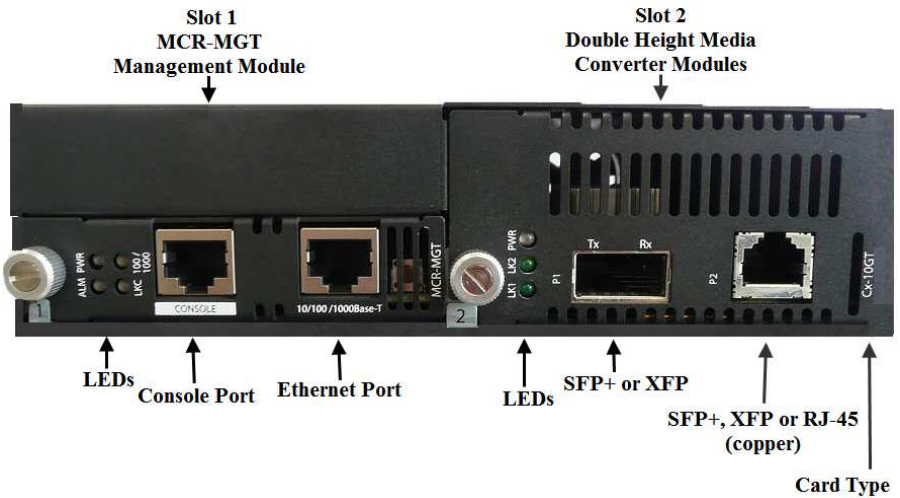


Rear View

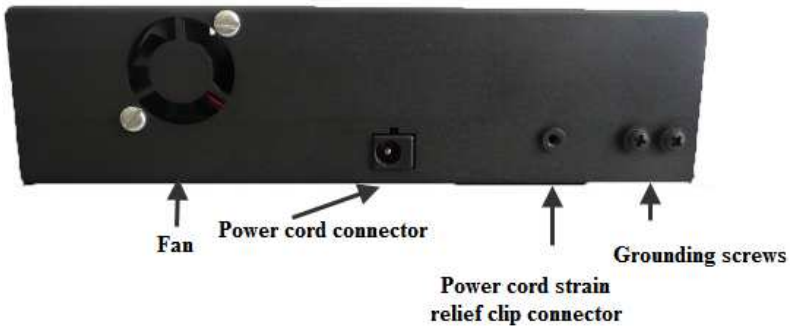


Front and Rear Panel Components of Double Height Chassis

Front View



Rear View



Installation

These are the installation steps required to install an SMI Media Converter.

1. Connect the fiber cable/s.
2. Connect the copper cable/s.
3. Power up the SMI Media Converter. (See Powering up the SMI Media Converter).
4. Both the power led indicator light on the MCR-MGT Management Module and the Media Converter module should be illuminated. (Refer to the product guides that came with your SMI Media Converter for individual LED definitions).

Powering up the SMI Media Converter

Note: The SMI Chassis should always be grounded for safe and proper operation. See [Grounding the SMI Chassis](#)

5. Using the Perle supplied power adapter, plug the power cord into the power cord connector at the rear of the chassis.
6. Plug the other end of the power adapter into an appropriate power outlet.

See the Media Converter Module guide that came with your SMI Media Converter to access media converter module features such as:

- LEDs
- DIP switch settings
- Jumper settings

Adding or Removing Modules:

The Media Converter Module comes installed in the MCR200 chassis, however they can be removed for setting jumpers, DIP switches or should the modules need to be serviced.

Caution: *Observe electrostatic discharge precautions when installing or removing the Module(s) from the Chassis. Failure to observe this caution could result in damage to the Module(s) and/or chassis.*

1. Loosen the Captive retainer screw on the front of the module.
2. Gently pull the module towards you.
3. Set any jumpers and/or DIP switches on the Module to the desired operating mode. (Refer to the product guides that came with your SMI Media Converter).
4. Gently slide the module back into the slot until it becomes flush with the front of the chassis. Light pressure may be needed to seat the module. Do not force the module as you might damage it. If there is resistance, remove the module and check the module's backplane connector for damage to the pins. If the module's backplane connector is not damaged, try to reinsert the module again
5. Tighten the Captive retainer screw to ensure the module is locked in place.



**Captive
retainer screw**

Grounding the SMI Chassis (Optional)

If your installation requires additional grounding the following procedure can be followed.

Grounding the chassis requires the following items:

- One grounding lug (not provided)
- One 18 - 12 AWG wire (not provided)
- Cross-head screwdriver (not provided)

Note: For your safety, when installing this equipment, always ensure that the chassis ground connection is installed first and disconnected last.

Attaching the Grounding Lug



1. Attach the grounding lug to one end of an 18-12 AWG wire.
2. Attach the grounding lug to the chassis and secure with the grounding screw(s).

Attaching the Power Cord Strain Relief Clip



1. Feed the power cord through the opening in the power cord relief clip.

2. Attach the power cord relief clip to the chassis and secure with the provided screw.
3. Plug the power cord into the AC power connector at the rear of the chassis.
4. Plug the other end of the power cord into an appropriate power outlet.

MCR-MGT Management Module

Your SMI Media Converter comes with a powerful MCR-MGT Management Module that allows you to configure, monitor and control your SMI Media Converter.

Features

- Management access through AAA security such as RADIUS, TACACS+, LDAP, Kerberos and NIS.
- IPv4 and IPv6 network environments.
- Central management and configuration through SNMPv3 as well as SNMPv1/2.
- Management module access via Browser, Telnet or SSH over 10/100/1000 Mbps Ethernet.
- Cisco pin-compatible RJ-45 console port on Management module for easy cabling connections.
- Local Event logging and Syslog
- Quickly restore manufacturing configuration settings.

Making Connections to the Management Module

Connecting To The LAN

Depending on the speed at which you plan to operate your Ethernet connection, locate compliant copper cables with male, RJ-45 connectors installed at both ends.

Connect the RJ-45 cable between the MCR-MGT Ethernet port and the hub or switch port which will connect the module to your Ethernet LAN.

***Note:** The MCR-MGT module supports Auto MDI/MDIX detection which allows for the use of a straight-through or cross-over Ethernet cable.*

Connecting To The Console Port

This is a serial connection. It will allow you to connect a terminal or PC with terminal emulation software to the console port of the Management module.

The following is the cable pinout required to connect the console port to a DB-9 port on the PC.

PC	MCR-MGT Management Module
DB9 serial	RJ-45 Console Port
8 (CTS)	1 (RTS)
6 (DSR)	2 (DTR)
2 (RxD)	3 (TxD)
5 (GND)	5 (GND)
3 (TxD)	6 (RxD)
4 (DTR)	7 (DSR)
7 (RTS)	8 (CTS)

Alternately, you can purchase the following two parts from Perle Systems Limited.

- 3ft RJ-45 straight through cable. Part #:04005120
- RJ-45 to DB9F-DTE (console adapter). Part #:04007040

Configuring the Management-MGT Module

There are a number of methods which may be used to configure the MCR-MGT management module:

- Command Line or Menu interface via a direct serial connection to the console port
- Command Line or Menu interface via Telnet or SSH to module
- SNMP
- Web Browser (HTTP or HTTPS)

All of the above methods require you to configure an IP address on the management card to be able to connect and configure the module except for the direct serial connection which you can connect directly to the console port. The management module is pre-configured with an IP address of 10.0.0.10 with a subnet mask of 255.0.0.0. If the PC that you are using does not reside on this subnet, you will need to modify either the IP address of the MCR-MGT management module (using a direct serial connection to the Management module) or the pc's IP address in order to connect and configure the Management module.

The following are two methods in which to set the IP address of the MCR-MGT Management module.

Perle SetIP Utility

On the CD provided with the MCR-MGT module, you will find an executable called "Perle SetIP". You can run it directly from the CD or copy it to your local PC drive and execute it from there.

When the program runs, you can do the following;

1. From the list of devices displayed, click on the MCR-MGT module you wish to set the IP address on and then click on the "Assign IP" button at the top of the screen.

Please note that this operation will only be valid on MCR-MGT modules which are in a “factory default” state.

2. To manually assign the IP address, click on “Assign IP manually”, key in the desired IP address and press the “Assign IP” button. If a DHCP server is available on this subnet, you can choose to have the module obtain its IP address via your DHCP server by clicking on the “Assign IP using DHCP” button and then pressing the “Assign IP” button.
3. For modules which have been assigned IP address, you can click on the “manage” button on the top of the screen to launch a web browser session with the selected MCR-MGT module. You can achieve the same result by manually launching your web browser and entering the IP address of the module in the web browsers address field.
4. You can also use Telnet, SSH or SNMP to configure the module.

Serial Console Port

Using the proper cable connector, connect the Management module to the serial port on your PC. Perle Systems has available for purchase an RJ-45 to DB9F-DTE console adapter (part #04007040) which can be used in conjunction with an RJ-45 patch cable (part #04005120) to connect your PC’s serial port to the Management module’s console port.

Set the communication parameters on your PC’s terminal emulation program to 9600,8,n,1.

1. Press **[Enter]**. The management module prompt will appear.
2. Type set server internet <IPv4 address>netmask <mask>**[Enter]**

Example:

```
set server internet 196.12.10.9 netmask  
255.255.255.0[Enter]
```

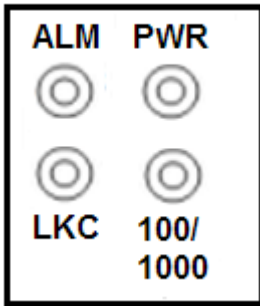
1. Type save **[Enter]**
2. When prompted “Save config to flash ROM y/n” **[Enter]**
3. Type reboot **[Enter]**
4. When prompted “Confirm reboot unit y/n **[Enter]**”
5. When the Management module reboots, the IP address you entered will be active. You can now use your favourite web browser to configure the module. Simply enter the IP address in the web browsers address field and press **[Enter]**.
6. You can also use Telnet, SSH or SNMP to configure the Management module.

Resetting the MCR-MGT Management Module To Factory Default Settings

If it becomes necessary to return the Management module to the factory default settings, press and hold the “RESET” button on the front of the module for 3 seconds (you can use a paper clip to do this). This will return the configuration to the factory default settings and will force the module to reboot.

LED Status for the Management Module

The MCR-MGT module has four status LEDs, which are used to monitor the operational status of the MCR-MGT Module in the network and the status of the MCR200 Chassis.



ALM - Alarm

Off - No faults detected.

Red - A severe or critical level fault has been detected in the system.

PWR - Power

Green - Power is on and the module is in normal operation mode.

Green blinking - The MCR-MGT Module is initializing. The bootup should complete within 1 minute, at which time the PWR LED should go solid green.

Off - The MCR-MGT module has no power.

Red - Unrecoverable hardware error on MCR-MGT module.

LKC - Copper –Link/Activity

On - Copper link is up.

Off - Copper link is down.

Blinking (quickly) - Copper link is up and is sending or receiving data.

100/1000

Green - The Ethernet speed on the management module is detected at 1000 Mbps (Gigabit).

Yellow - The Ethernet speed on the management module is detected at 100 Mbps.

Off - The Ethernet speed on the management module is detected at 10 Mbps

Troubleshooting

General

- Ensure power is supplied to the Media Converter – use of the supplied power adapter is highly recommended.
- Ensure that the Media Converter Module and MCR-MGT Management Module are securely seated in the chassis [See Adding or Removing Modules.](#)
- Ensure both devices on either end of the fiber are compatible. If using a simplex fiber connection, ensure that you have both an Upstream (U) and Downstream (D) Media Converter.
- Ensure all cabling is of the correct type and is in good working order.
- For duplex fiber connections, ensure the RX and TX has been reversed between the two Media Converters.
- If you are using a 10GT module ensure that you are using Cat 6A or ISO Class (SRM) copper cabling.

No connectivity

Refer to the media converter guide that came with your SMI Media Converter.

Loopback Mode

The fiber connection can also be verified by configuring the SMI Media Converter for loopback mode. Refer to the Media converter guide that came with your SMI Media Converter for DIP switch setup.

MCR-MGT “PWR” LED is OFF

- Ensure that the management module is inserted into the chassis correctly. [See Adding or Removing Modules.](#)

Ensure that the MCR Chassis is connected to an external power source.

MCR-MGT “PWR” LED is RED

The MCR-MGT module is defective. It will need to be replaced.

MCR-MGT “PWR” LED is Blinking Green

The MCR-MGT module is in the process of booting up. If this state persists for longer than one minute, reset the module by momentarily pressing the reset switch on the front of the module.

Cannot connect serially to MCR-MGT Module

1. Make sure that the PWR LED is “Green”
2. Ensure that you are using the right cable/adaptor.
3. If you see garbage characters, the baud rate of the serial port may have been changed from the original 9600 baud. Configure your terminal emulation to match configured speed.
4. If you don't know what the speed is, you could reset the module to “factory default” by pressing and holding the reset switch (3 seconds) on the front of the MCR-MGT module. **NOTE:** this will erase the entire configuration back to a factory default state.

Cannot connect to MCR-MGT Module using an IP address

1. Make sure that the PWR LED is “Green”
2. Make sure that the LKC LED is “Green”. (Copper link connection is up).
3. Make sure you are using the IP address which is configured on the MCR-MGT module.
4. If you don't know what the IP address is, you can use the “SetIP” utility provided on the CD to display the IP address of all units on your LAN segment.

Technical Specifications for the SMI Media Converter

Model	Max Power Consumption	Current (@ 12 V DC)
SMI-1000	4.98* watts	0.42 amps
SMI-1000-SFP	4.98* watts	0.42 amps
SMI-1110	4.1* watts	0.34 amps
SMI-1110-SFP	4.1* watts	0.34 amps
SMI-100	3.98* watts	0.33 amps
SMI-110	4.1* watts	0.34 amps
SMI-10G-STS	9.7* watts	.80 amps
SMI-10G-XTS	12* watts	1 amp
SMI-10G-XTX	15* watts	1.25 amps
SMI-10G-XTSH	19.3* watts	1.6 amps
SMI-10G-XTXH	19.3* watts	1.6 amps
SMI-10GT-SFP	13* watts	1.08 amps
SMI-10GT-XFPH	18* watts	1.5 amps
SMI-4GPT-DSFP	6.5* watts	.54 amps
Operating Temperature	0°C - 50°C (32°F - 122°F)	
Storage Temperature	-25°C - 70°C (-13°F - 158°F)	
Operating Temperature (High Power models)	-40°C - 75°C (-40°F - 167°F)	
Storage Temperature	-45°C - 80°C (-49°F - 176°F)	

(High Power models)	
Operating Humidity	5% to 90% non-condensing
Storage Humidity	5% to 95% non-condensing
Operating Altitude	Up to 3,048 m (10,000 ft)

* Actual rating is dependent on the power consumption of the SFP+/XFP modules inserted.

Ethernet Copper Cabling

- Cat 6A
- Straight through or Ethernet crossover

Console Port Cabling Requirements

Pin 1 Pin 8



Pinout	Console Port
1	RTS (out)
2	DTR (out)
3	TxD (out)
4	GND
5	GND
6	RxD
7	DSR (in)
8	CTS (in)

Note: Please refer to the product page on the Perle website for the most up to date specifications. <http://www.perle.com/>

Compliance Information

FCC

This product has been found to comply with the limits for a Class A digital device, pursuant to Part 15 of the FCC rules. These limits are designed to provide reasonable protection against harmful interference when the equipment is operated in a commercial environment. This equipment generates, uses, and can radiate radio frequency energy and, if not installed and used in accordance with the instructions in this Guide, may cause harmful interference to radio communications. Operation of this equipment in a residential area is likely to cause harmful interference, in which case the user will be required to correct the interference at his/her own expense.

EN 55022 Class A

WARNING This is a Class A product. In a domestic environment this product may cause radio interference in which case the user may be required to take adequate measures.

EN 55024 Class A

Laser Safety – IEC 60825-1:2007

This product meets Class I Laser safety requirements per IEC-60825-1:2007 standard and complies with FDA/CDRH 21 CFR1040.10 and 21 CFR1040.11.

WARNING: Visible and invisible laser radiation may be present when cables are not connected. Do not stare into the beam or view the beam directly with optical instruments. Failure to observe this warning could result in an eye injury or blindness.

WARNING: Use of controls, adjustments or the performance of procedures other than those specified herein may result in hazardous radiation exposure.

Warranty / Registration

Perle's Systems Ltd. standard Lifetime Warranty provides customers with return to factory repairs for Perle products that fail under the conditions of the warranty coverage.

Details can be found at:

http://www.perle.com/support_services/warranty.shtml

Contacting Technical Support

Contact information for the Perle Technical Assistance Center (PTAC) can be found at the link below. A Technical Support Query may be made via this web page.

www.perle.com/support_services/support_request.shtml

Copyright

© 2014 Perle Systems Limited

All rights reserved. No part of this document may be reproduced or used in any form without written permission from Perle Systems.