



FEATURES

- 10.4" TFT SVGA 4:3 LCD with Resistive 5-wire / Capacitive Touch
- -10°C to 60°C extended operating temperature
- Designed with Aluminum Die-Casting Front Frame
- IP65 Compliant Front Panel
- Two 2W or 5W Internal Speakers Built-in
- Multi-language OSD built-in

Display

LCD Size	10.4" (4:3)
Max. Resolution	800 x 600 (SVGA)
Brightness (cd/m2)	400
Contrast Ratio	700:1
LCD Color	16.2M
Pixel Pitch (mm)	0.264 (H) x 0.264 (V)
Viewing Angle (H-V)	160 / 130
Backlight MTBF	50000 hrs (LED Backlight)

Touch

Resistive 5-wire	VIO-110R and VIO-110R-11 only
Projected Capacitive	VIO-110C and VIO-110C-11 only

I/O

Internal Speaker	VIO-110: AMP 5W + 5W VIO-110-11: AMP 2W + 2W
OSD	LCD On/Off, Auto, Menu, Up and Down Multi-language

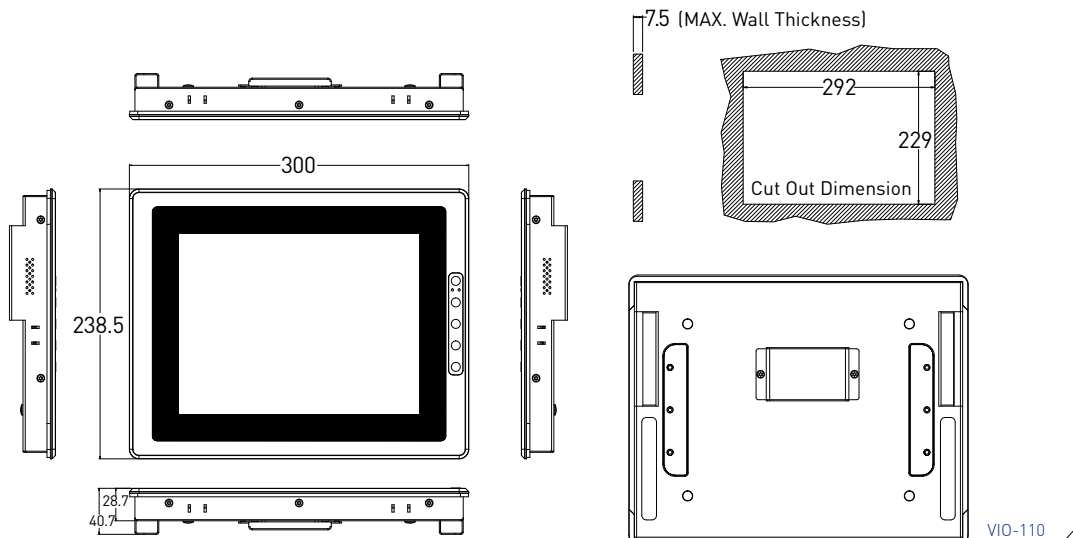
Environment

Operating Temp.	-10°C to 60°C
Storage Temp.	-20°C to 70°C
Relative Humidity	10%~80% (non-condensing)
IP Level	IP 65 Compliant Front Panel

Physical

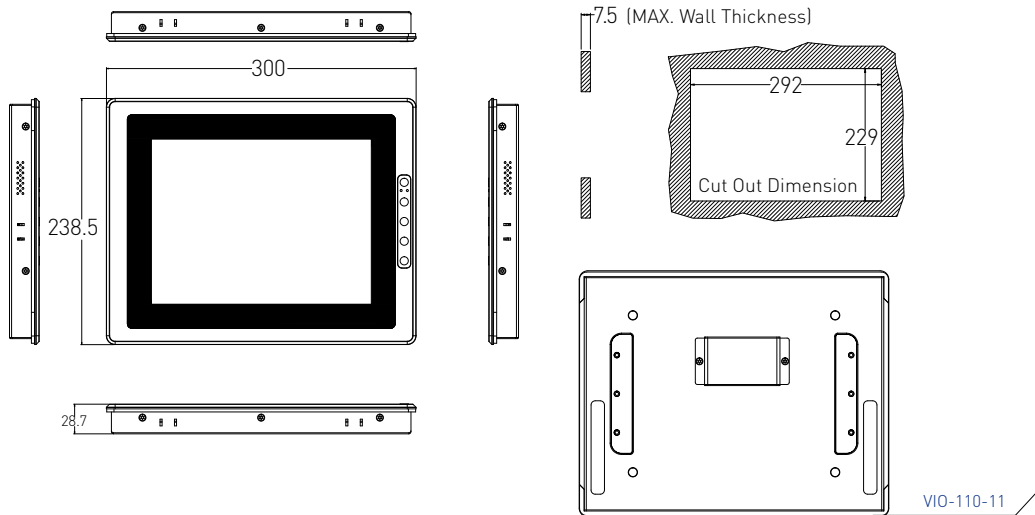
Front Panel Construction	Die-cast Flat Surface
Dimension	VIO-110: 300 (W) x 238.5 (D) x 40.7 (H)mm VIO-110-11: 300 (W) x 238.5 (D) x 28.7 (H) mm
Weight	VIO-110R: 2.43kg VIO-110C: 2.36kg VIO-110R-11: TBC VIO-110C-11: TBC
Mounting	VESA Mounting Holes 75 x 75mm, 100 x 100mm

DIMENSION
Unit: mm



DIMENSION

Unit: mm



ORDERING INFORMATION

PACKING LIST

- 1x VIO-110 Series Display Module
- 6x Panel Mount Kit

AVAILABLE MODELS

MODEL	MODEL NO.	DESCRIPTION
VIO-110	VIO-110R	10.4" SVGA Resistive Touch Display Module with 2x 5W Speaker
	VIO-110C	10.4" SVGA Capacitive Touch Display Module with 2x 5W Speaker
	VIO-110R-11	10.4" SVGA Resistive Touch Display Module with 2x 2W Speaker
	VIO-110C-11	10.4" SVGA Capacitive Touch Display Module with 2x 2W Speaker