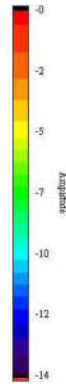
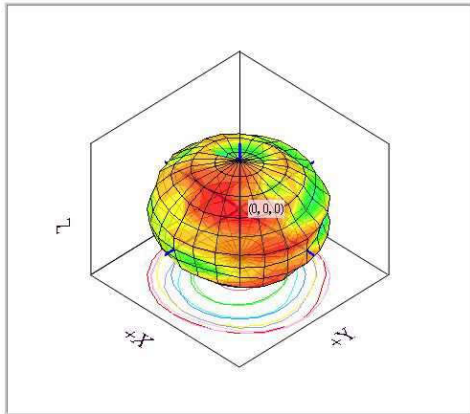
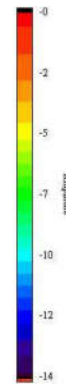
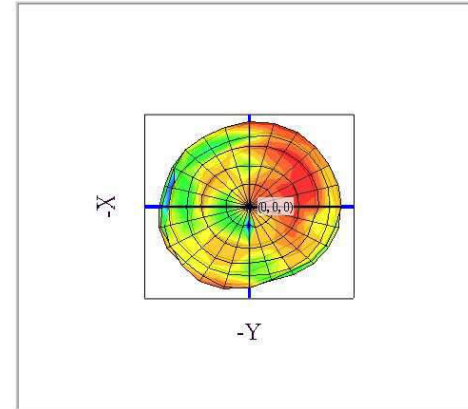


# 704MHz Radiating Pattern

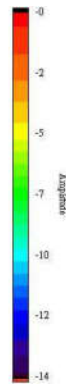
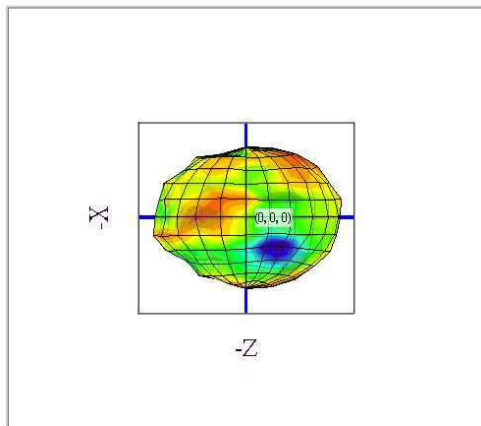
userdefine



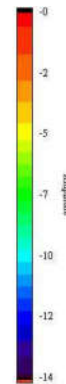
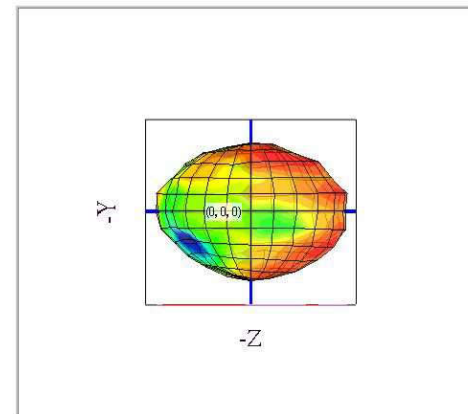
xy



xz

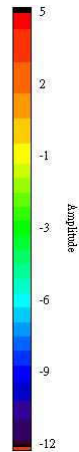
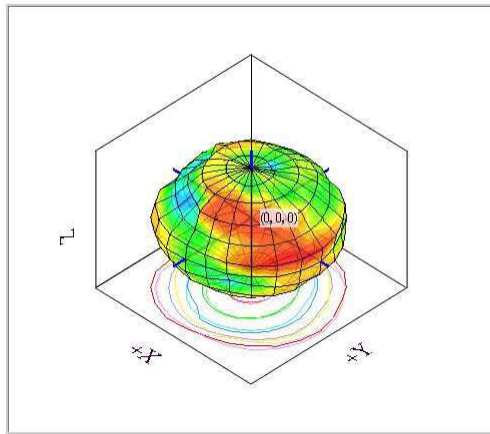


yz

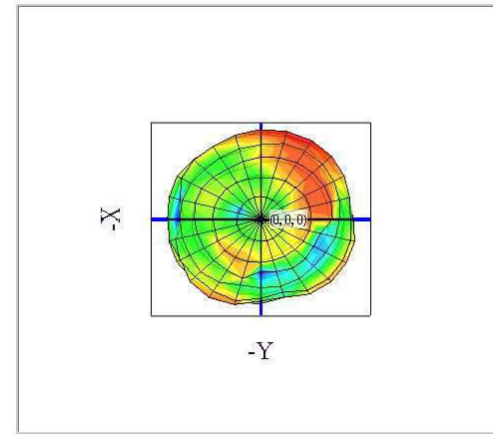


# 734MHz Radiating Pattern

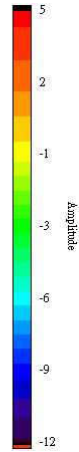
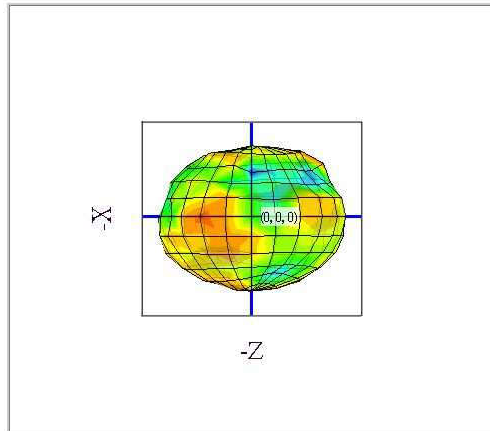
userdefine



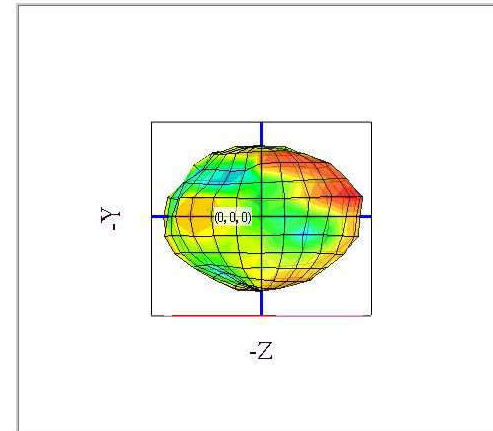
xy



xz

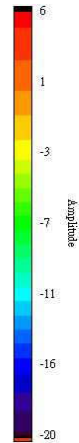
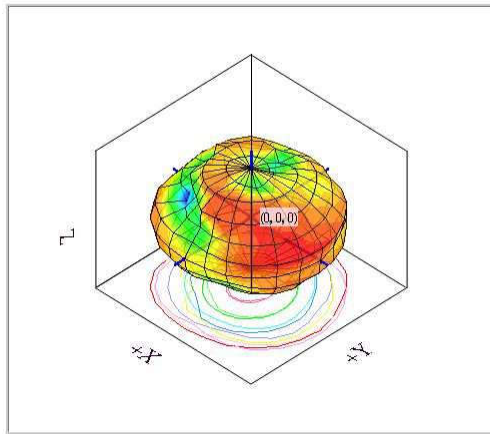


yz

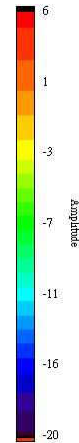
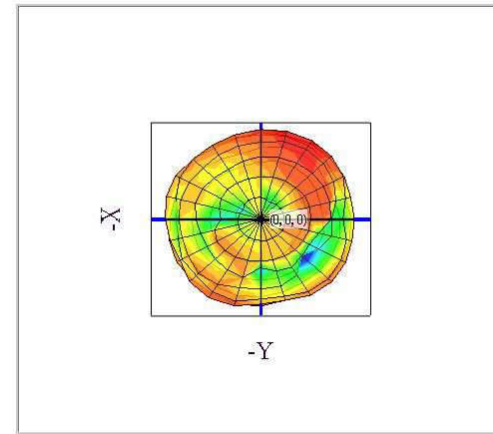


# 756MHz Radiating Pattern

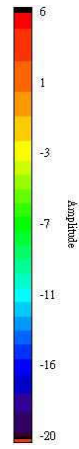
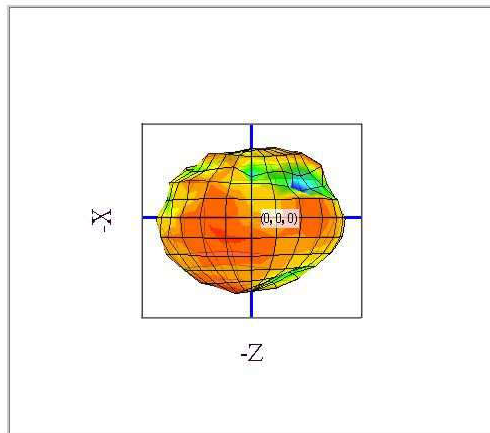
userdefine



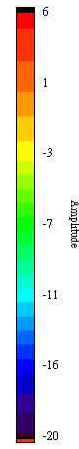
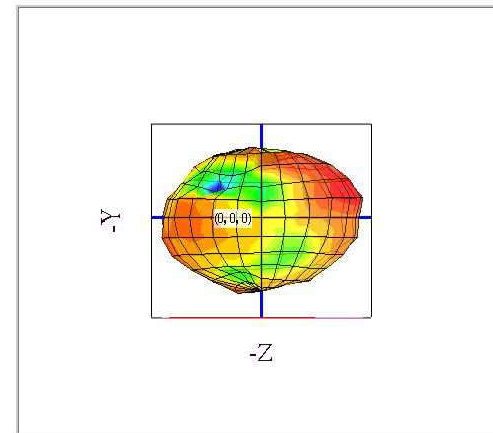
xy



xz

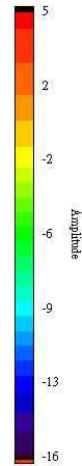
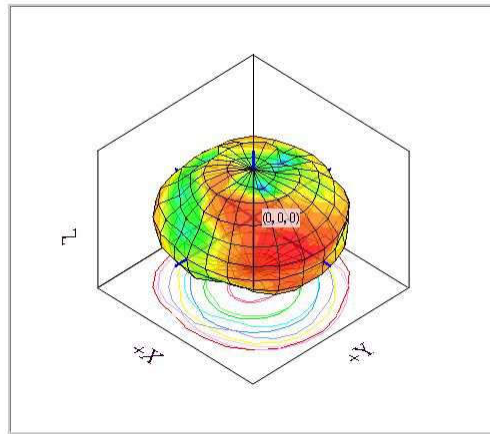


yz

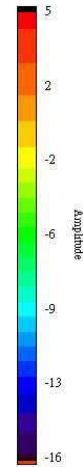
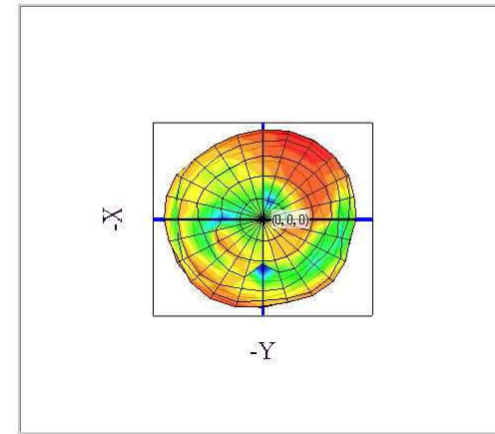


# 768MHz Radiating Pattern

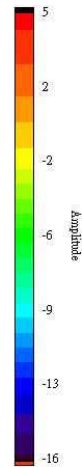
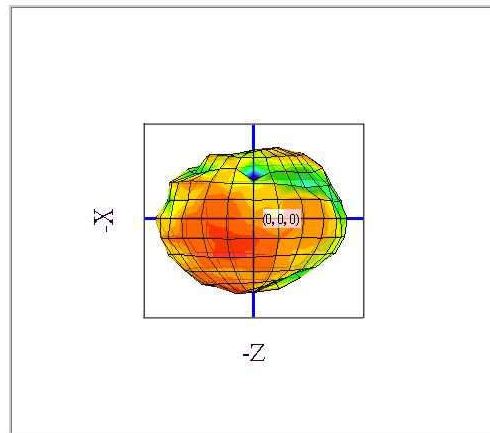
userdefine



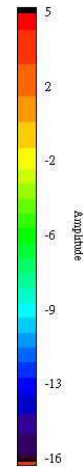
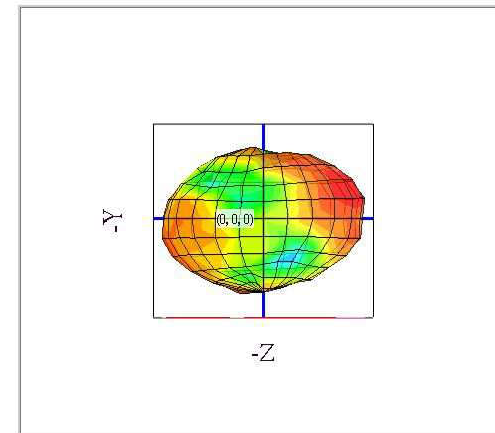
xy



xz

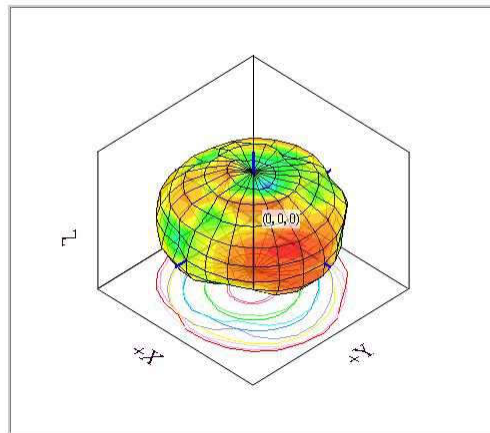


yz

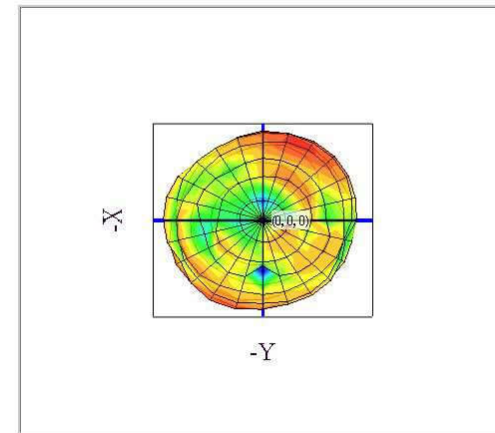


# 787MHz Radiating Pattern

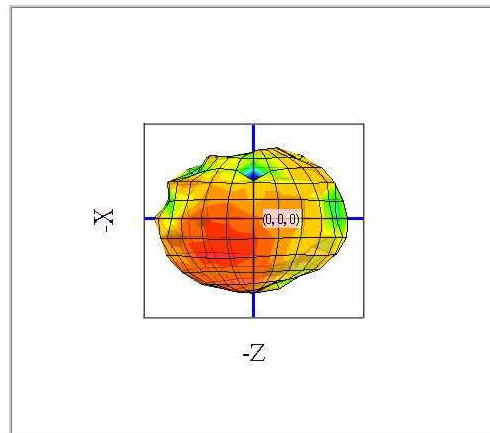
userdefine



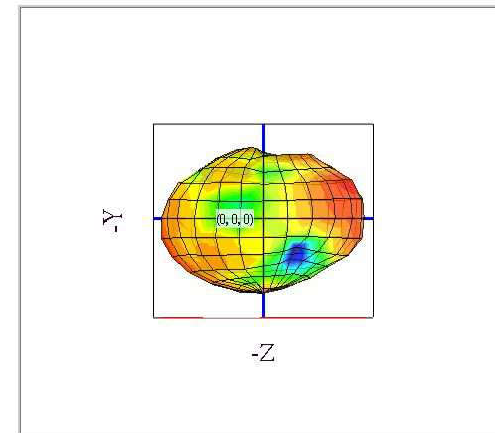
xy



xz

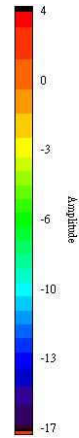
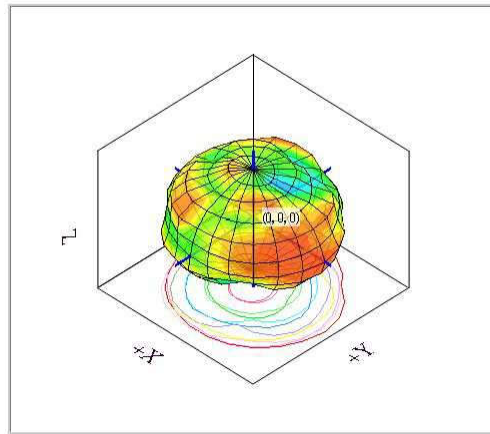


yz

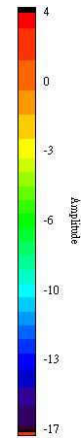
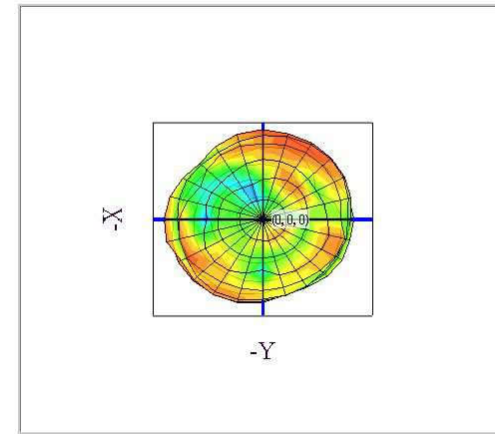


# 824MHz Radiating Pattern

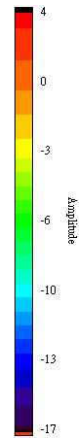
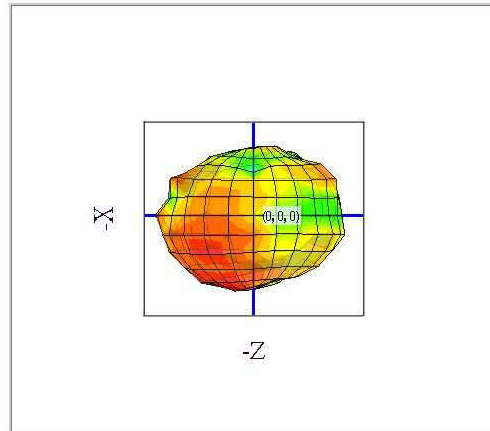
userdefine



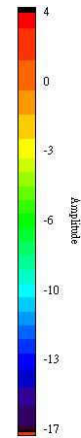
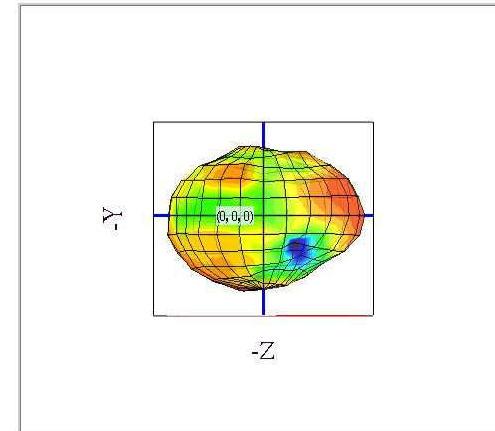
xy



xz

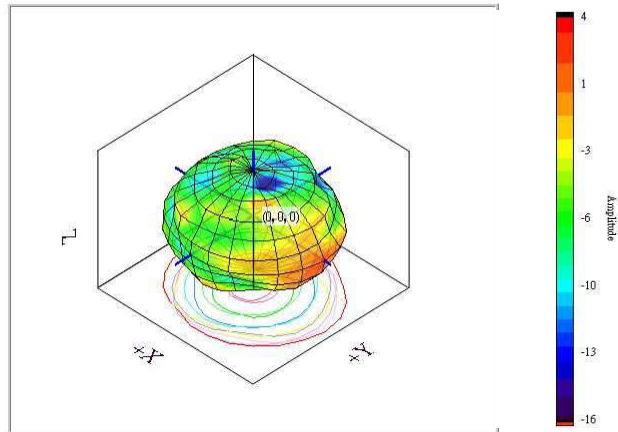


yz

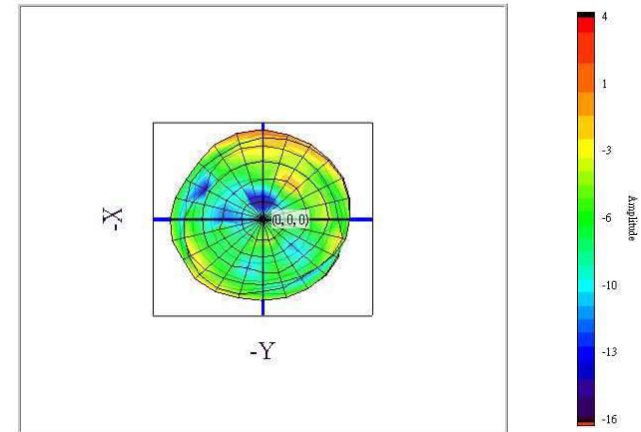


# 868MHz Radiating Pattern

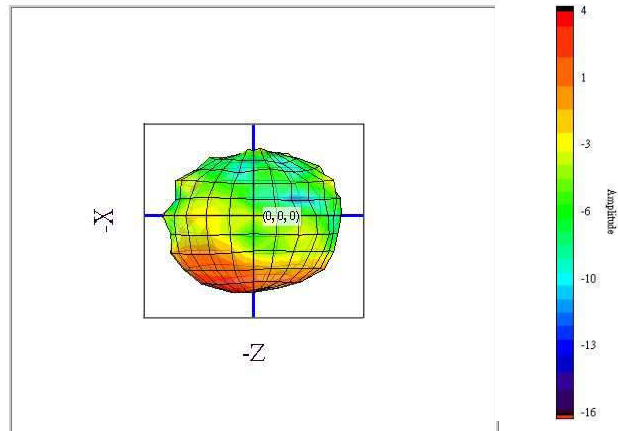
userdefine



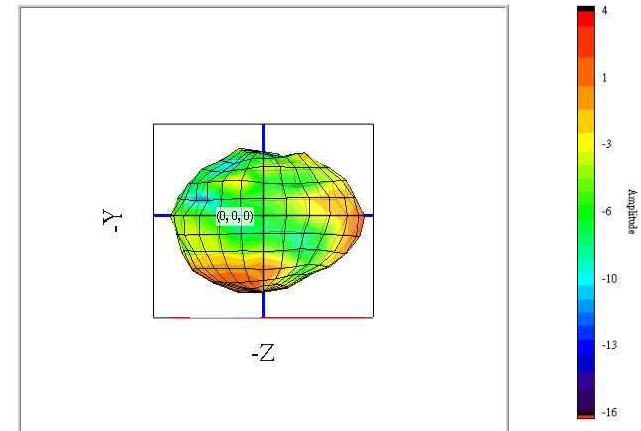
xy



xz

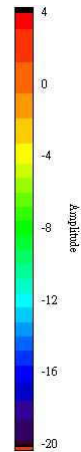
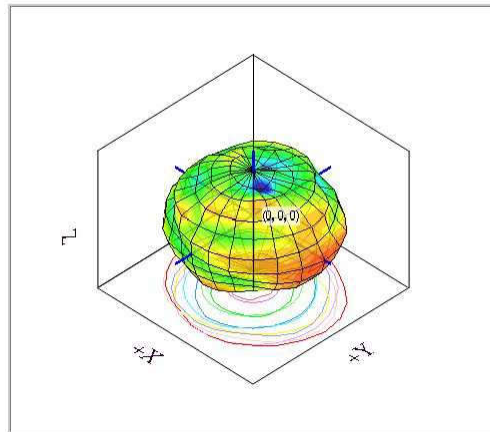


yz

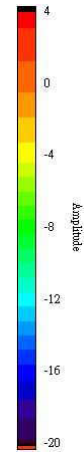
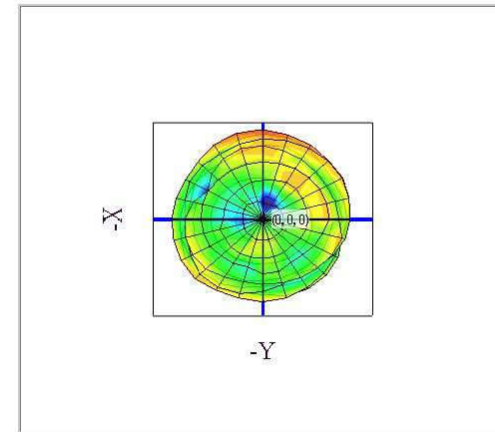


# 880MHz Radiating Pattern

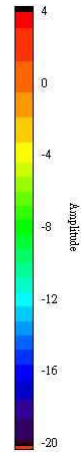
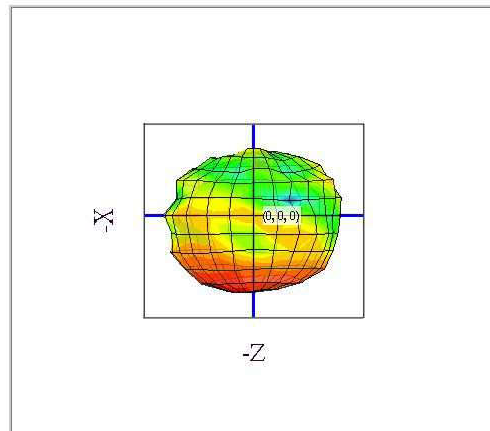
userdefine



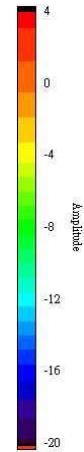
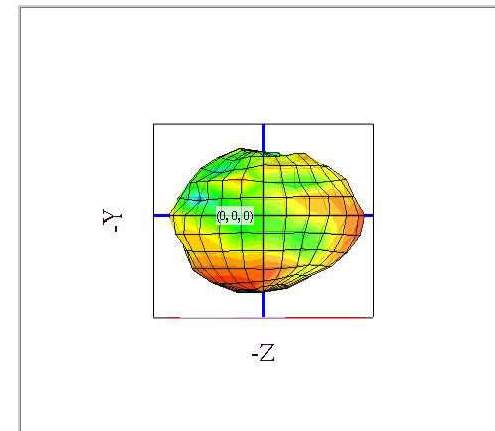
xy



xz



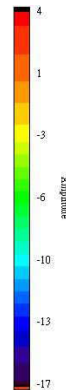
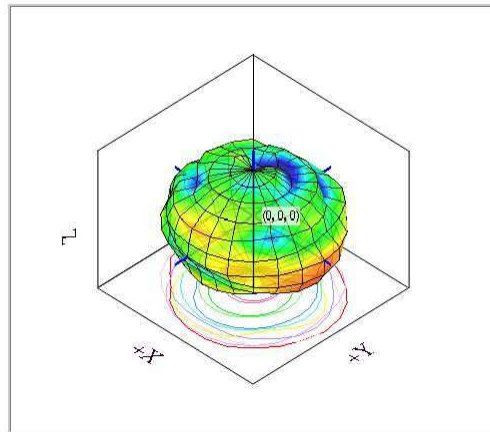
yz



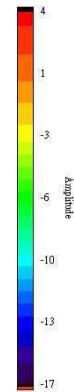
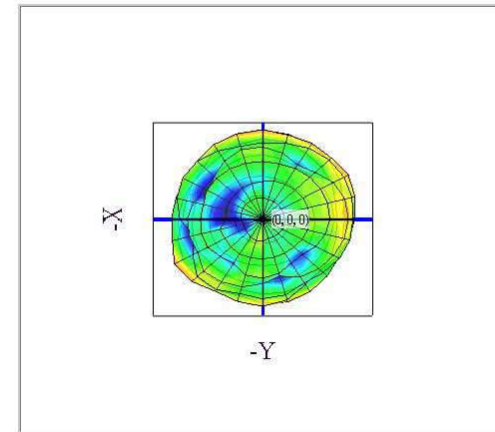


# 915MHz Radiating Pattern

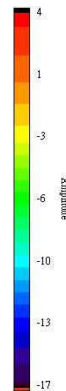
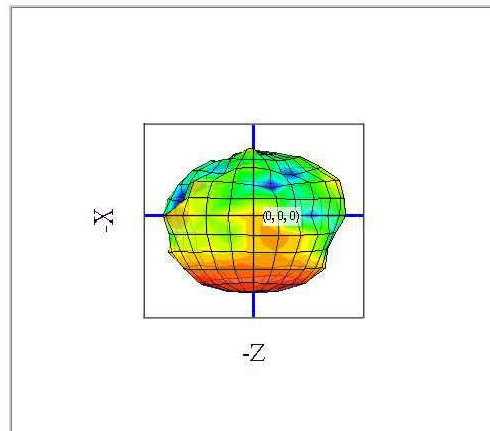
userdefine



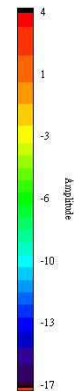
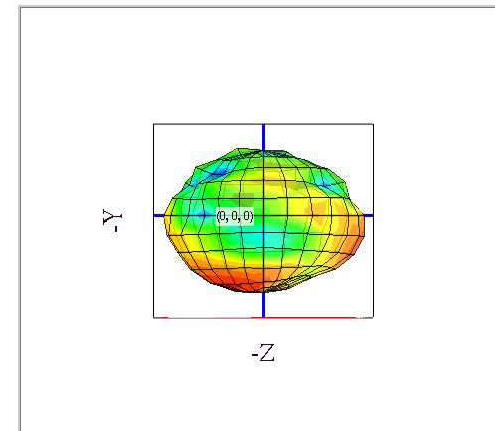
xy



xz

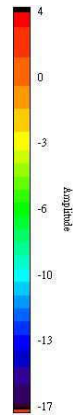
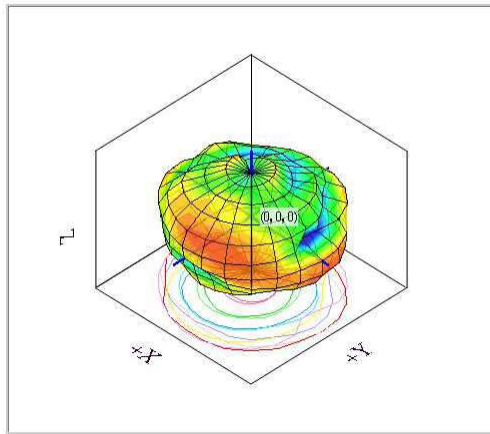


yz

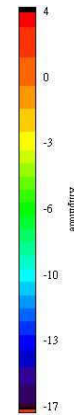
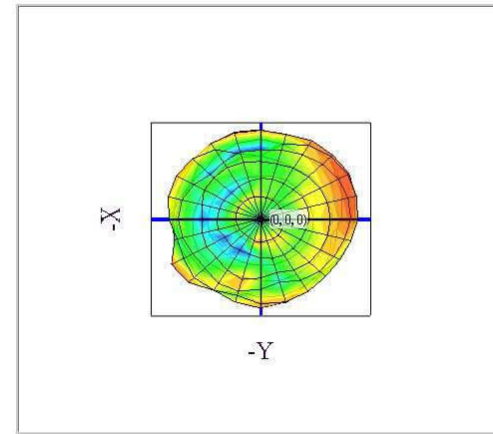


# 960MHz Radiating Pattern

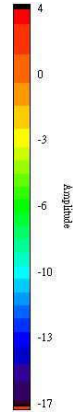
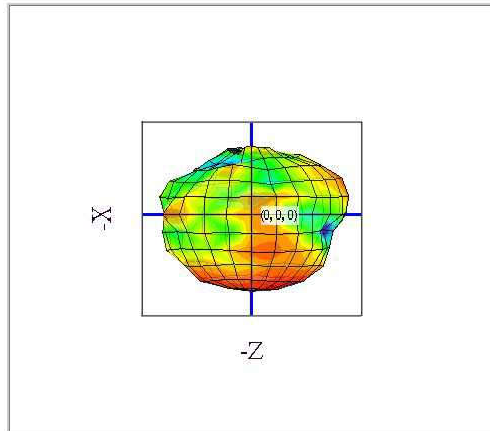
userdefine



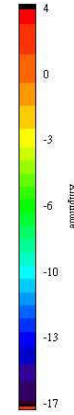
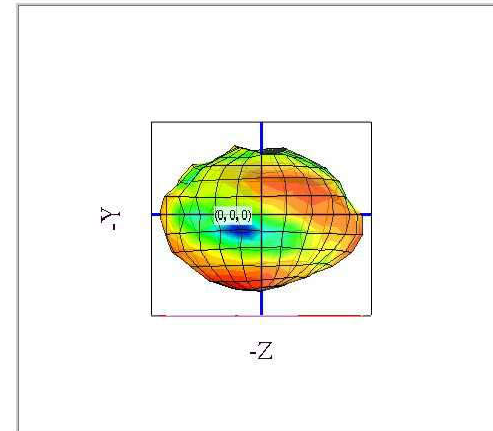
xy



xz

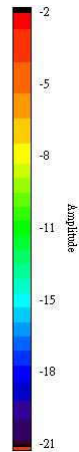
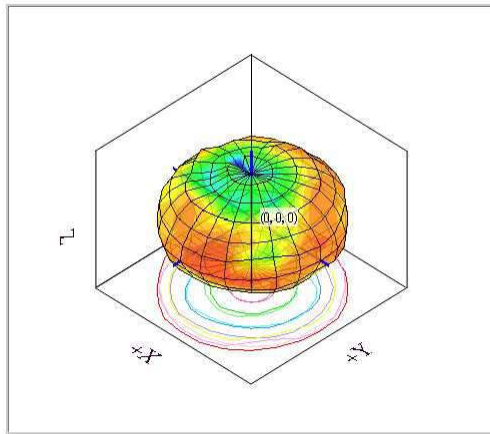


yz

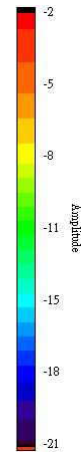
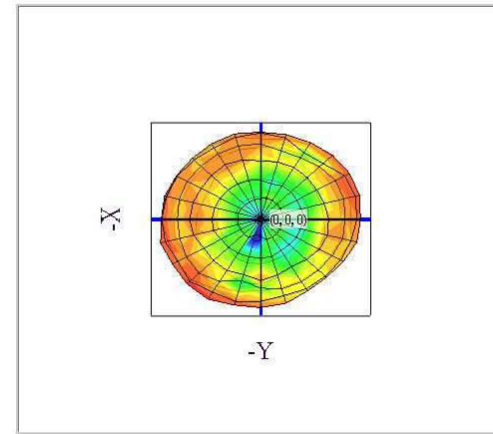


# 1710MHz Radiating Pattern

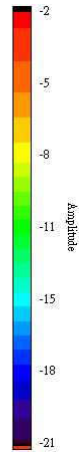
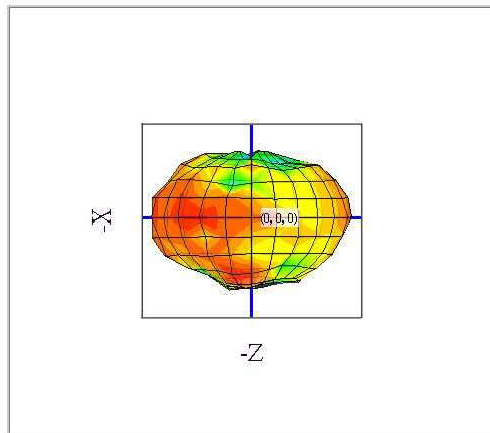
userdefine



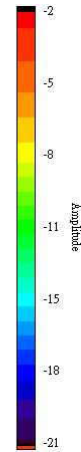
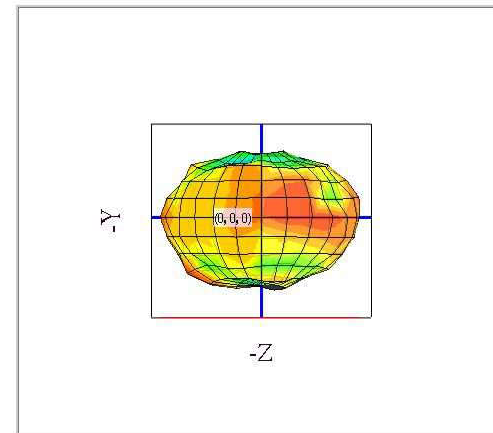
xy



xz

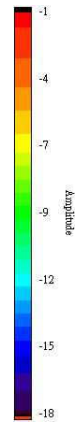
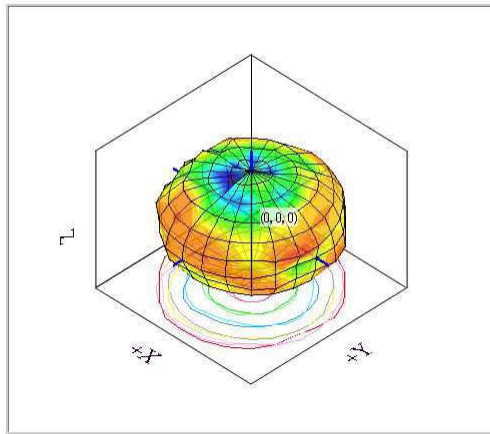


yz

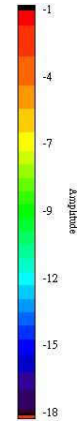
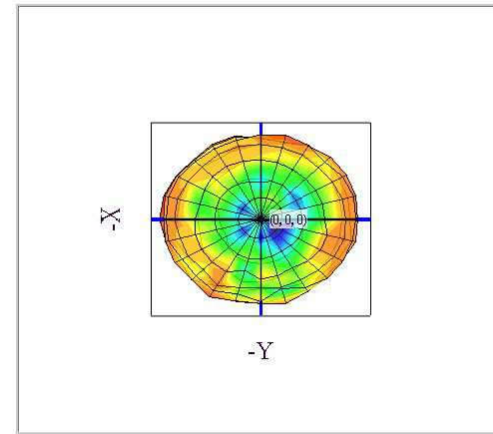


# 1785MHz Radiating Pattern

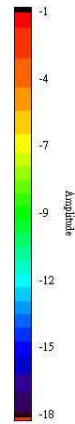
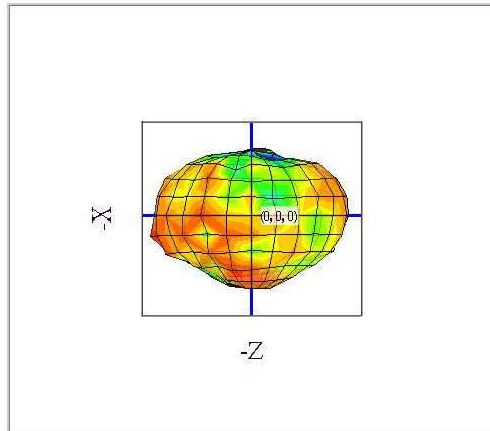
userdefine



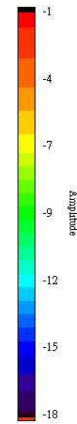
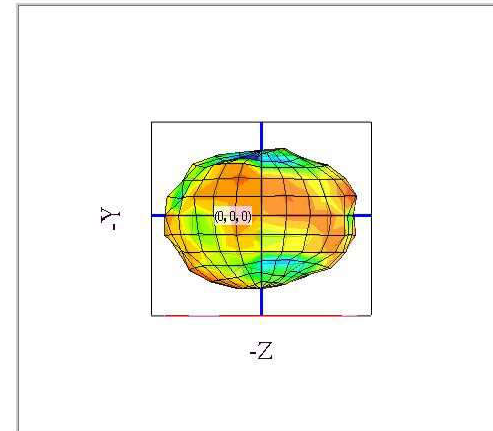
xy



xz

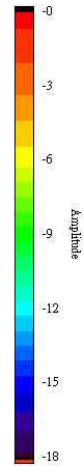
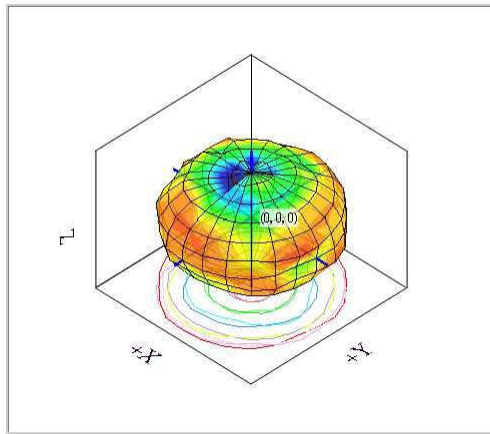


yz

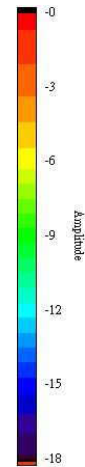
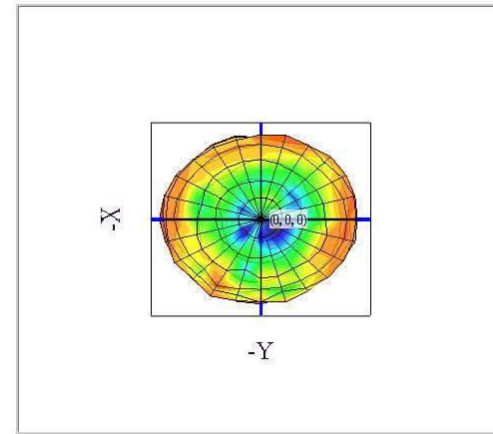


# 1805MHz Radiating Pattern

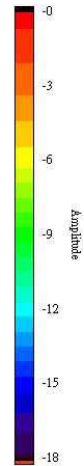
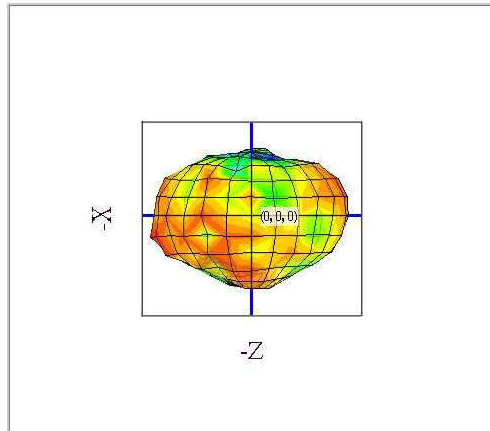
userdefine



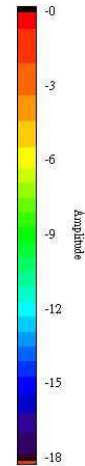
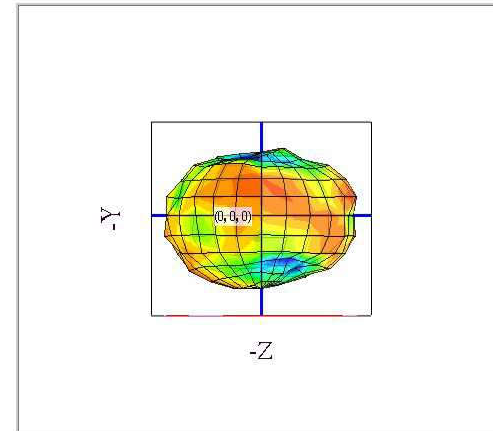
xy



xz

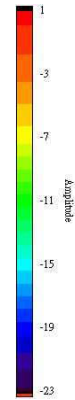
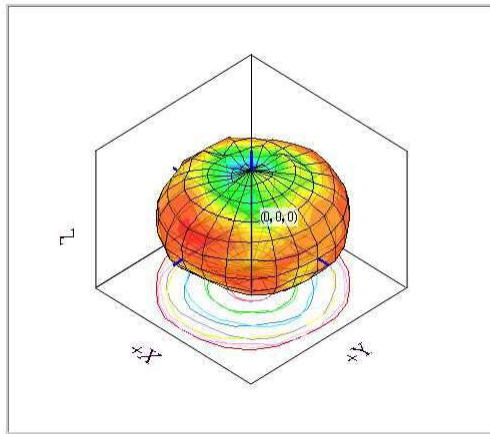


yz

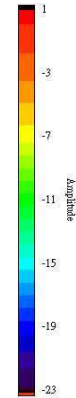
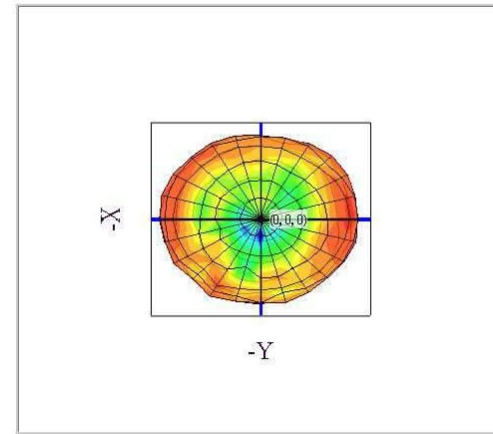


# 1850MHz Radiating Pattern

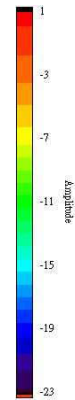
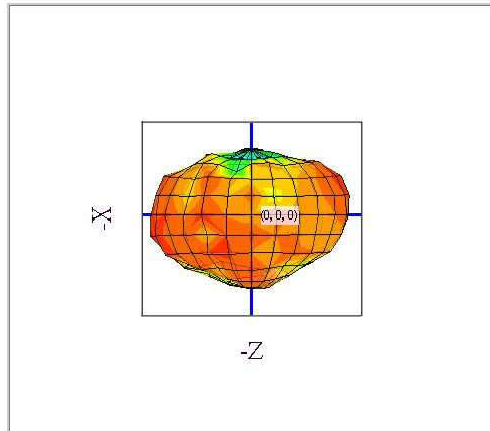
userdefine



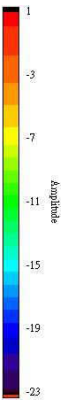
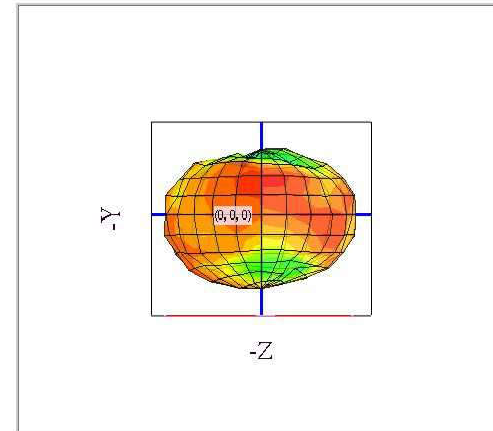
xy



xz

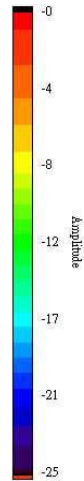
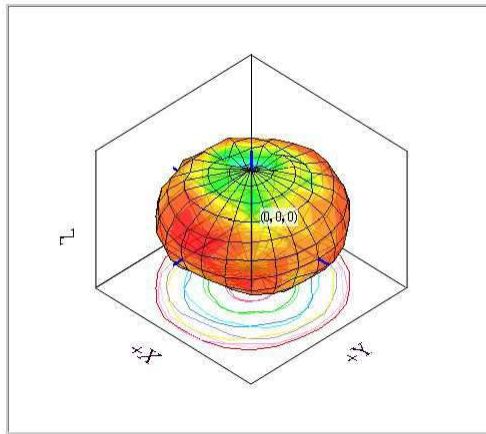


yz

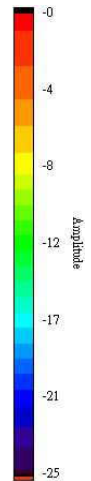
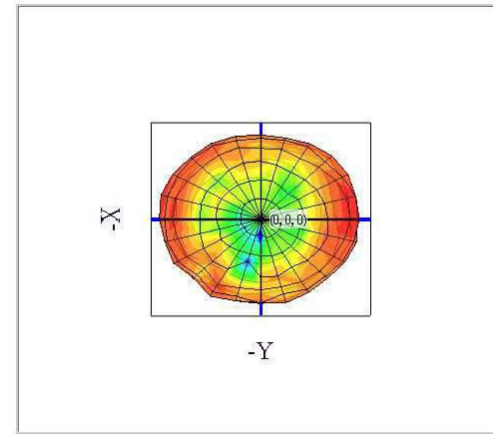


# 1880MHz Radiating Pattern

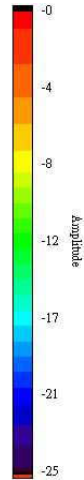
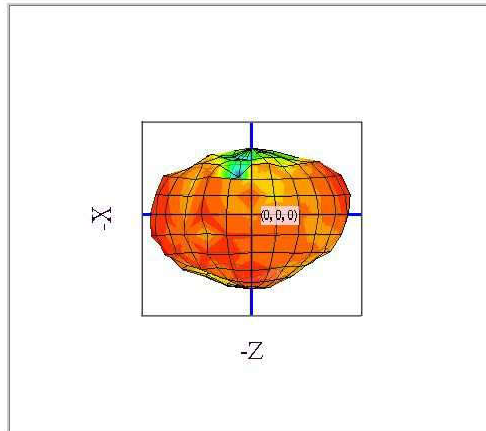
userdefine



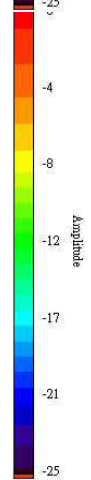
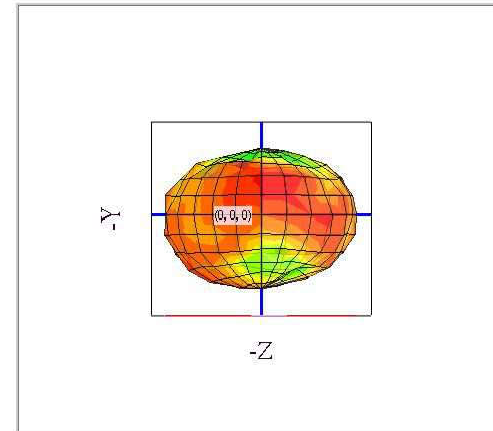
xy



xz

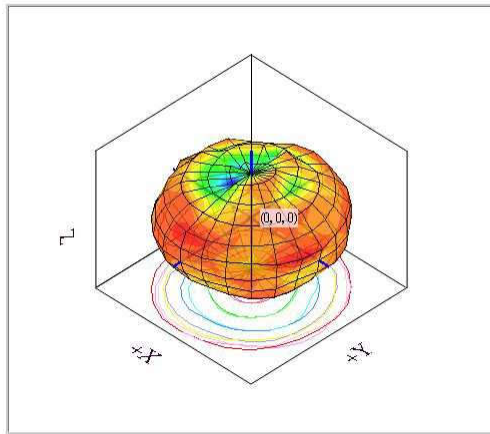


yz

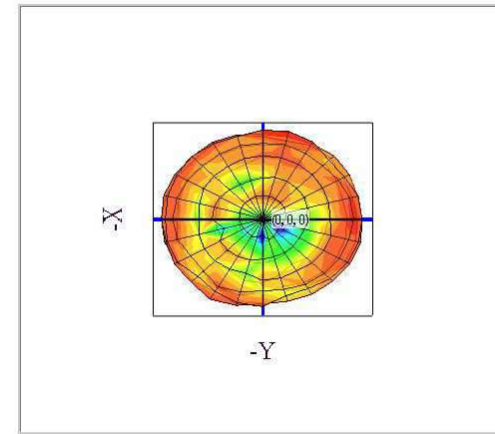


# 1920MHz Radiating Pattern

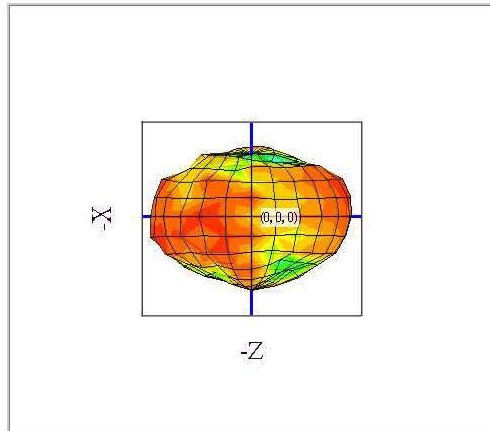
userdefine



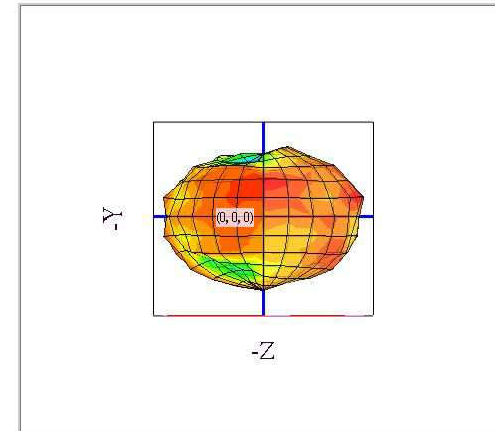
xy



xz



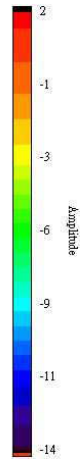
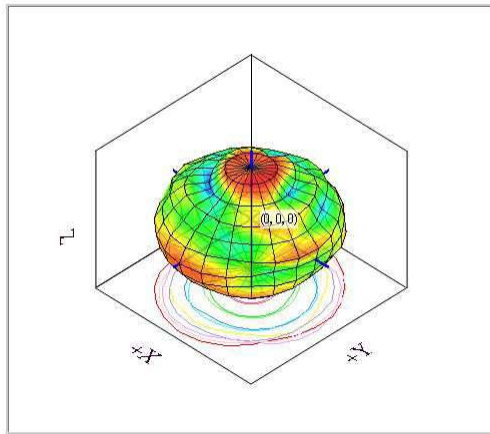
yz



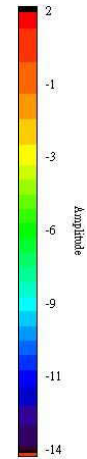
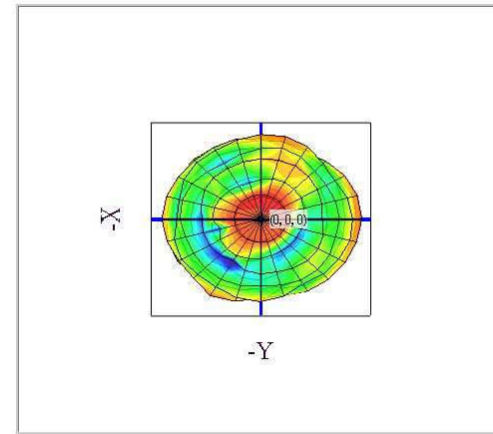


# 1990MHz Radiating Pattern

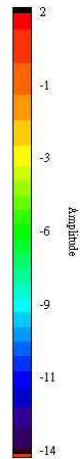
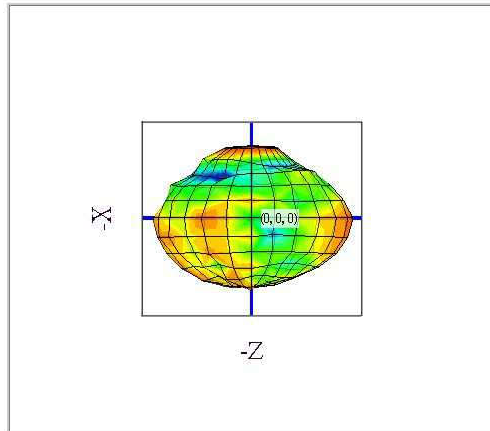
userdefine



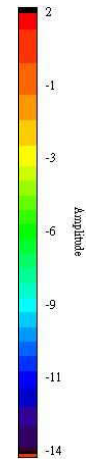
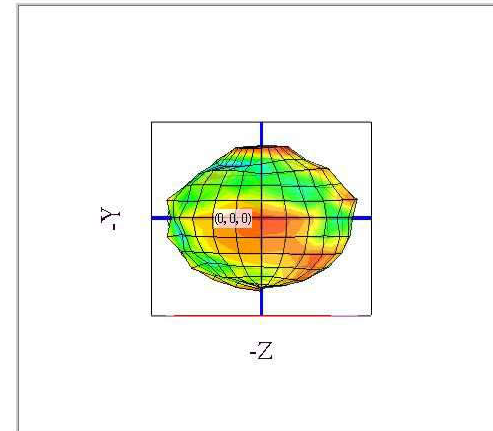
xy



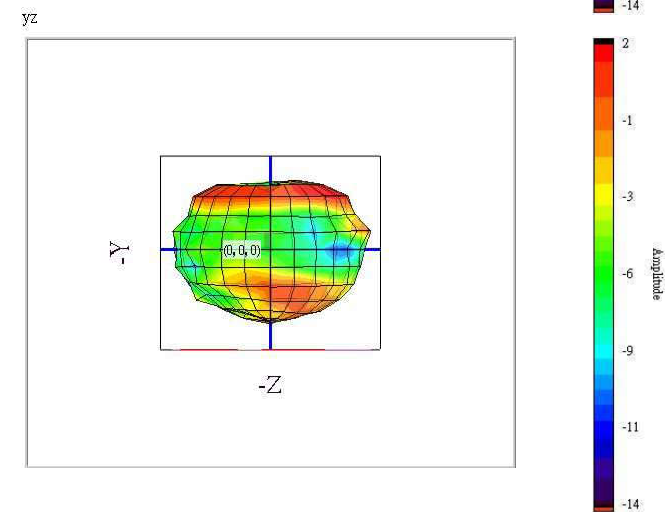
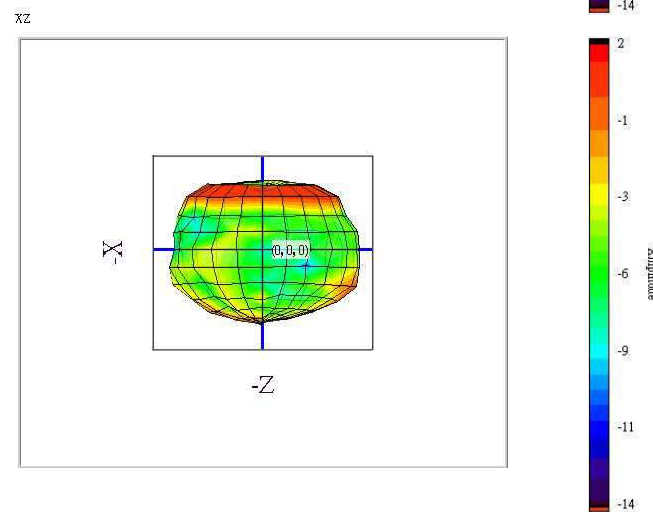
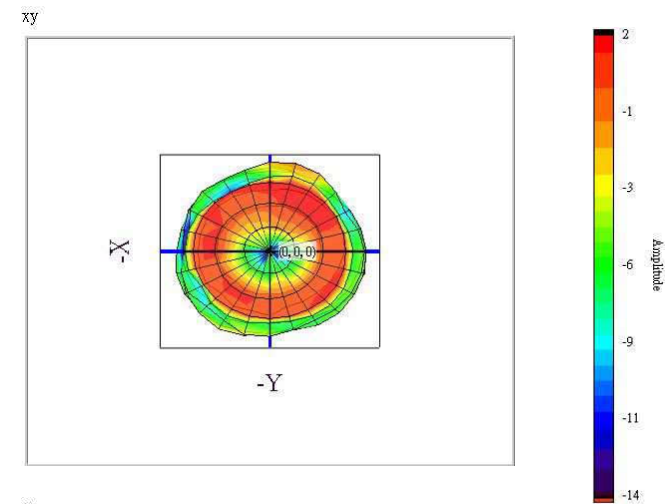
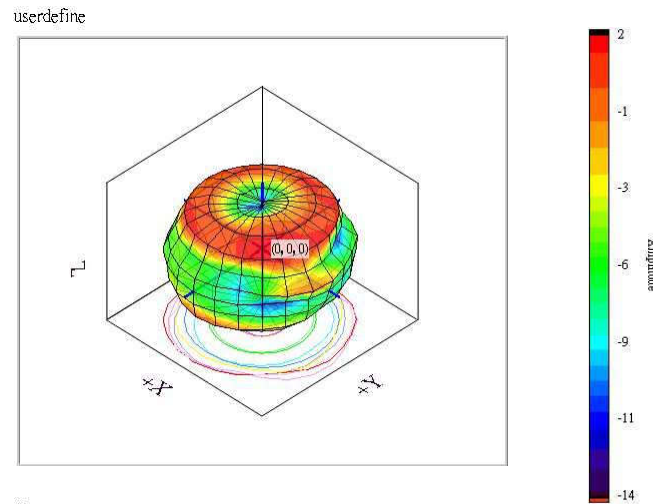
xz



yz

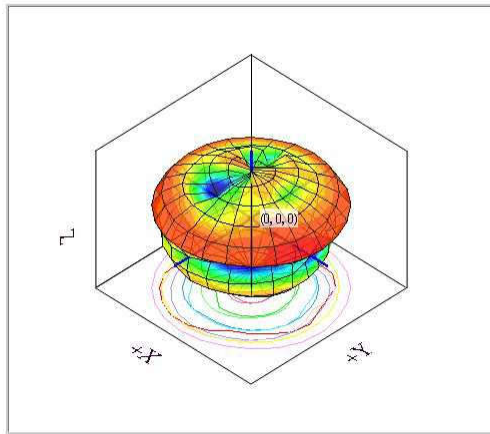


# 2110MHz Radiating Pattern

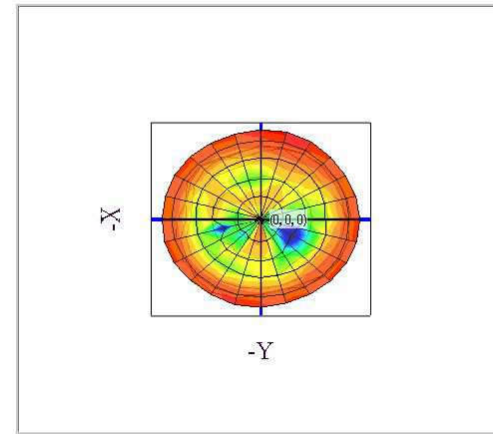


# 2140MHz Radiating Pattern

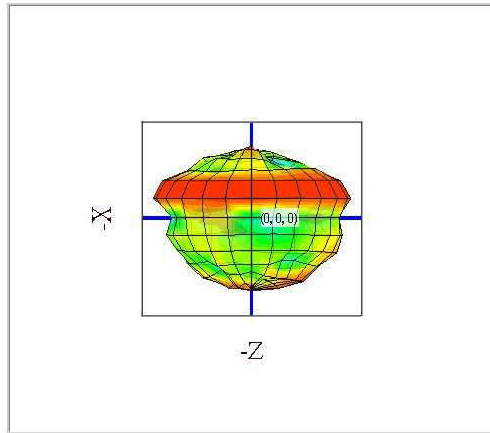
userdefine



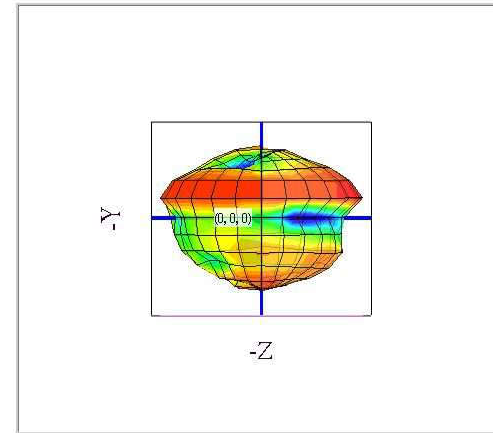
xy



xz

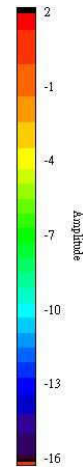
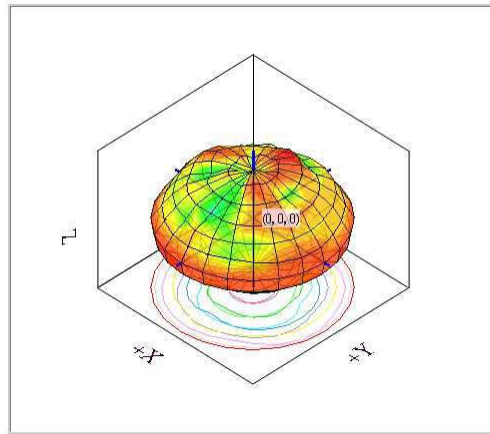


yz

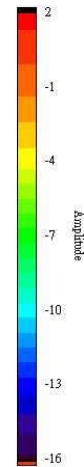
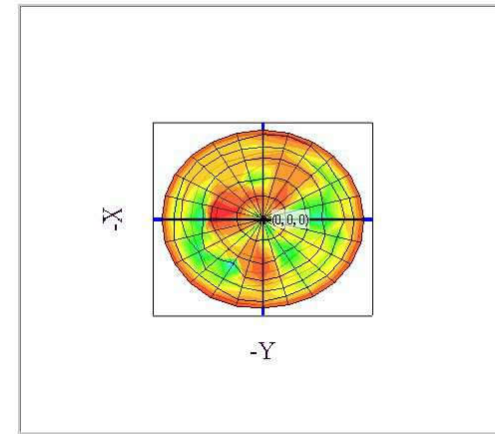


# 2170MHz Radiating Pattern

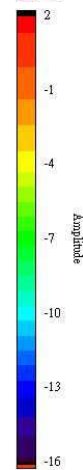
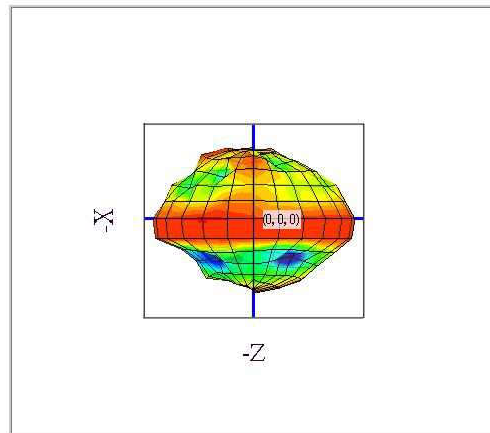
userdefine



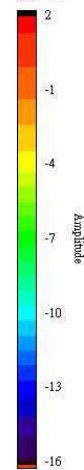
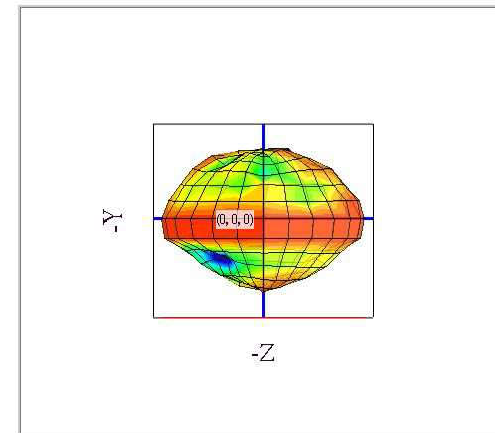
xy



xz

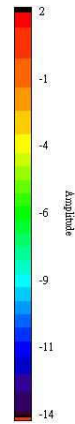
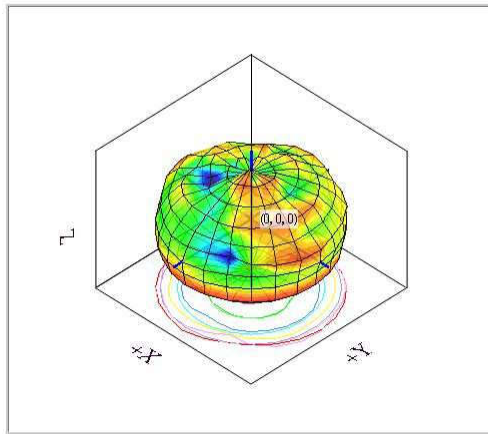


yz

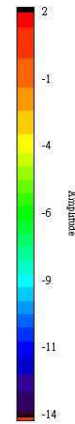
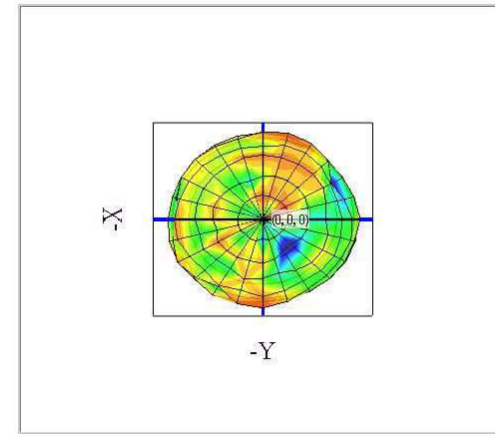


# 2300MHz Radiating Pattern

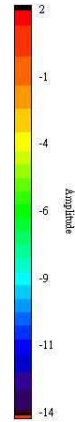
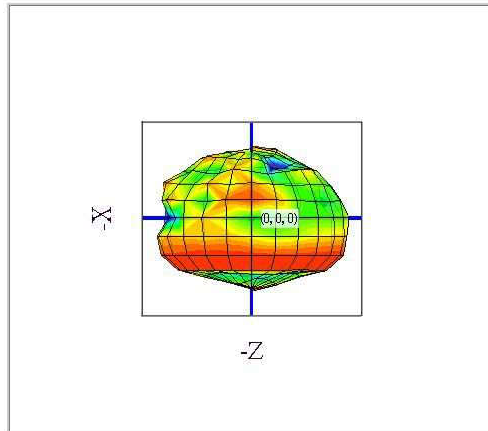
userdefine



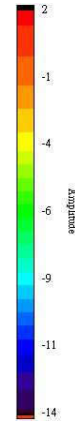
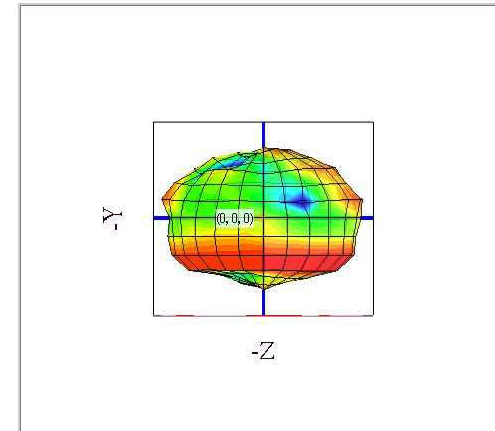
xy



xz

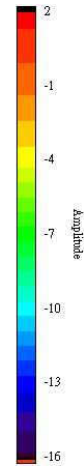
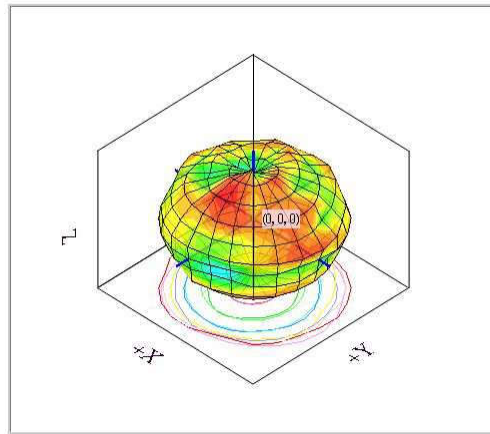


yz

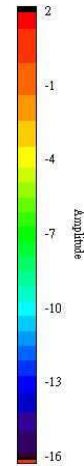
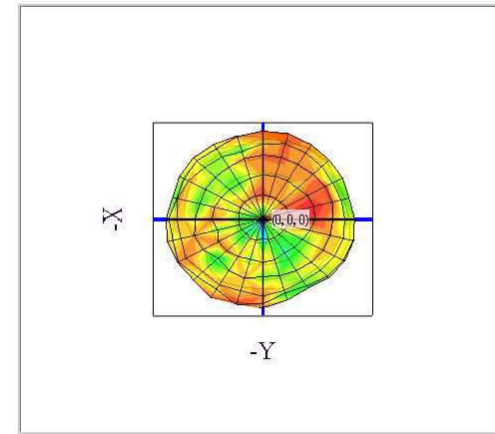


# 2400MHz Radiating Pattern

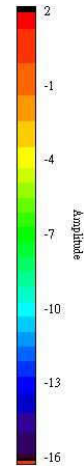
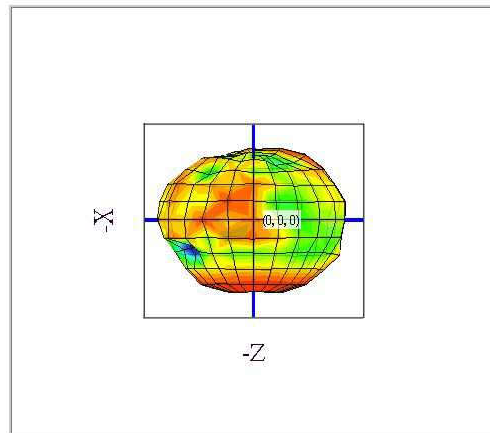
userdefine



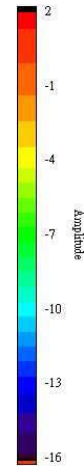
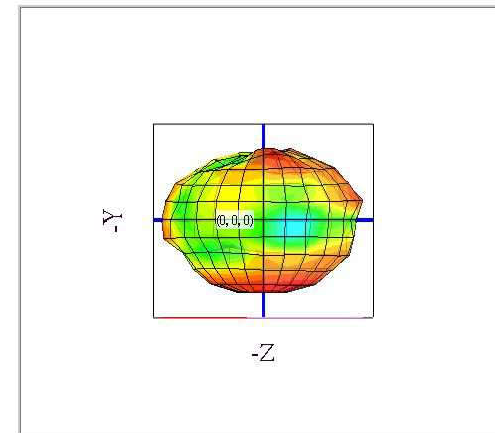
xy



xz

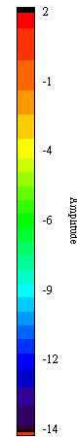
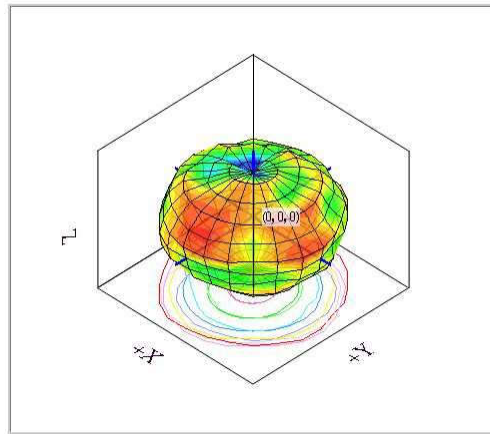


yz

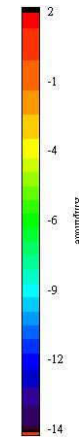
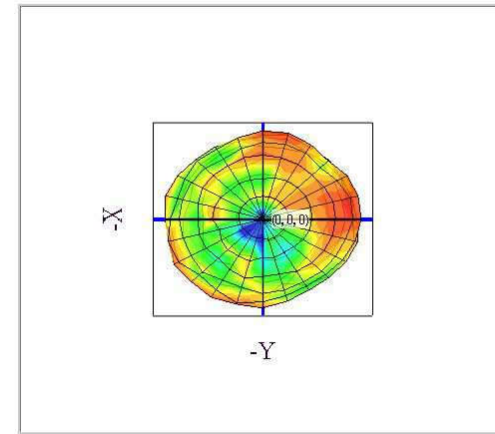


# 2500MHz Radiating Pattern

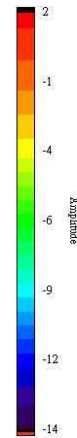
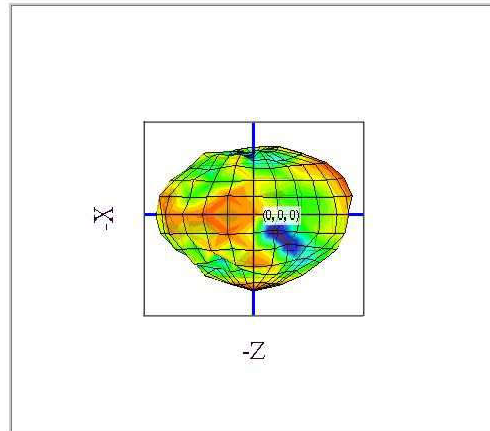
userdefine



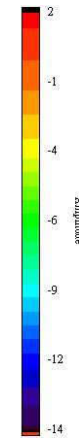
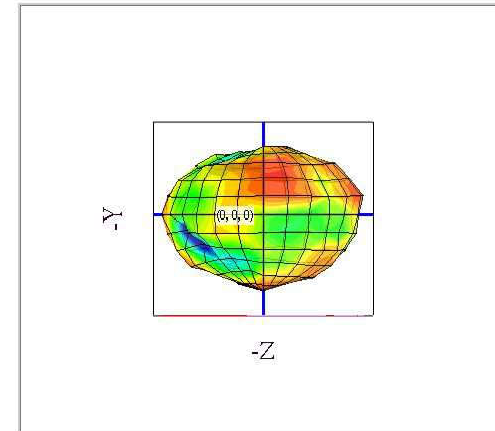
xy



xz

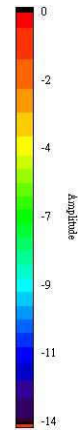
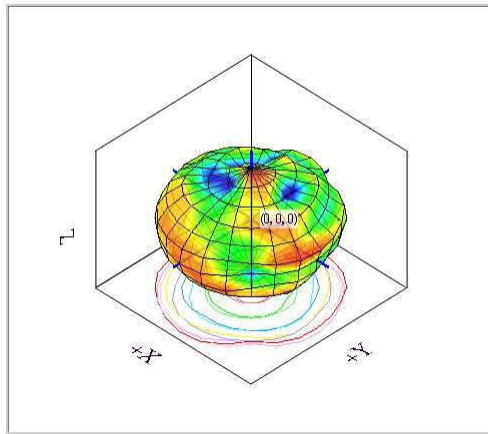


yz

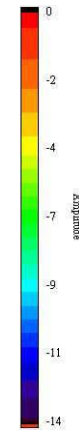
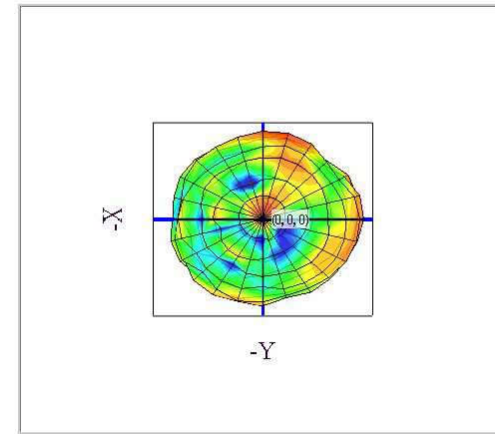


# 2570MHz Radiating Pattern

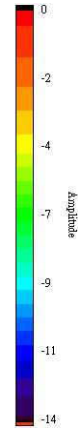
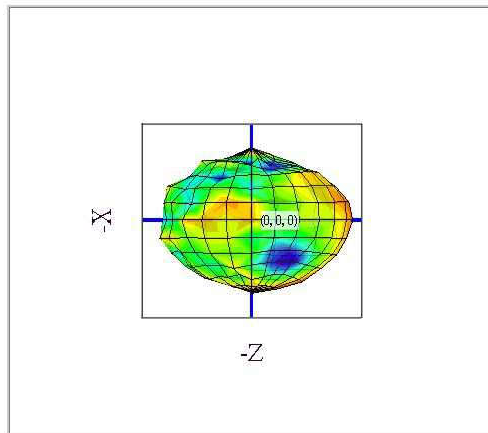
userdefine



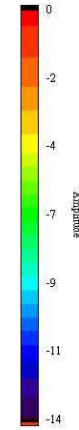
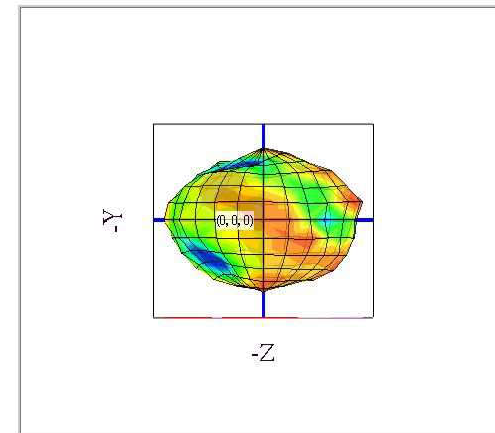
xy



xz



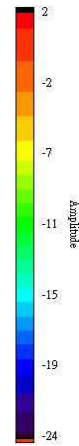
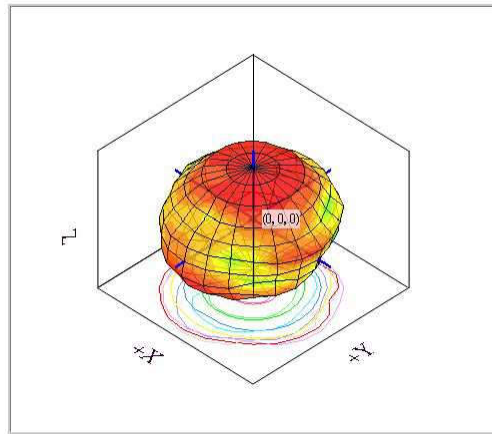
yz



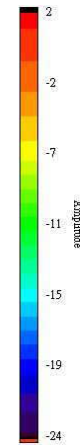
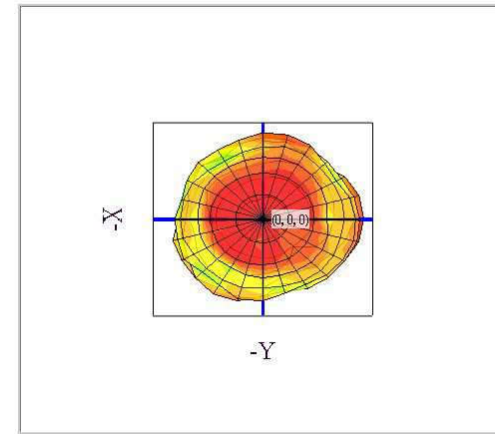


# 2620MHz Radiating Pattern

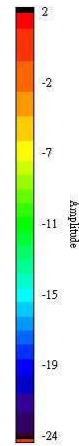
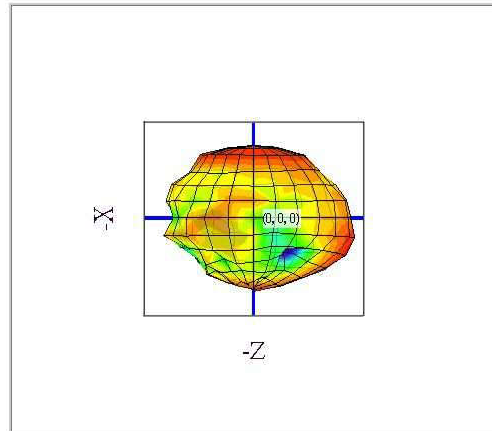
userdefine



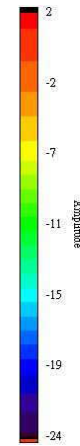
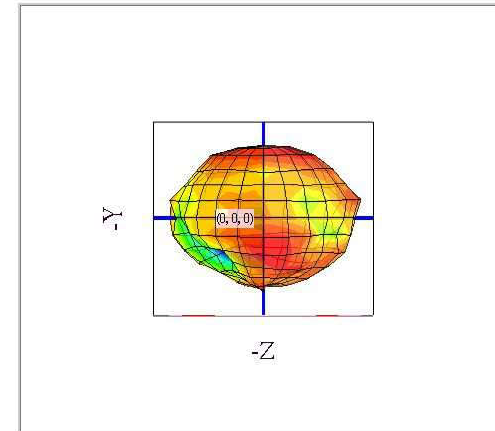
xy



xz

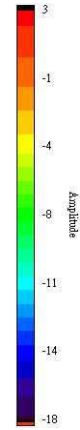
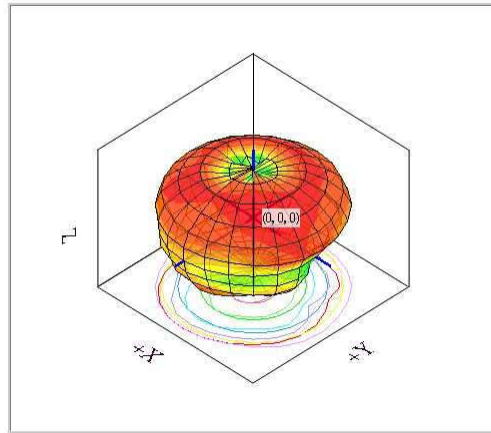


yz

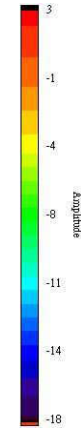
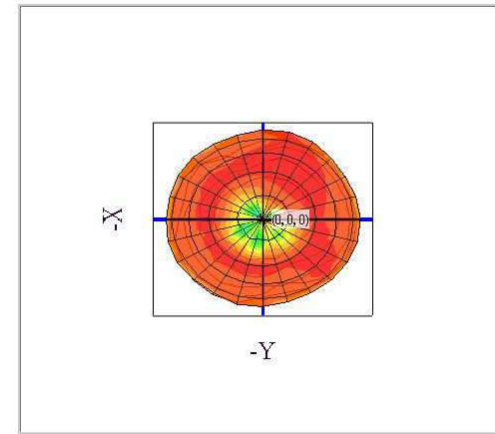


# 2690MHz Radiating Pattern

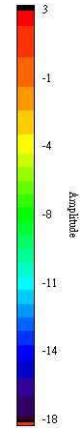
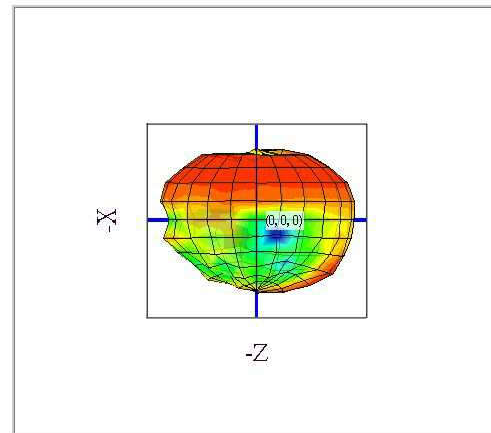
userdefine



xy



xz



yz

