

Antenna-Roof-2LG

Roof mounted antenna for MIMO LTE and GNSS



Features

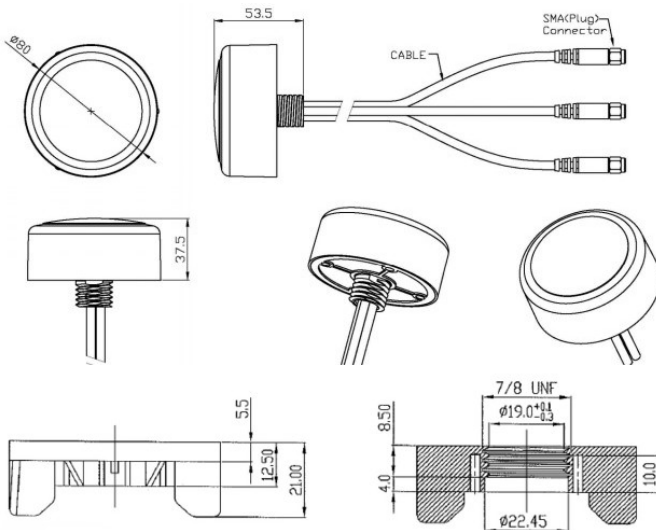
- MIMO LTE
- UMTS
- GSM
- GNSS



The Antenna-Roof-2LG is an omnidirectional combo antenna for signal enhancement in 4G, 3G and 2G networks and GNSS (GPS & GLONASS). It can be used for weather stations, water supplies, fleet management applications and much more. The antenna combines two LTE antennas and an active GPS antenna in a single housing and thus supports MIMO LTE, UMTS, GSM and also GNSS. The LTE's are linear and the active GNSS is right hand circular polarized. With protection level IP67 (waterproof) and with supported temperature range from -40 °C to +80 °C it is suited for indoor and outdoor usage in harsh environments. The antenna can be mounted permanently with screws and three included 3m cables allow a flexible positioning.

Frequencies

- 704 - 960MHz
- 1710 - 2690MHz
- 1575.42 MHz (GPS)
- 1602 MHz (GLONASS)



Specifications

Supported Technologies	GSM UMTS MIMO LTE GNSS
LTE Main Antenna	Frequencies: 704 - 960 MHz / 1710 - 2690 MHz Gain: 6.1 dBi @ 704 - 960 MHz / 5.47 dBi @ 1710 - 2690 MHz VSWR: <2.4 Impedance: 50 Ohm Radiation: Linear polarisation Max Power: 10W Connector: SMA male Cable: H100; 3m
LTE Secondary Antenna	Frequencies: 704 - 960 MHz / 1710 - 2690 MHz Gain: 4.91 dBi @ 704 - 960 MHz / 4.45 dBi @ 1710 - 2690 MHz VSWR: <2.4 Impedance: 50 Ohm Max Power: 10W Radiation: Linear polarisation Connector: SMA male Cable: H100; 3m
GNSS	Frequencies: 1575.42 MHz (L1, GPS, Galileo) / 1602 MHz (GLONASS) Type: Active Power: 3V - 5V; 12mA Gain: 25 dBi typ. VSWR: <2.0 Impedance: 50 Ohm Radiation: R.H.C.P Connector: SMA male Cable: RG174, 3m
Certifications	UN/ECE-R118 for RG-174 and H100 cables used
Protection level	IP67
Temperature range	-40 °C to +80 °C
Environment	Outdoor
Color	Black
Dimensions	80mm(Ø) x 41.5mm (H)
Mounting	Bulkhead mount with 0.8 inch threaded wing nut Mounting hole 22.45 mm Torque <30Nm
Order number	Antenna-Roof-2LG