

XN-241 XPERIENCE CONTROLLER

XN range

The nexmosphere nano range is the micro version of the compact range. Its ultra-small form factor and smart design make it an ideal controller to integrate in any virtual standalone application where space is a limiting factor. Connect any of the nexmosphere elements, such as presence sensors, pick-up detectors, touch buttons, or LEDs to build your own unique shopper journey – LED lighting that starts with a soft glow as soon as a shopper comes near, or a panel with the requested information that illuminates after pressing a touch button. These effects enrich your shopper journey.



Features

- 4x X-talk interface for easy sensor connectionn

X-talk interface

Connect a wide range of sensors, buttons, LEDs, or any of the nexmosphere elements to create your own unique shopper experience. Let your creativity be the limiting factor by combining the different elements specific to your application. Due to auto-configuration, there is no additional setup required for seamless operation. The X-talk interface also supports industry standard I/O devices, such as push buttons.

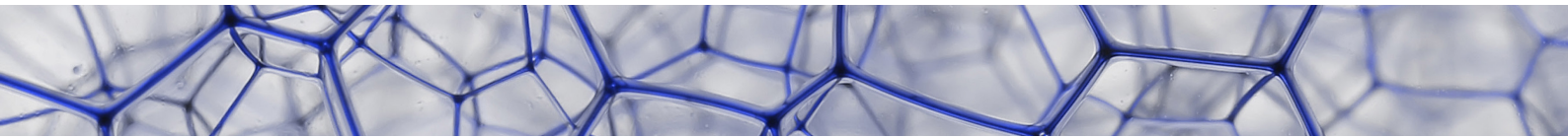
- Compatible with any of the nexmosphere elements
- Plug and smile interface
- Providing power to elements for easy system wiring
- Connect standard push buttons (NO/Normal Open)
- Switch external 3.3v LED (X-talk+ interface only)

Benefits

- Auto start-up and configuration for highly reliable standalone applications (24/7 operability)
- Automatic recovery to an attractive state after a period of inactivity
- Ultra-small form factor for easy installment in or behind displays
- Multiple data gathering functionalities offer unique insight into how your application is being used (DLX-200 X-talk data logger required)
- Download application-specific scripts to configure the controller according to your needs (*programmable versions only)

** XSP-100 X-talk programmer required*





XN-241 XPERIENCE CONTROLLER

Thermal specifications

Operating temperature: +10°C...+40°C/ +50°F ... +104°F
Storage temperature: -20°C...+50°C/ -4°F ... +122°F
Cooling: Passive cooling (no moving parts)

Electrical specifications

Operating voltage: 5VDC
Power consumption: 150mA
Max. system current: 1.8A
Passive cooling (no moving parts)

Standards and Certifications

Compliant with IEC 60950-1(ed.2);am1;am2
CE certificate
US/CAN certification in progress
RoHS compliant

Miscellaneous

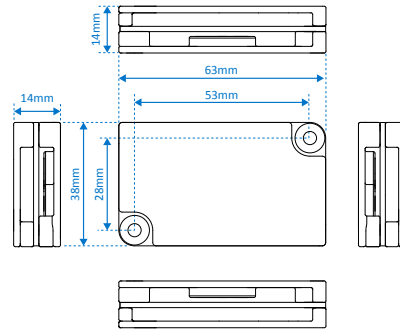
- Miniature housing with two mounting holes for secure fixing
- Build-in magnet for easy mounting on metal surfaces
- Both horizontal and vertical mounting allowed
- Diagnostic LED indicating potential issues
- Status LED indicating power and input/output operations
- year warranty (optional 3-year extended warranty available)

Packaging

Netto Weight: 31g
Items per carton 1 or 10 pcs

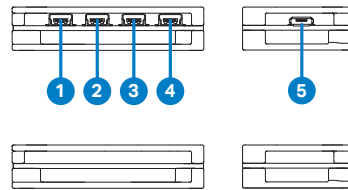
Mechanical dimensions

LxWxH: 63 x 38 x 14 mm
Screw fixation: 53 x 28 mm



Hardware interfaces

1. X-talk+ socket 1
2. X-talk+ socket 2
3. X-talk+ socket 3
4. X-talk+ socket 4
5. 5V Power input Micro USB



Ordering information

Product ID **Description**

XN-241 Xperience controller, 4x X-talk (programmable)

Quantity

1 pc

Nexmosphere

High Tech Campus 10 (M μ building)
5656 AE Eindhoven • The Netherlands

T +31 40 240 7070
E sales@nexmosphere.com

© 2017 Nexmosphere. All rights reserved. v1.0 / 02-17
All content contained herein is subject to change without prior notice.