

XR ANTENNA DRIVER

XR range

The nexmosphere XR-Range offers a range of wireless pick-up solutions. Although the RFID technology is not new, the way the XR-Range offers ease of use in the shopper experience is a true innovation. Use the standard market-available RFID tags to earmark your product. When the product is close to the antenna, it will be registered and can trigger any event on the connected Xperience controller, such as a video, to start or an audio track to play.



The XR-antenna driver is the brain of the RFID system. The signals of the connected XR-Antenna are processed in the driver and will generate the triggers for the Xperience controller. The XR-antenna driver works seamlessly with all XR-antennas without the need for any manual configuration or setup due to the auto-configure feature.

Features

- Wireless pick-up detection driver
- Small form factor

XR-Antenna Interface

The antenna driver can be easily connected to any of the nexmosphere Xperience controllers using the X-talk interface. All settings of the XR-Antenna driver are programmable on the controller side, enabling a seamless integration in your application. Connect any of the XR-antennas to the driver to read the RFID tag.

- Plug and smile interface
- Compatible with any nexmosphere Xperience controller
- Powered and programmable by the nexmosphere Xperience controller for ease of use

Wireless pickup detection

The antenna registers the pick-up of the merchandise (with the RFID tag) as well as putting it back on the shelf (place-down). Both events can be used as triggers on the Xperience controller, for example, to start a video or illuminate a string of LEDs. The Xperience controller can also run statistics, showing you which products are often picked and which are the less preferred ones, providing you a valuable insight into shopping behavior.

- Pick-up and place-down registration
- Highly responsive
- Compatible with all nexmosphere RFID tags

RFID tag

The nexmosphere RFID tag is a low-cost ultra thin sticker (foil) with an onboard chip, similar to the labels used for merchandise security. The RFID tags can have different identification numbers enabling the Xperience controller to identify the product that is picked.

- No mechanical moving parts that can break by intense use due to wireless detection
- Low cost tag
- Multiple tag detection (up to 4 RFID tags simultaneously)

Benefits

- Multiple data gathering functionalities of the Xperience controller offer a unique insight into how your application is being used
- Availability of a wide range of differently sized antennas
- Auto-calibration and autostart for highly reliable applications (24/7)

XR ANTENNA DRIVER

Thermal specifications

Operating temperature: +10°C...+40°C/ +50°F ... +104°F
Storage temperature: -20°C...+50°C/ -4°F ... +122°F
Cooling: Passive cooling (no moving parts)

Electrical specifications

Operating voltage: 5V DC (via X-talk interface)
Power consumption: 100mA

Standards and Certifications

Compliant with IEC 60950-1(ed.2);am1;am2
CE certificate
US/CAN certification in progress
RoHS compliant

Miscellaneous

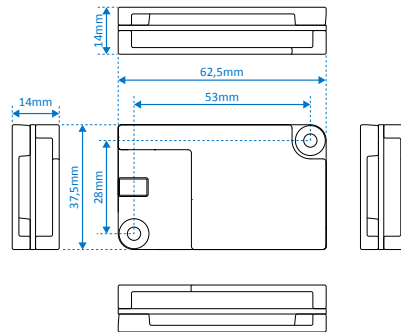
- Status LED for visual feedback
- 1-year warranty (optional 3-year extended warranty available)

Packaging

Items per carton 1 or 10 pcs

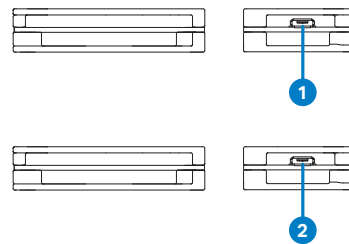
Mechanical dimensions

LxWxH: 62,5 x 37,5 x 14 mm
Screw fixation: 53 x 28 mm



Hardware interfaces

1. Antenna connecton
2. X-talk output



Ordering information

Product ID	Description	Quantity
XR-DR1	XR Antenna driver (incl. housing)	1 pc
XR-DRO	XR Antenna driver (bare board)	1 pc