



XR ANTENNA CIRCULAR SHAPE

XR range

The nexmosphere XR-Range offers a range of wireless pick-up solutions. Although the RFID technology is not new, the way the XR-Range offers ease of use in the shopper experience is a true innovation. Use the standard market-available RFID tags to earmark your product. When the product is close to the antenna, it will be registered and can trigger any event on the connected Xperience controller, such as a video, to start or an audio track to play.

The XR-antenna is an ultra slim, easy to build in RFID antenna. It can be hidden behind a variety of materials like wood, acrylic, or even cardboard. Choose your detection surface size and there will be an antenna that fits your application. Use the XR-antenna driver to connect the antenna to any of the nexmosphere Xperience controllers.

Features

- Ultra-thin form factor
- Wireless pick-up detection surface

XR-Antenna Interface

The antenna driver can be easily connected to any of the nexmosphere Xperience controllers using the X-talk interface. All settings of the XR-Antenna driver are programmable on the controller side, enabling a seamless integration in your application. Connect any of the XR-antennas to the driver to read the RFID tag.

- Plug and smile interface
- Compatible with any nexmosphere antenna interface
- Powered and programmable by the nexmosphere Xperience controller for ease of use

Wireless pickup detection

The antenna registers the pick-up of the merchandise (with the RFID tag) as well as putting it back on the shelf (place-down). Both events can be used as triggers on the Xperience controller, for example, to start a video or illuminate a string of LEDs. The Xperience controller can also run statistics, showing you which products are often picked and which are the less preferred ones, providing you a valuable insight into shopping behavior.

- Pick-up and place-down registration
- Highly responsive
- Compatible with all nexmosphere RFID tags

RFID tag

The nexmosphere RFID tag is a low-cost ultra thin sticker (foil) with an onboard chip, similar to the labels used for merchandise security. The RFID tags can have different identification numbers enabling the Xperience controller to identify the product that is picked.

- No mechanical moving parts that can break by intense use due to wireless detection
- Low cost tag
- Multiple tag detection (up to 4 RFID tags simultaneously)

Benefits

- Multiple data gathering functionalities of the Xperience controller offer a unique insight into how your application is being used
- Availability of a wide range of differently sized antennas
- Auto-calibration and autostart for highly reliable applications (24/7)

XR ANTENNA CIRCULAR SHAPE

Thermal specifications

Operating temperature: +10°C...+40°C/ +50°F ... +104°F

Storage temperature: -20°C...+50°C/ -4°F ... +122°F

Mounting specifications

- Keep away from metal objects or surfaces
- Antenna spacing of minimum 200 mm is advised
- Maximum material thickness 10–30 mm depending on the material
- Works on glass, acrylic, wood, cardboard, stone, and non-metallic materials

Standards and Certifications

Compliant with IEC 60950-1(ed.2);am1;am2

CE certificate

US/CAN certification in progress

RoHS compliant

Miscellaneous

- Customized layouts and board shapes available on request

Packaging

Netto Weight: 100g

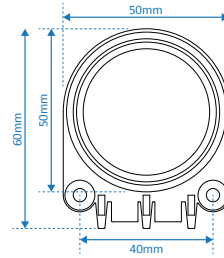
Items per carton 1, 10 or 50 pcs

Mechanical dimensions

XR-C05

LxWxH: 50 x 60 mm

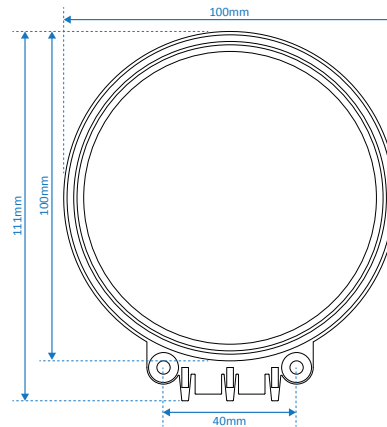
Screw fixation: 40 mm



XR-C10

LxWxH: 100 x 111 x 1,6 mm

Screw fixation: 40 mm



Ordering information

Product ID	Description	Netto weight	Quantity
XR-C05	RFID antenna circular 50mm	000g	1 pc
XR-C10	RFID antenna circular 100mm	000g	1 pc

Nexmosphere

High Tech Campus 10 (Mμ building)
5656 AE Eindhoven • The Netherlands

T +31 40 240 7070
E sales@nexmosphere.com

© 2017 Nexmosphere. All rights reserved. v1.0 / 02-17
All content contained herein is subject to change without prior notice.