

## X-DOT X PICK-UP & SECURITY

---

### XD range

The nexmosphere X-Dot range offers a variety of functions in a ultra small form factor. It's unique cable design offers the flexibility of both bottom and side feed, to use the elements directly on a surface or to hide the cable under the X-Dot. It is simple to install, use and maintain due to the high quality finishing and non-marking double sided tape.

The X-Dot X is a pick-up detector and can be used as active security device as well. When a product is lifted the X-Dot X registers the movement and can trigger any event on the connected Xperience controller, such as a video to start or a audio track to play.



### Features

- Ultra small form factor
- Pick-up detection sensor
- Active product security

### X-talk

The X-Dot can be easily connected to any of the nexmosphere Xperience controllers using the X-talk interface. All settings of the X-dot are programmable on the Xperience controller side, enabling a seamless integration in your application.

- Plug and smile interface
- Compatible with any nexmosphere Xperience controller
- Powered and programmable by the nexmosphere Xperience controller for ease of use

### Pickup detection

The sensor registers a pick-up of the merchandise as well as when it is put back on the shelf (place-down). Both events can be used as triggers on the Xperience controller, for example, to start a video or illuminate a string of LEDs. The Xperience controller can also run statistics, showing you those products that are often picked and those that are the less preferred ones, providing you a valuable insight into shopping behavior.

- Programmable sensitivity on the Xperience controller
- Pick-up and place-down registration
- Highly responsive
- False detection eliminated (multiple sensor shake)

### Security

The alarm gets triggered if the merchandise is removed; cables are cut or removed from the Xperience controller. The micro-optical sensor has no moving parts eliminating false alarm caused by most commonly used micro-switches.

- No mechanical moving parts that can break by intense use
- Easy to setup and maintain (plug and secure)
- Status LED clearly indicates alarm status (programmable/dimmable on Xperience controller)

### Benefits

- Unique cable connection (bottom feed or side feed) enables invisible cable installation
- Securely mounts on any flat surface, horizontal, vertical or angled
- Light & flexible cable allows customers to experience the true weight and feel of the merchandise
- Easy removable non-marking double sided tape
- Multiple data gathering functionalities on Xperience controller offer unique insight in how your application is being used
- Auto calibration & Auto start for highly reliable applications (24/7)

## X-DOT X PICK-UP & SECURITY

### Thermal specifications

Operating temperature: +10°C...+40°C/ +50°F ... +104°F  
 Storage temperature: -20°C...+50°C/ -4°F ... +122°F

### Electrical specifications

Operating voltage: 5VDC (via X-talk interface)  
 Power consumption: 100mA

### Standards and Certifications

Compliant with IEC 60950-1(ed.2);am1;am2  
 CE certificate  
 US/CAN certification in progress  
 RoHS compliant

### Miscellaneous

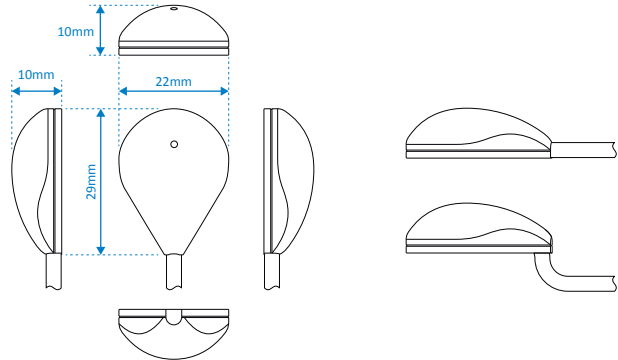
- Three cable lengths available (60/120/180cm)
- Custom colors and cable length available on request
- 1 year warranty (optional 3 year extended warranty available)

### Packaging

Items per carton 1, 10 or 50 pcs

### Mechanical dimensions

LxWxH: 29 x 22 x 10 mm  
 Fixation: Double sides adhesive tape



### Ordering information

Product ID	Description	Netto weight	Quantity
XDW-X34	X-Dot X Pick-up & Security, White, 60cm	12g	1 pc
XDW-X35	X-Dot X Pick-up & Security, White, 120cm	18g	1 pc
XDW-X36	X-Dot X Pick-up & Security, White, 180cm	24g	1 pc
XDW-X24	X-Dot X Security only, White, 60cm	12g	1 pc
XDW-X25	X-Dot X Security only, White, 120cm	18g	1 pc
XDW-X26	X-Dot X Security only, White, 180cm	24g	1 pc
XDW-X14	X-Dot X Pick-up only, White, 60cm	12g	1 pc
XDW-X15	X-Dot X Pick-up only, White, 120cm	18g	1 pc
XDW-X16	X-Dot X Pick-up only, White, 180cm	24g	1 pc