



XD-C3 X-DOT COLOR

XD range

The nexmosphere X-Dot range offers a variety of functions in a ultra small form factor. It's unique cable design offers the flexibility of both bottom and side feed, to use the elements directly on a surface or to hide the cable under the X-Dot. It is simple to install, use and maintain due to the high quality finishing and non-marking double sided tape.

The X-Dot Color is the ideal element to give visual guidance on display. Preselect a color with the nexmosphere Xperience controller matching exactly your presentations color scheme. From smooth glow to a high attention flashlight, X-Dot Color covers it all.



Features

- Ultra small form factor
- High brightness LED as visual indicator
- Wide angle optic
- Mono color LED, user selectable (16 million colors)

Benefits

- Unique cable connection (bottom feed or side feed) enables invisible cable installation
- Securely mounts on any flat surface, horizontal, vertical or angled
- Easy removable non-marking double sided tape

X-talk

The X-Dot can be easily connected to any of the Nexmosphere Xperience controllers using the X-talk interface. All settings of the X-dot are programmable on the Xperience controller side, enabling a seamless integration in your application.

- Plug and smile interface
- Compatible with any nexmosphere Xperience controller
- Powered and programmable by nexmosphere Xperience controller for ease of use

LED light

The high brightness LED offers a great visual guidance on the shelf space. The LED can be programmed at system startup to any of the 16 million desired colors using the Xperience controller. The onboard LED drivers enables a smooth dimming from 100-0%. Choose from a wide pallet of different pulsing/glowing patterns to draw the attention to the right spot.

- Smooth flicker free 12 bit dimming control
- Any desired color programmable by Xperience controller
- Selectable glowing/pulsing patterns at variable speed



XD-C3 X-DOT COLOR

Thermal specifications

Operating temperature: +10°C...+40°C/ +50°F ... +104°F
Storage temperature: -20°C...+50°C/ -4°F ... +122°F

Electrical specifications

Operating voltage: 5VDC (via X-talk interface)
Power consumption: 70mA

Standards and Certifications

Compliant with IEC 60950-1(ed.2);am1;am2
CE certificate
US/CAN certification in progress
RoHS compliant

Miscellaneous

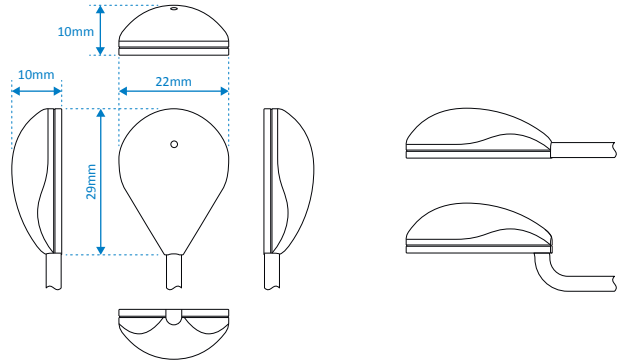
- Three cable lengths available (60/120/180cm)
- Custom colors and cable length available on request
- 1 year warranty (optional 3 year extended warranty available)

Packaging

Items per carton 1, 10 or 50 pcs

Mechanical dimensions

LxWxH: 29 x 22 x 10 mm
Fixation: Double sides adhesive tape



Ordering information

Product ID	Description	Netto weight	Quantity
XDW-C34	X-Dot Color LED (one color), 60cm	12g	1 pc
XDW-C35	X-Dot Color LED (one color), 120cm	18g	1 pc
XDW-C36	X-Dot Color LED (one color), 180cm	24g	1 pc

Nexmosphere

High Tech Campus 10 (Mμ building)
5656 AE Eindhoven • The Netherlands

T +31 40 240 7070
E sales@nexmosphere.com

© 2017 Nexmosphere. All rights reserved. v1.0 / 02-17
All content contained herein is subject to change without prior notice.