

XL-SNAPPER ACTIVE SECURITY & PICKUP (CURVED)

XL range

The nexmosphere XL-Snapper is a unique product that displays larger or heavier products out of the box like a tablet or a kitchen blender. It is simple to install, use, and maintain due to the high-quality finishing and non-marking double sided tape.

The XL-Snapper X is a pickup detector and can be used as an active security device as well. When a product is lifted, the XL-Snapper X registers the movement and can trigger any event on the connected Xperience controller, such as a video, to start or an audio track to play.



Features

- Strongest magnet holder available in industry
- Pick-up detection sensor
- Active product security
- Curved cover to support round-shaped merchandise

X-talk

The XL-Snapper can be easily connected to any of the nexmosphere Xperience controllers using the X-talk interface. All settings of the XL-Snapper are programmable by the controller, enabling a seamless integration in your application.

- Plug and smile interface
- Compatible with any nexmosphere Xperience controller
- Powered and programmable by the nexmosphere Xperience controller for ease of use

Pickup detection

The sensor registers a pick-up of the merchandise as well as when it is put back on the shelf (place-down). Both events can be used as triggers on the Xperience controller, for example, to start a video or illuminate a string of LEDs. The Xperience controller can also run statistics, showing you those products that are often picked and those that are the less preferred ones, providing you a valuable insight into shopping behavior.

- Programmable sensitivity on the Xperience controller
- Pick-up and place-down registration
- Highly responsive
- False detection eliminated (multiple sensor shake)

Security

The alarm gets triggered if the merchandise is removed; cables are cut or removed from the Xperience controller. The micro-optical sensor has no moving parts eliminating false alarm caused by most commonly used micro-switches.

- No mechanical moving parts that can break by intense use
- Easy to setup and maintain (plug and secure)
- Status LED clearly indicates alarm status (programmable/dimmable on Xperience controller)

Benefits

- 4 strong neodymium magnets ensure that the product always returns to its original position
- Securely mounts on any flat surface, horizontal, vertical, or angled
- Light and flexible cable allows customers to experience the real weight and feel of the merchandise
- Easily removable non-marking double-sided tape
- Multiple data gathering functionalities on the Xperience controller offer an unique insight into how your application is being used
- Auto-calibration and autostart for highly reliable applications (24/7)

XL-SNAPPER ACTIVE SECURITY & PICKUP (CURVED)

Thermal specifications

Operating temperature: +10°C...+40°C/ +50°F ... +104°F
Storage temperature: -20°C...+50°C/ -4°F ... +122°F

Electrical specifications

Operating voltage: 5V DC (via X-talk interface)
Power consumption: 100mA

Standards and Certifications

Compliant with IEC 60950-1(ed.2);am1;am2
CE certificate
US/CAN certification in progress
RoHS compliant

Miscellaneous

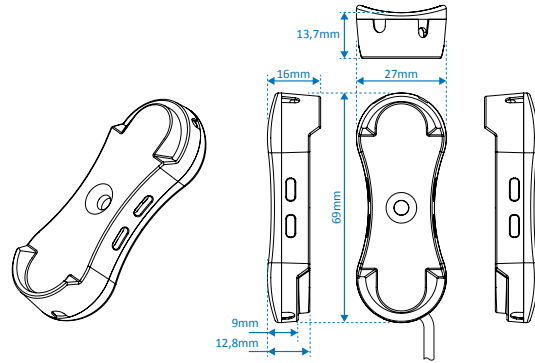
- 3 cable lengths available (60/120/180 cm)
- Custom colors and cable length available on request
- 1 year warranty (optional 3-year extended warranty available)

Packaging

Items per carton 1, 10 or 50 pcs

Mechanical dimensions

LxWxH: 69 x 27 x 13,7 mm
Screw fixation: Double sides adhesive tape



Ordering information

Product ID Description

XLCW-X34 XL-Snapper Pick-up & Security, curved cover, White, 60cm
XLCW-X34 XL-Snapper Pick-up & Security, curved cover, White, 120cm
XLCW-X34 XL-Snapper Pick-up & Security, curved cover, White, 180cm
XLCW-X24 XL-Snapper Security only, curved cover, White, 60cm
XLCW-X24 XL-Snapper Security only, curved cover, White, 120cm
XLCW-X24 XL-Snapper Security only, curved cover, White, 180cm
XLCW-X14 XL-Snapper Pick-up only, curved cover, White, 60cm
XLCW-X14 XL-Snapper Pick-up only, curved cover, White, 120cm
XLCW-X14 XL-Snapper Pick-up only, curved cover, White, 180cm

Netto weight

Quantity

40g	1 pc
46g	1 pc
52g	1 pc
40g	1 pc
46g	1 pc
52g	1 pc
40g	1 pc
46g	1 pc
52g	1 pc