

## XL-SNAPPER PASSIVE SECURITY (CURVED)

---

### XL range

The nexmosphere XL-Snapper is a unique product that displays larger or heavier products out of the box like a tablet or a kitchen blender. It is simple to install, use, and maintain due to the high-quality finishing and non-marking double sided tape.

### Features

- Small form factor

### Benefits

- Your merchandise always correctly displayed
- Super strong, hidden by your merchandise
- Merchandise can stay fixed on snapper when moving positions
- 4 strong neodymium magnets ensure that the product always returns to its original position
- Securely mounts on any flat surface, horizontal, vertical, or angled
- 5mm screw hole for surface mounting
- Light and flexible cable allows customers to experience the real weight and feel of the merchandise
- Easily removable non-marking double-sided tape

### Miscellaneous

- 2 colors standard available (white/grey/black/transparent)
- Two strengths available (standard and heavy)
- Custom colors and cable length available on request

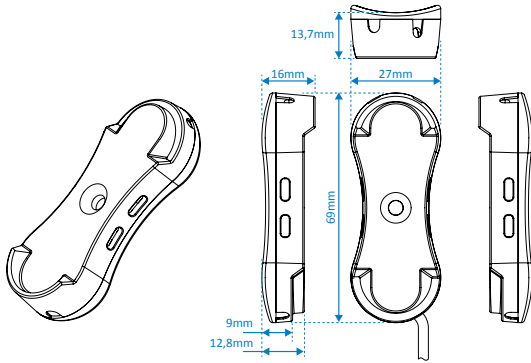


## XL-SNAPPER PASSIVE SECURITY (CURVED)

### Mechanical dimensions

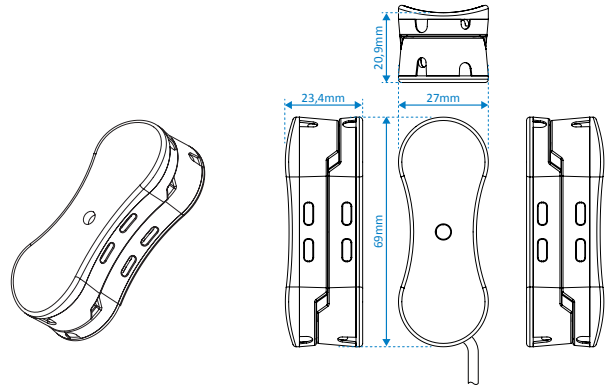
#### *xl-snapper single*

LxWxH: 69 x 27 x 16 mm  
 Fixation: 5 mm screw / double-sided tape



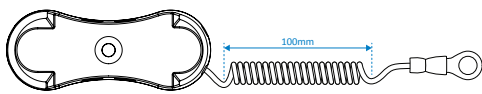
#### *xl-snapper double*

LxWxH: 69 x 27 x 23,4 mm  
 Fixation: 5 mm screw / double-sided tape



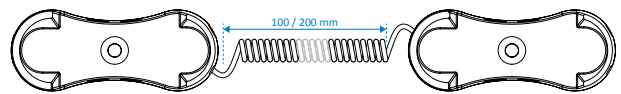
#### *xl-snapper single ring-end*

LxWxH: 69 x 27 x 13,7 mm  
 Cable length: 100 mm  
 Fixation: 5 mm screw / double-sided tape



#### *xl-snapper double spiral cable*

LxWxH: 69 x 27 x 21,1 mm  
 Cable length: 100 or 200 mm  
 Fixation: 5 mm screw / double-sided tape



### Ordering information

Product ID	Description	Netto weight	Quantity
XLCW-N0S	XL-Snapper single, curved cover, standard strength, White	20g	1pc
XLCG-N0S	XL-Snapper single, curved cover, standard strength, Grey	20g	1pc
XLCW-N0H	XL-Snapper single, curved cover, heavy strength, White	24g	1pc
XLCG-N0H	XL-Snapper single, curved cover, heavy strength, Grey	24g	1pc
XLCW-R1S	XL-Snapper single, 100mm spiral cable ring-end, curved cover, standard strength, White	30g	1pc
XLCG-R1S	XL-Snapper single, 100mm spiral cable ring-end, curved cover, standard strength, Grey	30g	1pc
XLCW-R1H	XL-Snapper single, 100mm spiral cable ring-end, curved cover, heavy strength, White	34g	1pc
XLCG-R1H	XL-Snapper single, 100mm spiral cable ring-end, curved cover, heavy strength, Grey	34g	1pc
XLCW-X1S	XL-Snapper double, 100mm spiral cable, curved cover, standard strength, White	47g	1pc
XLCG-X1S	XL-Snapper double, 100mm spiral cable, curved cover, standard strength, Grey	47g	1pc
XLCW-X1H	XL-Snapper double, 100mm spiral cable, curved cover, heavy strength, White	56g	1pc
XLCG-X1H	XL-Snapper double, 100mm spiral cable, curved cover, heavy strength, Grey	56g	1pc
XLCW-X2S	XL-Snapper double, 200mm spiral cable, curved cover, standard strength, White	59g	1pc
XLCW-X2H	XL-Snapper double, 200mm spiral cable, curved cover, heavy strength, White	68g	1pc